

RESPONSE TO
Huawei Technologies

EUROPE – Global Furniture Catalogue

September 30th , 2016

Request for Proposal



Introduction

This document contains the **Steelcase Global Furniture Catalogue**. It is mandatory that it be read and used in conjunction with the Contracting and Procurement processes detailed within the Contracting and Procurement chapter.

The products illustrated on the following pages have been screened to ensure they meet ergonomic needs of users, provide enduring safety, quality and durability and project the Steelcase brand.

It is critical to understand that not all versions of the products which appear in the this catalogue may be suitable for use within all **Huawei Technologies offices** or within every project. Therefore, it is the responsibility of the specifier to assess specific project use and functional requirements along with the catalogue. Additionally, procurement of furniture requires use of the Furniture Specification Templates for each product to ensure that the correct version of each product are selected to meet the global requirements as well as the local project needs.

Only products which appear in the Steelcase Global Furniture Catalogue can be purchased for Huawei Projects. Any exceptions are product categories and product lines which are considered specialty use or out of this catalogue will be escalated to the Huawei's project teams. The categories contained within the catalogue are shown to the right

The regions identified for each product identify the regions where this product can be sold. This may not correlate to the region where the product is manufactured. The actual lead time for availability of each product must be obtained at the time of request.



Core Space

Work Points

- Bench Workstation
- Temporary Workstations
- L-Shaped Workstations
- Manager Office
- Quiet Rooms

Meeting and Collaboration Core Space

Meeting Spaces

- Huddle Space – Small
- Huddle Space – Large
- Internal Meeting Room
- Training Room
- Video Conference Room

Work Support Spaces

- Compactus Room
- Lockers
- Pedestals

Support Spaces

- Canteen
- Reception Area

Task & Visitor Seating

Catalogue Content

Steelcase Global Catalogue is divided into 5 different regions.

1. **China**
2. **Asia Pacific**
3. **Europe**
4. **Middle East**
5. **Americas**

We offer difference product ranges in different regions. Each region will propose it's local and global selections of furniture that will meet the closest requirements to Huawei's Office Playbook.

Details of each "space category" types proposed are described and divided into 5 areas:

- I. WORK POINTS**
- II. MEETING SPACES**
- III. WORK SUPPORT SPACE**
- IV. SUPPORT SPACES**
- V. TASK & VISITOR SEATING**

Each space category above will have subsections based on Huawei's Office Playbook. Depending on the size of the office and the category of the country, in which the office is located, the different space category will be classified in each section.

Catalogue Content

Space category is divided into subsections below:

I. WORKPOINTS

Page 11

- Bench Workstation Page 14 - 28
- Temporary Workstation Page 29 - 32
- L-Shaped Workstation Page 33
- Manager Office Page 37 - 48
- Quiet Room Page 49

II. MEETING SPACES

Page 50

- Huddle Space – Small Page 52 - 54
- Huddle Space – Large Page 55 - 69
- Internal Meeting Room Page 71 - 77
- Training Room Page 79 - 81
- Video Conference Room Page 82 - 84

III. WORK SUPPORT SPACES

Page 85

- Locker Page 87 - 89
- Pedestal Page 90 - 92
- Compactus Page 93 - 95

IV. SUPPORT SPACES

Page 96

- Canteen Page 98 - 101
- ReceptionArea Page 102 - 104

V. TASK AND VISITOR SEATING

Page 105

TASK

- Low Page 107 - 108
- Medium Page 109 - 110
- High Page 111 - 112
- Premium Page 113 - 114

VISITOR

- Low Page 115
- Medium Page 116
- High Page 117
- Premium Page 118

VI. STEELCASE CORPORATE CAPABILITIES

Page 124

- Introduction Page 125
- Proposed Team & Milestones Page 127
- Direct & Dealer Locations Page 136
- Plant Location Page 149
- Shipping Lead Times Page 150
- Sustainability Information Page 151

VII. DISCOUNTS & PRICING

Page 161

How to Use.

Majority of the space configuration is divided into:

- **Low** – most cost effective
- **Mid** – above average to low
- **High** – expensive
- **Premium** – most expensive

The ranks are differentiated by product cost, key features, quality and manufacturing origins. For example: If you require a low cost solution, please identify and pick category “low” as your selection.

Catalogue Content: Every Steelcase proposed configuration in this catalogue include detailed descriptions of:

- Product Features
- Sizes
- Manufacturing origin
- Design origin
- Lead time
- Color Finishes
- Sustainability Certifications
- Pricing/Cost

Disclaimer:

**** All product proposed are standard, any exceptions of product categories and product lines which are considered specialty use or out of this catalogue will be subjected to additional cost.**

Steelcase Product lines

WORKSTATIONS

CHINA

Lexicon

Cost effective solution

FrameOne

Mid End solution
Available Globally

Sit2Stand

High end solution
Height Adjustable

APAC

Lexicon

Cost effective solution

FrameOne

Mid End solution
Available Globally

Sit2Stand

High end solution
Height Adjustable

EUROPE

OttimaEco

Cost effective solution

Kalidro

Mid End solution

FrameOne

High end solution
Available Globally

Ology

Premium solution
Height Adjustable

MIDDLE EAST

OttimaEco

Cost effective solution

Kalidro

Mid End solution

FrameOne

High end solution
Available Globally

Ology

Premium solution
Height Adjustable

AMERICAS

Answer/Universal

Cost effective solution

FrameOne

Mid End solution
Available Globally

Migration

High end solution
Height Adjustable

Series Bench

Premium solution
Height Adjustable

MEETING TABLES

Lexicon

Cost effective solution

4.8

Mid End solution

Convvene

High end solution

Lexicon

Cost effective solution

4.8

Mid/High End solution

Kalidro

Cost effective solution

FrameOne

Mid End solution

Kalidro

Cost effective solution

FrameOne

Mid End Solution

Answer/Universal

Cost effective solution

FrameOne

Mid End solution

Groupwork

High End solution

TRAINING TABLE

FlipTopTwin

Cost effective solution

Verb

Mid End solution

FlipTopTwin

Cost effective solution

Verb

Mid End solution

Verb

Cost effective solution

FlipTopTwin

Mid End Solution

Verb

Cost effective solution

FlipTopTwin

Mid End solution

FlipTopTwin

Cost effective solution

Verb

Mid End solution

Steelcase Product lines

LOUNGE, SOFA

CHINA

Cittern Sofa

Cost effective solution

B Free

Cost effective solution

Campfire

Mid End solution

Media:scape Lounge

High End solution

Millbrae Contract

Premium solution

SW_1 Lounge Chair

Premium solution

APAC

Cittern Sofa

Cost effective solution

B Free

Cost effective solution

Campfire

Mid End solution

Media:scape Lounge

High End solution

Millbrae Contract

Premium solution

SW_1 Lounge Chair

Premium solution

EUROPE

B Free

Cost effective solution

Media:scape Lounge

Mid End Solution

SW_1 Lounge Chair

Mid End solution

Visalia

High End solution

Millbrae Contract

Premium solution

Lagunitas

Premium solution

MIDDLE EAST

B Free

Cost effective solution

Media:scape Lounge

Mid End Solution

SW_1 Lounge Chair

Mid End solution

Visalia

High End solution

Millbrae Contract

Premium solution

Lagunitas

Premium solution

AMERICAS

B Free

Cost effective solution

Campfire

Mid End solution

Media:scape Lounge

High End solution

Millbrae Contract

Premium solution

SW_1 Lounge Chair

Premium solution

TASK CHAIR

Personality

Cost effective solution

Reply

Mid End solution

Think

High End solution

Leap

Premium solution

Gesture

Exclusive solution

Personality

Cost effective solution

Reply

Mid End solution

Think

High End solution

Leap

Premium solution

Gesture

Exclusive solution

Reply / East side

Cost effective solution

Think

Mid End solution

Leap

High solution

Gesture

Premium solution

Reply / East side

Cost effective solution

Think

Mid End solution

Leap

High solution

Gesture

Premium solution

Reply

Cost effective solution

Think

Mid End solution

Leap

High solution

Gesture

Premium solution

Steelcase Product lines

STORAGE

CHINA

UPV
Cost effective solution

UPSS
Mid End solution

APAC

UPV
Cost effective solution

UPSS
Mid End solution

EUROPE

SHARE IT
Cost effective solution

UNIVERSAL STORAGE
Mid End solution

MIDDLE EAST

SHARE IT
Cost effective solution

UNIVERSAL STORAGE
Mid End solution

AMERICAS

UNIVERSAL
Cost Effective solution

EXECUTIVE COLLECTION

Impact
Wood/Veneer Furnishing
Item for Private Office

Impact
Wood/Veneer Furnishing
Item for Private Office

SHARE IT
Wood/Veneer Furnishing
Item for Private Office

SHARE IT
Wood/Veneer Furnishing
Item for Private Office

EE6
Wood/Veneer Furnishing
Item for Private Office

Our Sustainability Standards

Our products carry a number of third-party verified certifications, reflecting our commitment to deliver on our promise.

These certifications program include:

BIFMA level®
Blauer Engel
China Environmental Label
Cradle to Cradle™
EU Ecolabel (European Flower)
FCS® Chain of Custody
NF Environnement
PEFC™
Oeko Tex®
SCS IndoorAdvantage™



OEKO – TEX 100 STANDARD POLYESTER
Our fabrics/polyester are tested and certified according to Oeko-Tex 100 standard. It is an international testing and certification system for textile which evaluates and screens for any harmful substances present within processed textiles intended to come into contact with consumers.



BIFMA
Steelcase products conforms with one of the most stringent requirements which focuses on furniture comfort, safety, sustainability and durability standards. BIFMA (Business + Institutional Furniture Manufacturers Association) is also accredited by the American National Standards Institute (ANSI).



CHINA 10 CIRCLE ENVIRONMENTAL LABEL (中国十环认证)
China Ecolabel is one of the most renowned certification in Asia for being recognized as a green products. China 10 Circle is well respected and highly recognized for its stringent and holistic approach in sustainability and quality requirements, giving our clients and customers the added confidence when choosing Steelcase products. The certification is a type I Ecolabel certification following International standard ISO 14024.



SCS INDOOR ADVANTAGE
We pursue industry-independent, third-party testing and indoor air quality certification for many of our products and materials through the Scientific Certification Systems' Indoor Advantage™ program:

- provides credits toward the U.S. Green Building Council's LEED certification
- demonstrates compliance to ANSI/BIFMA criteria for low-emitting furniture
- Indoor Advantage Gold certification also demonstrates compliance to California 01350, ASHRAE 189.1, and CHPS Collaborative for High Performance Schools Criteria for furniture.



E0 AND E1
E1 and E0 are European formaldehyde emission standards. Both E1 and E0 low formaldehyde emissions boards are available in Steelcase to support our clients' environmental requirements.



PRODUCT ENVIRONMENTAL PROFILE (PEP)
Product Environmental Profile (PEP) is a voluntary type II Ecolabel certified according to ISO 14021.

**Please refer to our certifications enclosed.

EUROPE

- I. Work Points
- II. Meeting Spaces
- III. Work Support Space
- IV. Support Spaces
- V. Task & Visitor Seating

Work Points

- Bench Workstation
- Temporary Workstation
- L-Shaped Workstation
- Manager Office
- Quiet Room



I. Work Points

Bench Workstation



LOW PRICE
OttimaEco



MID PRICE
Kalidro



HIGH PRICE
FrameOne



PREMIUM PRICE
Ology Height Adjustable

Temporary Workstation



LOW PRICE
OttimaEco



MID PRICE
Kalidro



HIGH PRICE
FrameOne



PREMIUM PRICE
Ology Height Adjustable

How to classify and use.

Each Workstation configuration shown above is divided into 3 rank:

- **Low** – most cost effective
- **Mid** – above average to low
- **High** – expensive
- **Premium** – most expensive

The rank criteria is driven by:

- Cost
- Key Features
- Manufacturing Origin
- Design Origin



I. Work Points

L-Shape
Workstation



Kalidro L Shape

How to classify and use.

Each L shape workstation configuration shown above is with 1 option:

- L SHAPED - Kalidro



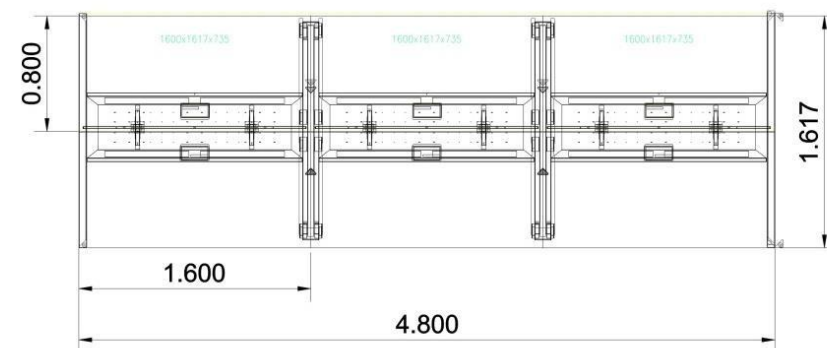
I. WORK POINTS

EUROPE | BENCH WORKSTATION | LOW PRICE RANGE – OTTIMA ECO



Image for visual purpose only

PLAN VIEW



ABOUT THE SOLUTION

- OttimaEco Bench 4800 W x1617 D – 1600 W x 800 D / User
- Ottima Screen H 363 mm

Model Number:

- 5BECO0110
- 5BECO0460
- 5BECO0230
- 5BECO0460
- 5BECO0230
- 5BECO0460

Laminate Desk & Table



Paint Frame



Fabric Panel



Manufacturing Location:
 Madrid, Spain

Design Origins: Europe

LEADTIME: 5 – 8 weeks



WORK POINTS

EUROPE | BENCH WORKSTATION | OTTIMA



Image for visual purpose only

DESCRIPTION

Groups shrink, grow, and regroup all the time. Benching Solutions facilitate team's need to adapt the changing realities of business, without compromising on user's well-being. OttimaEco Bench is a simple and elegant benching solution. It fits to any workplace thanks to its clean design. With privacy screens and easy power access, OttimaEco Bench easily adapts to each user's workstyle.

FEATURES & BENEFITS

- Simple, elegant lines
- Easily adaptable for various user settings

CERTIFICATIONS

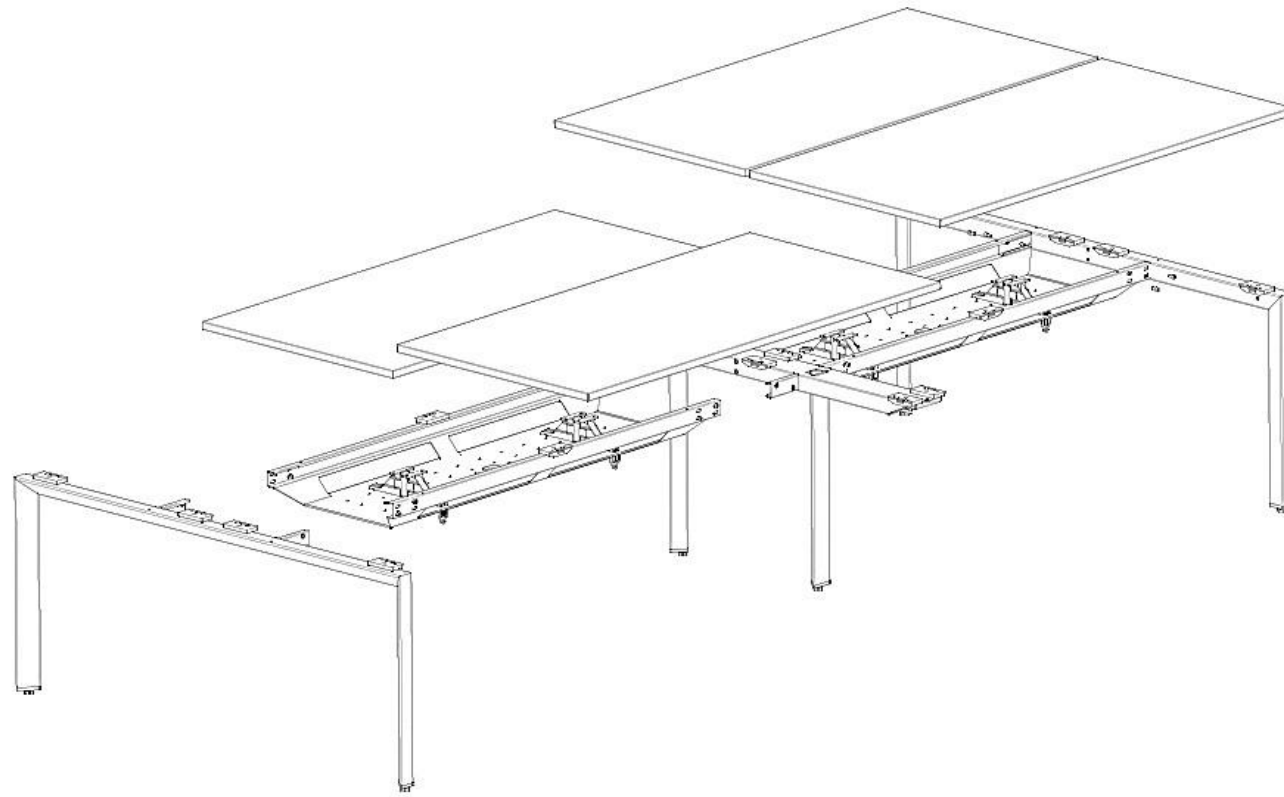
PEFC (Programme for the Endorsement of Forest Certification)

The wooden components are labelled with PEFC (Programme for the Endorsement of Forest Certification)



WORK POINTS

EUROPE | BENCH WORKSTATION | OTTIMA



HEIGHT

- 620 mm base

LEGS & STRUCTURE

- legs fix to underframe
- middle/shared leg fixes to underframe
- triangular steel tube leg, 55 x 55 x 74mm, powder coated with epoxy resin paint

MATERIAL

- The bench tops are available in the 5 top selling melamine – Crystal, Acacia, Natural Maple, Beech and Snow.

CABLE MANAGEMENT

Horizontal

- standard: cable tray, cable clamps

Top

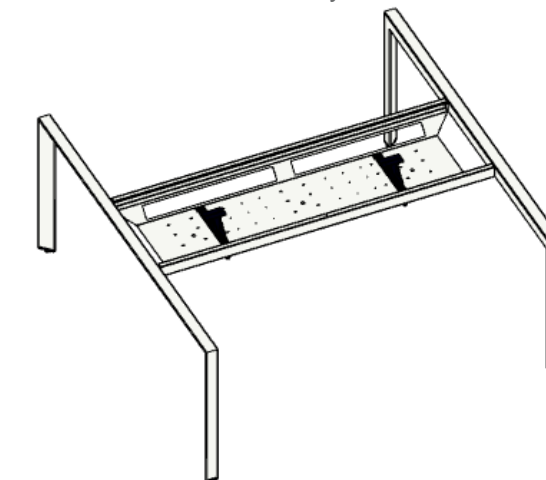
There are four cable management options on desk top:

- No top access
- Edge cut out
- Plastic top access
- Melamine top access

Vertical

- cable totem
- cable spine 800mm, flexible grey plastic molded
- intermediary leg

Black plastic parts for fixing the screens are always included in the cable tray



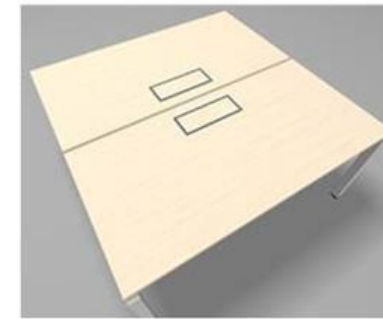
00. No top access



N1. Edge cut out



KKM. Plastic top access



30. Melamine top access

Disclaimer: Quotation will be provided based on actual project scheduled.



WORK POINTS

EUROPE | BENCH WORKSTATION | OTTIMA SCREEN

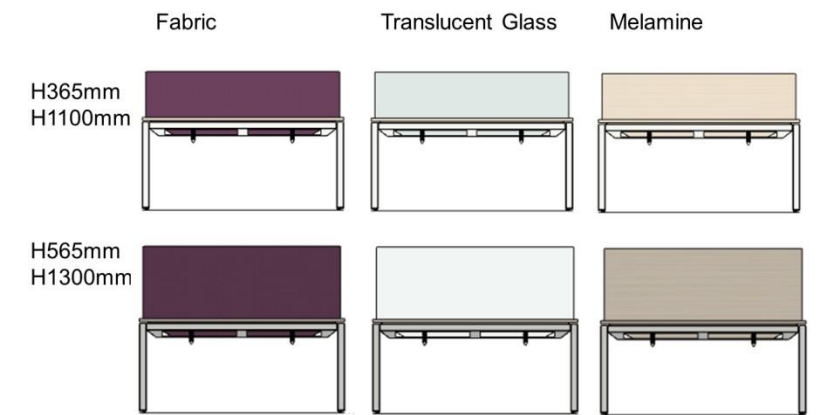


Image for visual purpose only

DESCRIPTION

For the right balance between privacy and collaboration, screens can be fixed to the desk. Frontal screens are available in fabric, melamine and translucent white glass.

FEATURES & BENEFITS

- Privacy
- Ideal for open business spaces
- Height: Frontal screens (as an option) are fixed to the cable tray. Available in two heights H365 and H565mm , above the desk (H1100 and H1300mm from the floor)
- Thickness:
 - Fabric – 17mm (Particle board with a cut in the edge, covered by fabric. No acoustical properties.)
 - Melamine – 16mm
 - Translucent Glass – 6mm (2 glasses of 3mm and butyral in between)

CERTIFICATIONS

PEFC (Programme for the Endorsement of Forest Certification)

The wooden components are labelled with PEFC (Programme for the Endorsement of Forest Certification)



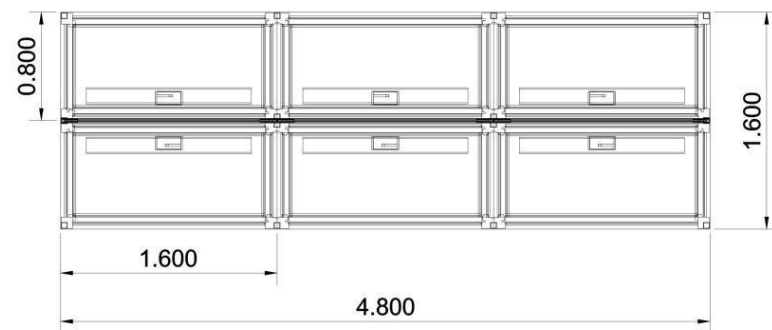
I. WORK POINTS

EUROPE | BENCH WORKSTATION | MID PRICE RANGE - KALIDRO



Image for visual purpose only

PLAN VIEW



ABOUT THE SOLUTION

- Kalidro Bench 4800 W x 1600 D – 1600 W x 800 D / User
- Partito Screen H 363 mm

Model Number:

W3712700
 W37FM020
 W92B1170

Laminate Desk & Table



Veneer Desk & Table



Paint Frame



Fabric Panel



A large variety of fabrics is available for our products. Please connect with our local dealer for a full list of materials and prices.



Manufacturing Location:
 Rosenheim, Germany
 Madrid, Spain

Design Origins: Europe

LEADTIME: 5 – 8 weeks



WORK POINTS

EUROPE | BENCH WORKSTATION | KALIDRO



Image for visual purpose only

DESCRIPTION

Kalidro is an **all-in-one workstation** for the essential demands of today's office. Kalidro is really **easy to set up** thanks to intuitive features like **height adjustment**, the simple fix version and smart cable management . What's more, Kalidro is beautiful to look at, with a **simplicity of design** that is pure elegance.

FEATURES & BENEFITS

- Kalidro makes life easy .Kalidro is easy to assemble and simple to adjust. The installation, removal or internal reorganization are simple and completed in seconds.
- Kalidro has a cable management that works for all your needs, no matter what you ask of cable management, Kalidro has the answer.

CERTIFICATIONS

Environmental Product Declaration (EPD)

With Kalidro we can provide an Environmental Product Declaration (EPD), according to the objectives of ISO 14025, based on Life Cycle Assessment (ISO 14044).

“Blauer Engel”

Kalidro complies with the German environmental certification “Blauer Engel”.

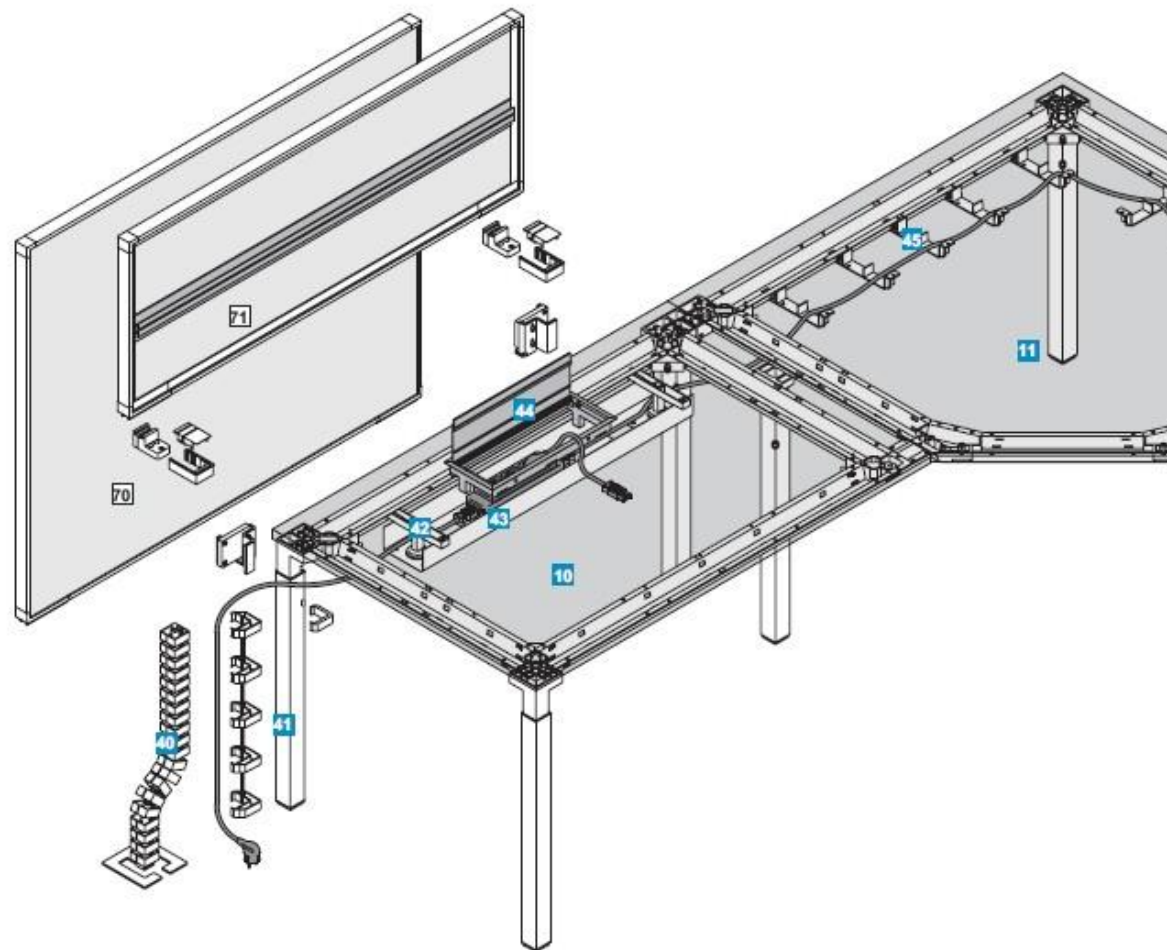
PEFC (Programme for the Endorsement of Forest Certification)

The wooden components of Kalidro are labelled with PEFC (Programme for the Endorsement of Forest Certification)



WORK POINTS

EUROPE | BENCH WORKSTATION | KALIDRO



- 10 Straight type 10
- 11 Corner junction large 90°
- Cable management**
- 40 Vertical cable spine
- 41 Vertical cable clip
- 42 Horizontal cable tray, droppable (Option)
- 43 Triple power sockets with 3m power cable (Option)
- 44 Large horizontal cable box (Option)
- 45 Horizontal cable brackets (Standard)
- 46 Small horizontal cable box (Option)
- Modesty panel**
- 50 Modesty panel
- 70 Partito Screen, height adjustable (refer to Partito)
- 71 Partito Screen, on desk (refer to Partito)
- 72 Orgarail for desk with cut-out
- 73 Orgarail for desk without cut-out
- Accessories**
- 80 CPU holder
- 81 Castors ø50mm, (Option)
- 82 Single leg H620-860
- 83 Single leg H720
- Worktools (see Worktools)**
- 90 1+1 Letter Tray long
- 91 1+1 Long tray
- 92 1+1 Binder Holder
- 93 1+1 Hook

HEIGHT

- 620 mm base

LEGS & STRUCTURE

- legs fix to underframe
- middle/shared leg fixes to underframe

DESIGN

- square steel tube structure 45 x 45mm, powder coated with epoxy resin paint
- Leg to frame corner element/link – die-cast Aluminum, powder coated with epoxy resin paint, polished aluminum optional

MATERIAL

- Melamine 25mm, resin coated 3-layer particle board E1, PP edge 3mm

CABLE MANAGEMENT

Horizontal

- standard: cable carrier, plastic PA grey, fixes to underframe; cable clamp for cables
- option: cable tray fixes to underframe and can swing into an open position for easy access, sheet steel, powder coated with epoxy resin paint in frame color

Top

- Top access Plastic 173 x 82mm, lid and frame, grey plastic PA
- Top access Aluminum 330 x 125mm, anodized aluminum lid, grey plastic PA frame
- Integrated top access (L340xD115) flush with desktop, with soft and quiet opening and closing mechanism. Available in same finish as the top or painted lid in SL when the top finish is not available.

Vertical

- cable clips, translucent plastic, attached to leg, not available with H620-860mm
- cable spine 800mm, flexible grey plastic molded
- parts; can be fixed to cable brackets and cable tray cable outlets at rear edge of desk top W90mm x D27mm, grey plastic PA, for desk tops 25/19/14mm

Disclaimer: Quotation will be provided based on actual project scheduled.



WORK POINTS

EUROPE | BENCH WORKSTATION | PARTITO SCREEN



Image for visual purpose only



DESCRIPTION

Partito Screen brings structure to space. It successfully combines design and functionality. It is adjustable in height for extra convenience. Partito screen can incorporate accessories like a flat screen monitor support or other simple tools.

FEATURES & BENEFITS

- The choice of materials and colours help to maintain individuality.
- Partito screen can incorporate many accessories and work tools.
- It is ideal for call centres configurations (allowing both visual and acoustic privacy).
- Sustainability: Partito contains 24% of recycled materials and no hazardous materials.
- Available in 3 different fabric collections and many colours.

CERTIFICATIONS

“E1 Standard”
 The particle boards comply with the low emission “E1 Standard” (EN13986).

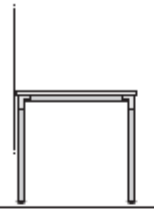
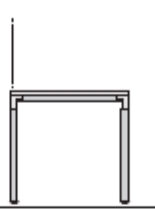
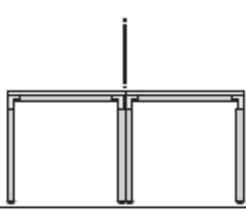
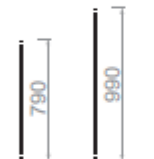


PEFC (Programme for the Endorsement of Forest Certification).

The wooden components of Partito are labelled with PEFC Environmental Product Declaration (EPD)
 With Partito we can provide an Environmental Product Declaration (EPD), according to the objectives of ISO 14025, based on Life Cycle Assessment (ISO 14044).
 GS Certification



WORK POINTS

EUROPE | BENCH WORKSTATION PARTITO SCREEN

Partito Screen	height adjustable	on desk	back-to-back configuration
1. choose variety			
2. choose height			
3. choose panel thickness	8 or 35 mm	8 or 35 mm	8 or 35mm
4. choose desk type	Type 10/15/21/23/25/45/46/48/55/56 Type 12/13/14/16/17/18	Type 10/15/21/23/25/45/46/48/55/56 Type 12/13/14/16/17/18	Type 10/15/21/23/25/45/46/48/55/56 Type 12/13/14/16/17/18
5. choose width	Screen width = Desk width	Screen width = Desk width	Screen width = Desk width
6. choose type	no selection required	basic screen (can be used without any support) extended screen element (should always be fixed to a screen)	basic screen (can be used without any support) extended screen element (should always be fixed to a screen)

GENERAL

- widths: 800, 1000, 1200, 1400, 1600, 1800, 2000mm
- and special screens for corner desks type 12/13/14/16/17/18
- 3 variations:
 - Height adjustable screen, for mounting at various heights behind the desk edge;
 - desk-mounted screen for assembly flush with rear edge of desk
 - screen for back-to-back configuration, for centred assembly between two desks in back-to-back configuration
- heights:
 - desk-mounted screen 363 or 463mm
 - screen for back-to-back configuration 363 or 463mm
- thicknesses:
 - frame 35mm with 8mm panel

PANEL

- Panel 8mm, resin-coated 3-layer particle board E1
- Fabric
- 8mm panel, 3-layer particle board E1 upholstered both side, thickness 1mm
- 35mm panel, 2x 3-layer particle board E1 8mm, spacer 16mm, upholstered both sides approx. 1mm
- Panel 35mm with acoustic, Non-woven PE material, upholstered

CONNECTORS

Screen to screen

- anodized die-cast aluminium connectors, incl. anodized aluminium screen (EV1) and cover caps in plastic PA
- Corner desks Types 12/13/14/16/17/18:

Screen to desk

- Connector Aluminium and steel, powder-coated with epoxy resin
- depending on desk range, desk connectors must be ordered as options
- assembly not possible without desk connectors
- for flush fitting to rear of desk edge and for centred assembly between two desks in back-to-back configuration, a cut-out on the desk rear edge is required. This option can be found in the respective desk ranges
- Basic screens require 2 cut-outs and 2 adapters, extended screen elements require one cut-out and one adapter, and one support leg



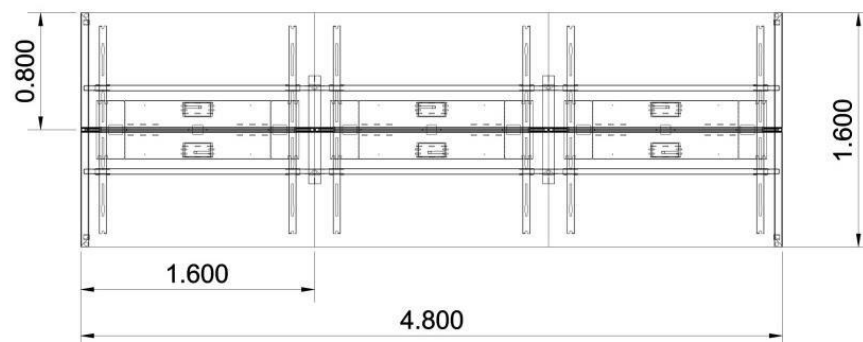
I. WORK POINTS

EUROPE | BENCH WORKSTATION | HIGH PRICE RANGE - FRAMEONE



Image for visual purpose only

PLAN VIEW



ABOUT THE SOLUTION

- FrameOne Bench 4800 W x1600 D – 1600 W x 800 D / User
- Partito Screen H 363 mm

Model Number:

W3G17700
 W92B1170
 W3G27700
 W92B1170

Laminate Desk & Table



Veneer Desk & Table



Paint Frame



Fabric Panel



A large variety of fabrics is available for our products.
 Please connect with our local dealer for a full list of materials and prices.



Manufacturing Location:
 Rosenheim, Germany
 Madrid, Spain

Design Origins: Europe

LEADTIME: 5 – 8 weeks



WORK POINTS

EUROPE | BENCH WORKSTATION | FRAMEONE BENCH



Image for visual purpose only



DESCRIPTION

FrameOne Bench is a workstation with light and refined aesthetic. It also allows to create differentiated bench settings supporting more effectively the ways users work. This while using the same product line.

FEATURES & BENEFITS

- FrameOne bench offers the integrated rail option to support work tools
- The sliding top is integrated
- The bench can be associated to work tools, lighting, screens and technology.
- The product features Bench applications with supporting storage
- Efficient cable management solutions
- Sustainability: 99% recyclable and composed of 34% of recycled material

CERTIFICATIONS

Environmental Product Declaration (EPD)

With FrameOne we can provide three Product Environmental Profiles (PEP), an environmental declaration according to the objectives of ISO 14021

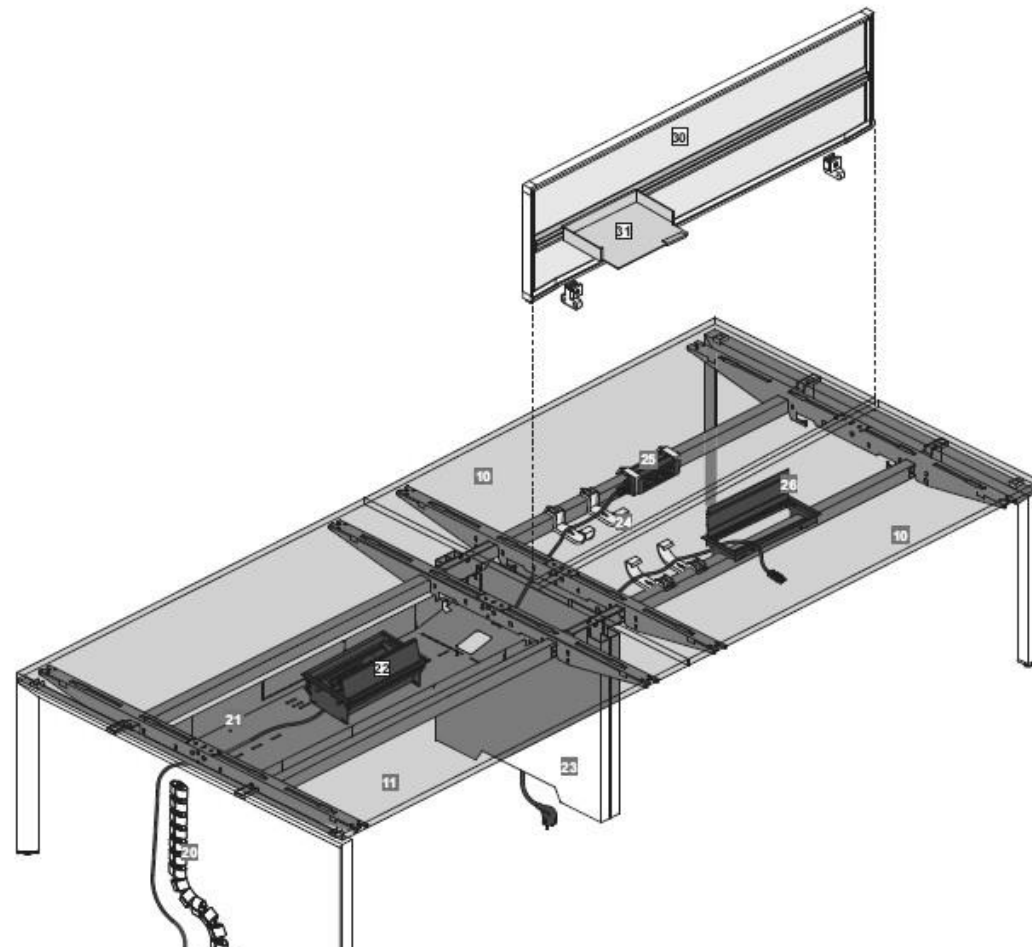
FrameOne complies with the German environmental certification "Blauer Engel".

PEFC™ (Programme for the Endorsement of Forest Certification)



WORK POINTS

EUROPE | BENCH WORKSTATION | FRAMEONE BENCH



- Desk**
- 10 Straight, freestanding, Partito
- 11 Straight, extension, Continuous Depth
- Cable management**
- 20 Vertical cable spine H800
- 21 Horizontal cable tray, hinged (option)
- 22 Horizontal - i&o (refer to worktools)
- 23 Vertical cable cover
- 24 Horizontal cable brackets
- 25 Triple power sockets with 3m power cable
- 26 Top Access Aluminum (option)
- Top-organisation**
- 00 Partito Screen H464, on desk
- 01 1+1 A4 Letter tray across (refer to worktools)

GENERAL

- FrameOne bench always consists of a single structure or one structure and one or more extension elements
- Single structure includes a structure, 2 end legs and 2 tops
- Extension includes a structure, a middle leg and 2 tops
- Sliding desk top is standard

LEGS & STRUCTURE

- Triangular steel tubing, 55x55x74mm, powder-coated with epoxy resin paint
- Fixed height of H730mm with a levelling guide (+15mm)

MIDDLE LEGS FOR EXTENSION MODULES

- End legs and 2 middle legs are fixed to beam
- The middle legs accommodate the cable cover

STRUCTURE

- Underframe is made of steel components mechanically assembled with screws.
- 2 Steel tubes 40x50mm are linked to the legs and ensure the whole rigidity.
- A pair of glides fixed to the underframe enable the fixing of top.
- Hinged cable tray is fixed to sliding desk glides.

TOP

- Protech Top:
- 25 mm thick
- Edge 2.8mm PP straight
- 4* 90° angles/Radius 3mm at the corners
- Sliding desk top is standard

CABLE MANAGEMENT

On the desk

As an option:

- Top access plastic (173x82mm)
- Top access aluminum (330x100mm)
- Integrated top access (340x115mm) flush with desktop with soft and quiet opening and closing mechanism

Horizontal

- Option: cable brackets, plastic PA black, hooked onto underframe
- Option: cable tray, hinged, hooked onto sliding desk top glide, sheet steel, powder coated with epoxy resin paint always in G3 colour. Cable stop in cable tray.

Vertical

- As an option: translucent flexible cable spine fixed under
- the cable tray (two-way segregation+ cable stop)
- Steel sheet cable cover, powder coated with epoxy resin paint fixed to the extension modules middle legs (L670xP691xH705mm).

Side modesty panel

- fixed to side frame with adapter

Material

- TechTop 14mm, laminated board with high density core, PP edge 2mm
- Glass 6mm, etched one side
- Accessories
- CPU holder, steel sheet powder coated with epoxy resin
- paint, including strap, fixed to underframe

Disclaimer: Quotation will be provided based on actual project scheduled.



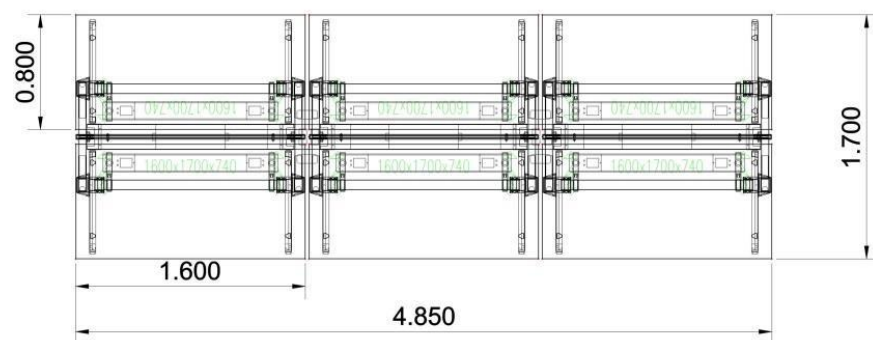
I. WORK POINTS

EUROPE | BENCH WORKSTATION | PREMIUM PRICE RANGE – OLOGY



Image for visual purpose only

PLAN VIEW



ABOUT THE SOLUTION

- Ology Bench Electric Eco Pack H650-1250. 4850 W x 1700 D – 1600 W x 800 D / User
- Partito Screen H 790 mm

Model Number:

N1G105A700
 W92B1370
 N1HAVB0010

Laminate Desk & Table



Veneer Desk & Table



Paint Frame



Fabric Panel



A large variety of fabrics is available for our products. Please connect with our local dealer for a full list of materials and prices.



Manufacturing Location:
 Rosenheim, Germany
 Madrid, Spain

Design Origins: Europe

LEADTIME: 5 – 8 weeks



WORK POINTS

EUROPE | BENCH | OLOGY BENCH ELECTRIC



Image for visual purpose only

DESCRIPTION

Ology bench adds the benefits of height-adjustability to a wide range of benching applications, improving individual and organisational wellbeing while maximising real estate. Whether users are in need of a temporary workspace or collaborating with team members, they can easily adjust their worksurface height to support the position that's right for them and their work.

FEATURES & BENEFITS

- The geometric H-shape of the side frame provides a clean desk aesthetics, without boundaries between workstations. This encourages users to connect and to have quick and informal conversations.
- Shifting postures throughout the day helps employees stay refreshed and engaged. Ology bench users can change their work surface height, stimulating physical, mental activity and ergonomics.
- Ology bench can be easily reconfigured and facilitates efficient space planning. The central cable trough allows convenient and discreet cable management for facility managers.

CERTIFICATIONS

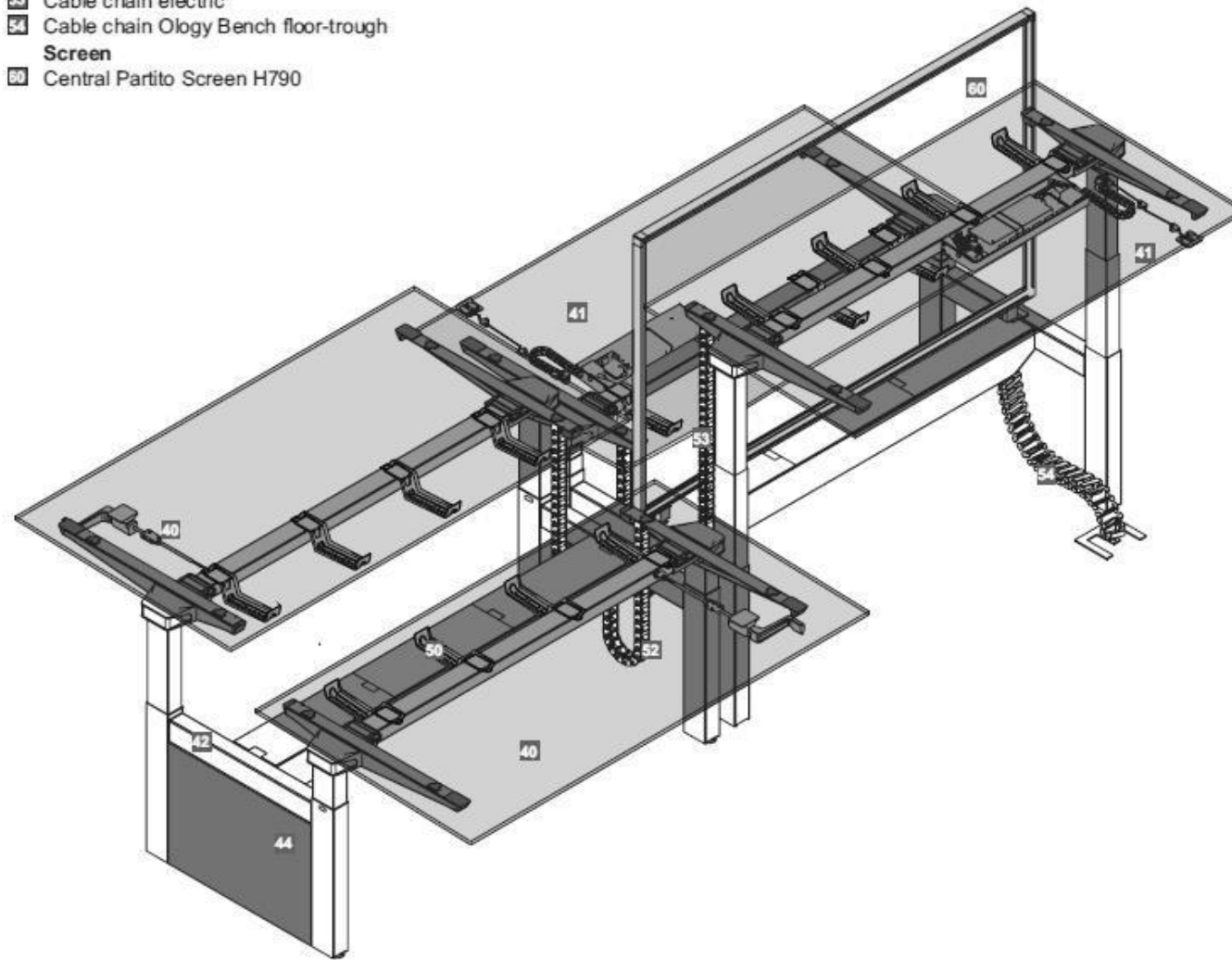
- EPD – Environmental Product Declaration**
- PEP – Product Environmental Profile**
- NF Environnement**
- NF Office Excellence Certifié**
- Blauer Engel**
- Indoor Advantage Gold**
- Cradle-to-Cradle Bronze**



WORK POINTS

EUROPE | BENCH | OLOGY BENCH ELECTRIC ECO PACK

- Bench**
- 40 Ology Bench crank
- 41 Ology Bench electric 680-1180mm
- 42 Horizontal beam
- 43 Lateral desk connectors
- 44 Side panel cover
- Cable management**
- 50 Cable trough
- 51 Connecting cover
- 52 Cable chain telesc./crank
- 53 Cable chain electric
- 54 Cable chain Ology Bench floor-trough
- Screen**
- 60 Central Partito Screen H790



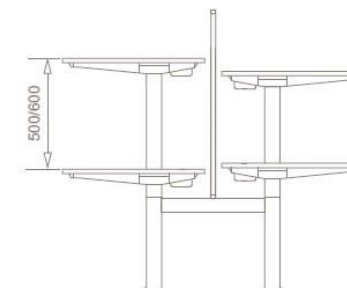
DESIGN

One bench configuration consists of 2 desks (back-to-back) without foot stabilizers. A Horizontal steel tube on both sides of the configuration connects the vertical columns of the desks. The total depth of one configuration is 1700mm as there is a gap of 100mm between the two 800mm deep tops (25mm thickness). The different height versions can be connected laterally without limitations. The horizontal steel tube includes connection points for the following components:

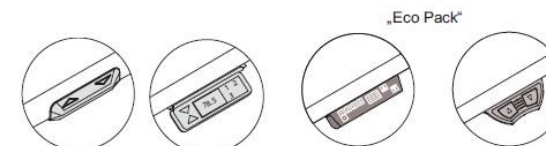
- Central cable trough
- Linear connectors
- Central Partito Screen
- Spacers (Cabinet/Wall)

Cable trough

Steel, 2mm Thickness, H122mm x D186mm with top covers (can be removed by the user, quantity depends on the width), with cable cut-outs on the top and covers on the sides (can be removed in case of lateral connection)



Desk Electric
 H680-1180mm / H650-1250mm
 Compensation 10mm



„Eco Pack“

Linear connectors

- The linear connection of back-to-back configurations happens through a pair of lateral connectors, made of steel (3mm), screwed to the horizontal steel tube
- The metal connectors include drillings to either create a 25mm gap between the top of an electric lift desk and another desk or to adjust the tops of crank and telescopic desks without gap

Central Partito Screen

- Partito connectors (Aluminium) are screwed to the horizontal steel tube
- Available in 3 different heights: 615mm for telescopic and crank, 790 and 990mm for electric lift
- The central Partito Screen needs to have the same width like the desk
- The central Partito Screen is not compatible with „Partito Screen on top of the desk“ and the “Orgarail behind the desk top”

Vertical cable management

- Cable chain in plastic between floor and cable trough, can be adjusted in length by removing elements of the chain
- Cable chain in plastic between cable trough and cable tray of the desk, fixed to the trough and the cable tray, 2 different versions: telescopic/crank and electric lift

Disclaimer: Quotation will be provided based on actual project scheduled.



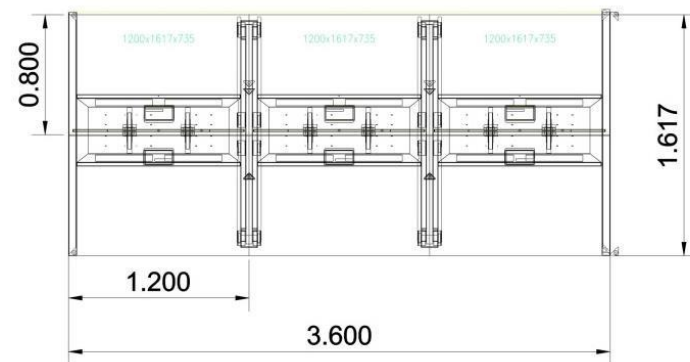
I. WORK POINTS

EUROPE | TEMPORARY WORKSTATION | LOW PRICE RANGE – OTTIMA ECO



Image for visual purpose only

PLAN VIEW



ABOUT THE SOLUTION

- OttimaEco Bench 3600 W x1617 D – 1200 W x 800 D / User
- Ottima Screen H 363 mm

Model Number:

- 5BECO0090
- 5BECO0440
- 5BECO0210
- 5BECO0440

Laminate Desk & Table



Paint Frame



Fabric Panel



Manufacturing Location:
 Madrid, Spain

Design Origins: Europe

LEADTIME: 5 – 8 weeks



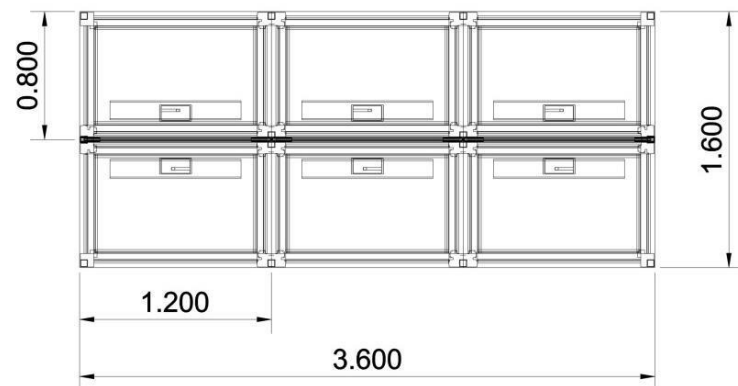
I. WORK POINTS

EUROPE | TEMPORARY WORKSTATION | MID PRICE RANGE - KALIDRO



Image for visual purpose only

PLAN VIEW



ABOUT THE SOLUTION

- Kalidro Bench 3600W x 1600 D – 1200 W x 800 D / User
- Partito Screen H 363 mm

Model Number:

W3712500
 W37FM020
 W92B1150

Laminate Desk & Table



Veneer Desk & Table



Paint Frame



Fabric Panel



A large variety of fabrics is available for our products. Please connect with our local dealer for a full list of materials and prices.



Manufacturing Location:
 Rosenheim, Germany
 Madrid, Spain

Design Origins: Europe

LEADTIME: 5 – 8 weeks



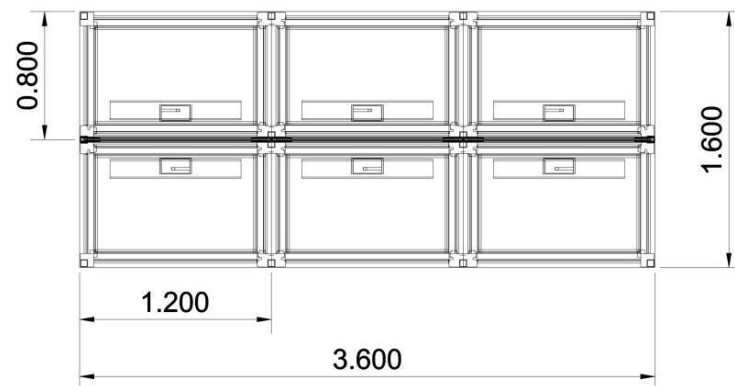
I. WORK POINTS

EUROPE | TEMPORARY WORKSTATION | HIGH PRICE RANGE - FRAMEONE



Image for visual purpose only

PLAN VIEW



ABOUT THE SOLUTION

- FrameOne Bench 3600W x 1600 D – 1200 W x 800 D / User
- Partito Screen H 363 mm

Model Number:

W3G17500
 W92B1150
 W3G27500
 W92B1150

Laminate Desk & Table



Veneer Desk & Table



Paint Frame



Fabric Panel



A large variety of fabrics is available for our products. Please connect with our local dealer for a full list of materials and prices.



Manufacturing Location:
 Rosenheim, Germany
 Madrid, Spain

Design Origins: Europe

LEADTIME: 5 – 8 weeks



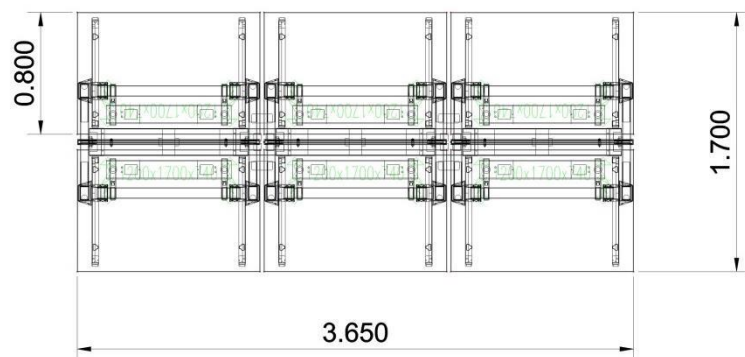
I. WORK POINTS

EUROPE | TEMPORARY WORKSTATION | PREMIUM PRICE RANGE - OLOGY



Image for visual purpose only

PLAN VIEW



ABOUT THE SOLUTION

- Ology Bench Electric Eco Pack H650-1250. 3650 W x 1700 D – 1200 W x 800 D / User
- Partito Screen H 790 mm

Model Number:

N1G105A500
 W92B1350
 N1HAVB0010

Laminate Desk & Table



Veneer Desk & Table



Paint Frame



Fabric Panel



A large variety of fabrics is available for our products. Please connect with our local dealer for a full list of materials and prices.



Manufacturing Location:
 Rosenheim, Germany
 Madrid, Spain

Design Origins: Europe

LEADTIME: 5 – 8 weeks



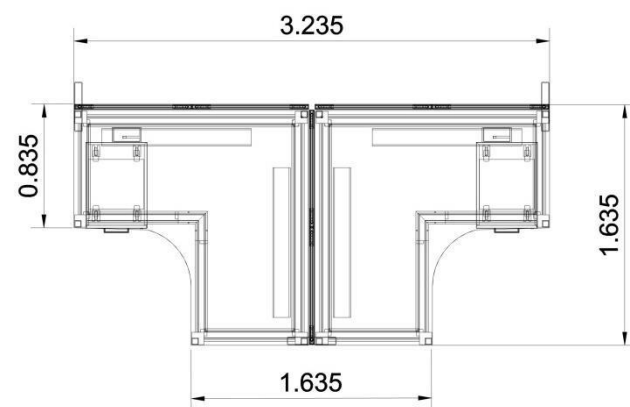
I. WORK POINTS

EUROPE | L-SHAPE WORKSTATION 1600 | KALIDRO DESK



Image for visual purpose only

PLAN VIEW



ABOUT THE SOLUTION

- Kalidro Desk Corner Core 1600 W x 800/800 D
- Partito Wall H 1155 mm
- Implicit Melamine Pedestal 1/2/6

Model Number:

W37H5770
785M31101
W92W1330
W93WV100
W93WV530

Laminate Desk & Table



Veneer Desk & Table



Paint Frame



Fabric Panel



A large variety of fabrics is available for our products. Please connect with our local dealer for a full list of materials and prices.



Manufacturing Location:
Rosenheim, Germany
Madrid, Spain

Design Origins: Europe

LEADTIME: 5 – 8 weeks

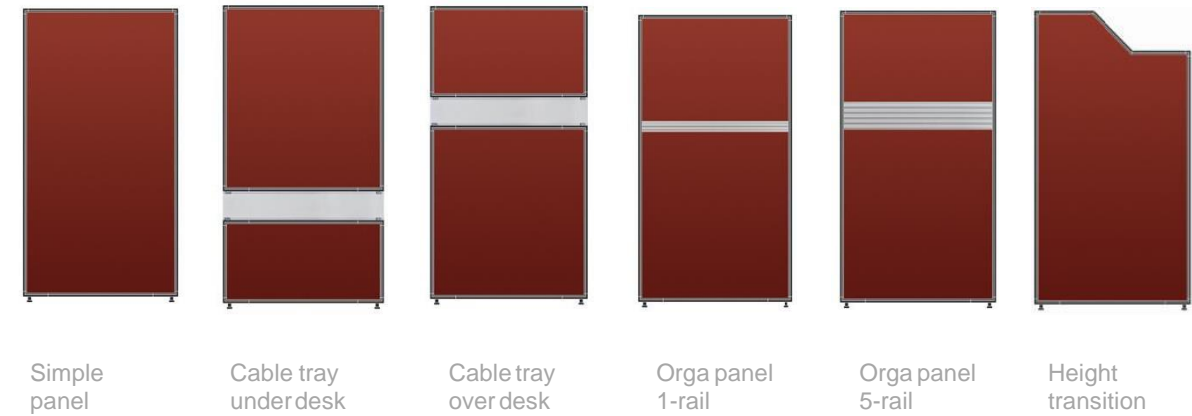


WORK POINTS

EUROPE | L-SHAPE WORKSTATION 1600 | PARTITO WALL



Image for visual purpose only



DESCRIPTION

Since time immemorial, people have had an inbuilt need for their own personal space. In today's office environment the situation is no different. That's why Steelcase created Partito, a flexible and ingenious system that optimises the way in which those valuable square metres are divided up.

Partito brings structure to open areas and offers support for the many different types of task carried out during the working day.

FEATURES & BENEFITS

- Straightforward way of partitioning a room
- Acoustic absorption
- Clever cable management
- Available in many dimensions and multiple configurations
- Available in 2 frame thicknesses, 2 infill thicknesses, and several different infill options.
- Available in fabric, fabric acoustic, wood veneer, melamine or acrylic.

CERTIFICATIONS

“E1 Standard”

The particle boards comply with the low emission “E1 Standard” (EN13986).

PEFC (Programme for the Endorsement of Forest Certification).

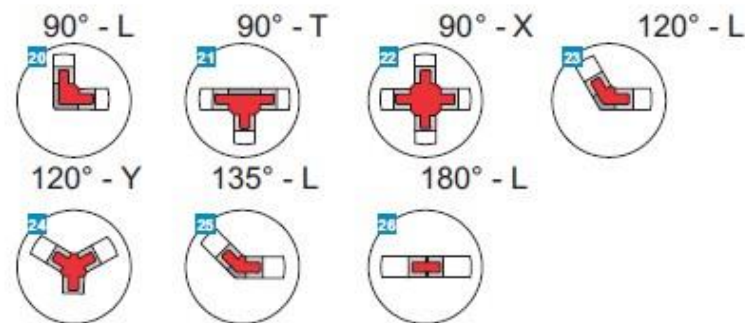
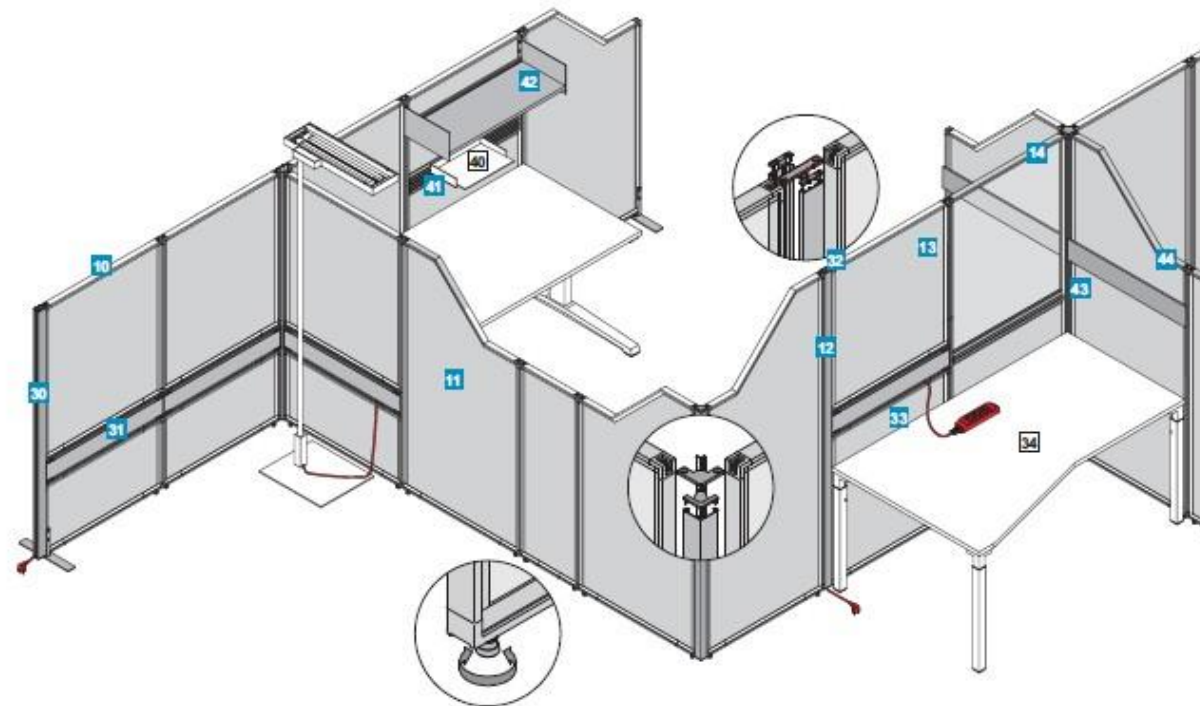
The wooden components of Partito are labelled with PEFC Environmental Product Declaration (EPD)

With Partito we can provide an **Environmental Product Declaration (EPD)**, according to the objectives of ISO 14025, based on Life Cycle Assessment (ISO 14044).
 GS Certification



WORK POINTS

EUROPE | L-SHAPE WORKSTATION 1600 | PARTITO WALL



- Partito Wall**
- 10 W800 x H1487 (4 FH) x D35/8
 - 11 Height transition H1155/1487 (3/4 FH)
 - 12 Height transition H1487/1887 (4/5 FH)
 - 13 W800 x H1887 (5 FH) x D35/35
 - 14 W800 x H1887 (5 FH) x D35/35
 - 15 W1200 x H1155 (3 FH) x D35/35

- Connector Sets**
- 20 L-junction, 1 x 90°
 - 21 T-junction 2 x 90°
 - 22 X-junction 4 x 90°
 - 23 L-junction 1 x 120°
 - 24 Y-junction 3 x 120°
 - 25 L-junction 1 x 135°
 - 26 I-junction, 1 x 180°

- Cable Management**
- 30 Vertical cable tray as an end element
 - 31 Cable tray below desk H140 (Option)
 - 32 Vertical cable tray as an intermediate element
 - 33 Cable tray above desk, H140 (Option)
 - 34 Triple power sockets with 3m power cable (can be ordered under Worktools)

- Accessories**
- 40 1+1 box system (can be ordered under Worktools)
 - 41 Orga panel, 5-rail (Option)
 - 42 Shelf W800
 - 43 Orga panel, 1-rail (Option)
 - 44 Magnetic board H123
 - 45 Stabilisation foot for D35 at the end

GENERAL

- Frame 35mm with panel 8mm;
- Frame 35mm with panel 35mm;

FRAME

- Aluminium profile anodised (EV1), connected with diecast
- Zinc corners, powder-coated with epoxy resin paint Pearl Alu
- profile cross-section 35 x 28mm or 50 x 28mm

PANEL

- Melamine
- 8mm resin-coated 3-layer particle board E1

FABRIC

- 8mm 3-layer particle board E1, upholstered on both sides
- 35mm 2x 3-layer particle board E1 spacer 16mm, upholstered on both sides

CONNECTORS

- Connector sets must be ordered separately
- steel connector, powder-coated with epoxy resin paint Pearl Alu, incl. perforated screen (exterior in anodised Aluminium (EV1), interior in PP plastic, with cover caps in PA plastic)
 - the following connector variants are available:
 - I-Junction 1 x 180°;
 - L-Junction 1 x 90° or 1 x 120° or 1 x 135°;
 - T-Junction 2 x 90°
 - X-Junction 4 x 90°
 - Y-Junction 3 x 120°

STABILITY

- Supportive measures are necessary to stabilise walls:
- A supporting leg is necessary at the start and end of each configuration.
- Corner junctions can be used to provide support.
- Linear 180° I-junctions can be supported using supporting legs, up to a maximum span of 000mm, spans greater than 2000mm must be supported by means of corner junctions.
- Shelves can only be mounted on walls that are supported by corner junctions.

CABLE MANAGEMENT

Horizontal

- option horizontal cable tray, built into the panel
- H140mm, incl. cable brackets and cable organisers, tool free assembly
- Partito Wall with horizontal cable tray not in combination with shelf
- cable tray capacity:
- panel thickness 35 and 50mm, will hold 8 cables with ø 8mm
- 2 positions available:
- cable tray below desk height, distance from lower edge to floor 440mm
- cable tray above desk height, distance from lower edge to floor 900mm

Vertical

- vertical cable tray W50mm or W65mm, anodised Aluminium (EV1), only possible with linear junctions
- 180° as an intermediate or end element

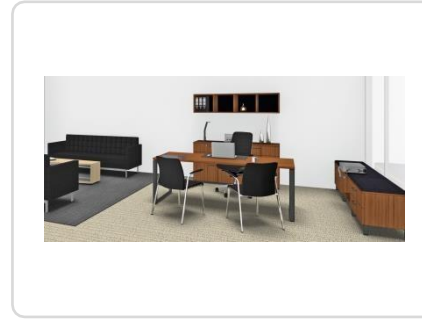


I. Work Points

Manager Office



LOW PRICE
Kalidro Settings



HIGH PRICE
FrameOne Enhanced + Share It Storage

Quiet Room



Kalidro Desk

How to classify and use.

Each Manager Office configuration shown above is divided into:

- **LOW** – most cost effective
- **MID** - above average to low
- **HIGH** – most expensive

Quiet Room, - only with 1 option based on Huawei Playbook requirements.

The office rank criteria is driven by:

- Cost
- Key Features
- Finishes
- Design Origin



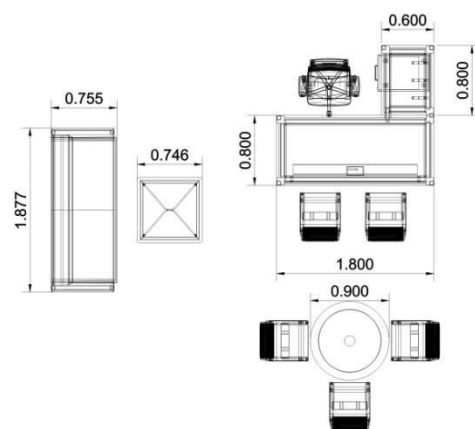
I. WORK POINTS

EUROPE | MANAGER OFFICE | LOW PRICE - KALIDRO



Image for visual purpose only

PLAN VIEW



ABOUT THE SOLUTION

- Kalidro Desk with Modesty Panel 1800 W x 800 D / Return Desk 800 W x 600 D
- Touchdown Round Table 900 mm Diam.
- Think Chair 3D Knit
- Think Sled Visitor Chair 3D Knit
- Visalia Sofa 3 seat
- B-Free Occasional Table
- Share It Storage 1540 H x 1200 W x 434 D
- Implicit Melamine Pedestal 1/2/6

Model Number:

W3712800
 W38R080Y
 W3711300
 W37VW000
 W9D4S1500
 W09K0090
 COJHL300
 N3LT00450



Manufacturing Location:
 Sarrebourg, France
 Rosenheim, Germany
 Trade Goods, Poland
 Stribro, Czech Republic

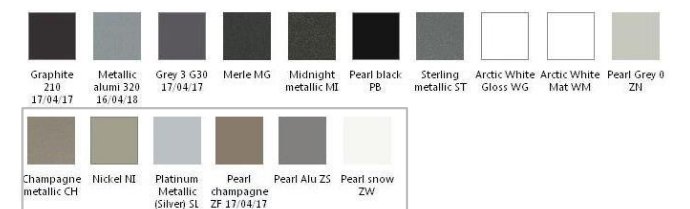
Laminate Desk & Table



Veneer Desk & Table



Paint Frame



Fabric Chairs and Sofa



A large variety of fabrics is available for our products. Please connect with our local dealer for a full list of materials and prices.

Design Origins: Europe & America

LEADTIME: 5 – 8 weeks



WORK POINTS

EUROPE | MANAGER OFFICE | TOUCHDOWN



Image for visual purpose only



DESCRIPTION

TouchDown2 is a multi purpose work surface available in different heights. It can be used as extra space at the desk, a temporary work surface to scribble some notes or a standing height discussion table for an impromptu exchange.

FEATURES & BENEFITS

- Its castors make it mobile and flexible to use.
- For dedicated communication areas in cellular offices.

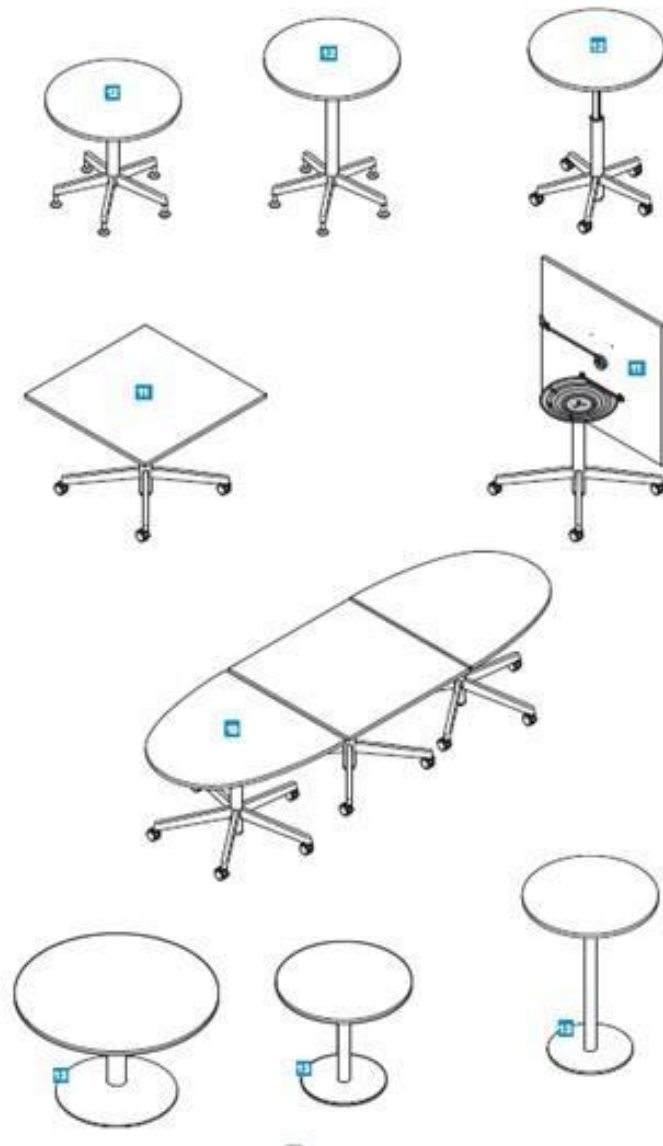
CERTIFICATIONS

Indoor Advantage – IAQ Gold 02491
GS
TUV Certificate



WORK POINTS

EUROPE | MANAGER OFFICE | TOUCHDOWN



Desks

- 10 Type 37
- 11 Straight/Type 10
- 12 Round Top/Type 34
- 13 Peninsula legs

GENERAL

4 heights:

- fixed with peninsula leg 720mm (seated height)
- fixed with peninsula leg 1050mm (standing height)
- fixed with base 730mm, to desktop edge
- telescopic with base with 680-1120mm Glass top available on H720 and H730mm.

TOP

- Top fixes to underframe
- Telescopic unit 680-1120mm can be folded vertically without tools
- Corner radius 3mm.

LEGS & STRUCTURE

- Fixed, column steel tube \varnothing 70mm, powder coated with epoxy resin paint, option chrome plated
- Telescopic, fully adjustable between 680-1120mm without tools by means of gas strut, column outer steel tube \varnothing 70mm, powder coated with epoxy resin paint, option chrome, inner steel tube \varnothing 50mm, chrome plated
- Base, die-cast aluminium, powder coated with epoxy resin paint, with castors \varnothing 65mm plastic, option glide plastic PA black, option base in polished aluminium
- Underframe sheet steel 8mm \varnothing 450mm, powder coated with epoxy resin
- Peninsula leg, sheet steel 2mm, powder coated with epoxy resin, incl. counterweight, column option chrome

MATERIAL

- Melamine 25mm, resin coated 3-layer particle board E1, PP edge 3mm

Disclaimer: Quotation will be provided based on actual project scheduled.



WORK POINTS

EUROPE || MANAGER OFFICE | B-FREE OCCASIONAL TABLE



Image for visual purpose only



DESCRIPTION

B-Free is a full range of modular furniture elements for all workspaces. They aim to design multiple and easily reconfigurable settings. B-Free creates focal points where people can connect, collaborate and concentrate.

B-Free Lounge is a family of elements for welcome and informal spaces. They aim at designing multiple and easily reconfigurable settings. B-Free Lounge creates focal points where people can meet, communicate informally or work together

FEATURES & BENEFITS

- B-Free offers convenient access to power, enabling users to recharge their technology devices.
- It is designed to accommodate temporary storage of mobile worker belongings (bag drop and bag stand).
- The transparent screen supports visual privacy and delimits boundaries in space.
- B-Free cube is designed ergonomically to comfortably suit various postures. The top block provides good lumbar support, while the armrest shape follows the natural shape of arm.

CERTIFICATIONS

Certifications can help you choose products that are environmentally sustainable and just right for your project. B-Free has achieved the following certifications:

Environmental Product Declaration
Product Environmental Profile
NF Environnement
NF Office Excellence Certifié
Blauer Engel
Indoor Advantage



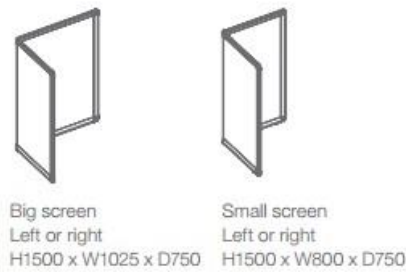
WORK POINTS

EUROPE || MANAGER OFFICE | B-FREE OCCASIONAL TABLE

OCCASIONAL TABLES



SCREENS



BAG DROP - BAG STAND



OCCASIONAL TABLES

STRUCTURE

- 12mm steel wire + 1,5mm thick steel tube (only coffee table + corner table) or 1,5mm thick steel plate (table stool), powder coated epoxy resin paint
- fitted with four glides clipped onto the framework

TOP

- 19mm thick melamine coated particle board, edge PP straight 1,7mm thick
- 4 x Radius 30mm at the corners

DIMENSIONS:

- Table stool W340xD380xH600mm,
- Coffee table W450xD750xH385mm,
- Corner table W750xD750xH385mm

SCREENS

BASE

- Steel tubular frame covered by a Polyester knit cover
- 3 adjustable glides (20mm)
- Can be shipped flat thanks to a PA6 moulded hinge
- Different connecting options based on Neodymium magnets:
 - to each other
 - to High table (for both solutions, magnetic flux can be above 1mT=1milliTesla in a perimeter of 10cm around magnets,)
 - to cube. When deciding to choose a right or left screen, the perspective must always be the one of a user sat on the cube

Disclaimer: Quotation will be provided based on actual project scheduled.



WORK POINTS

EUROPE | MANAGER OFFICE | VISALIA



Image for visual purpose only



DESCRIPTION

Sculpted and faceted, Visalia looks good from any angle. A fresh alternative to the tuxedo lounge, its top-stitched upper and lower facets can be upholstered in one material or two, for an attractive contrasting effect. Efficiently scaled, the Visalia Lounge can be grouped to promote collaboration or loosely arranged for relaxed reflection in offices, lobbies, or homes.

FEATURES & BENEFITS

- One, two, or three-seat lounge
- Ottoman and two-seat bench
- Contrast fabric or leather options
- Painted cast metal base in 9 color options

CERTIFICATIONS

Certifications can help you choose products that are environmentally sustainable and just right for your project. Visalia has achieved the following certifications:

SCS Indoor Advantage™

Gold Certified

level® 1 certified to ANSI/BIFMA e3 standard

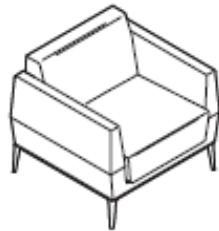


WORK POINTS

EUROPE | MANAGER OFFICE | VISALIA

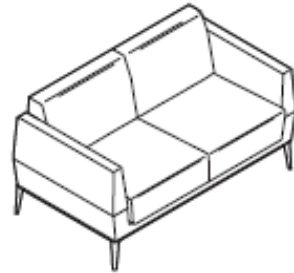
• LOUNGE & SOFA:

Lounge One-seat



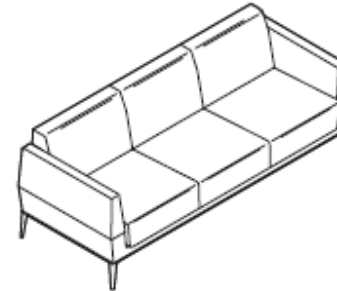
W806 x D737 x H711
Seat: W580 x D500 x H430
Arm: H580
Weight: 49kg

Sofa Two-seat



W1365 x D737 x H711
Seat: W1140x D500 x H430
Arm: H580
Weight: 77kg

Sofa Three-seat



W1873 x D737 x H711
Seat: W1650 x D500 x H430
Arm: H580
Weight: 101kg

GENERAL

Product features for Visalia include:

- Frame: 100% plywood
- Foam: Multiple densities of polyurethane
- Legs: Cast aluminium legs with paint options (refer to "How to codify")
- Finishes: Upper main upholstery and lower upholstery accent ribbon are assembled with double needle top stitch.

Notice: Some fabrics and leathers may appear loose with comfort wrinkles when upholstered.

Notice: When leather finish is specified, we recommend to select Elmosoft.

Disclaimer: Quotation will be provided based on actual project scheduled.



I. WORK POINTS

EUROPE | MANAGER OFFICE | HIGH – FRAMEONE + SHARE IT



Image for visual purpose only

Laminate
 Desk & Table



Veneer
 Desk & Table



Paint
 Frame



Fabric
 Chairs and Sofas

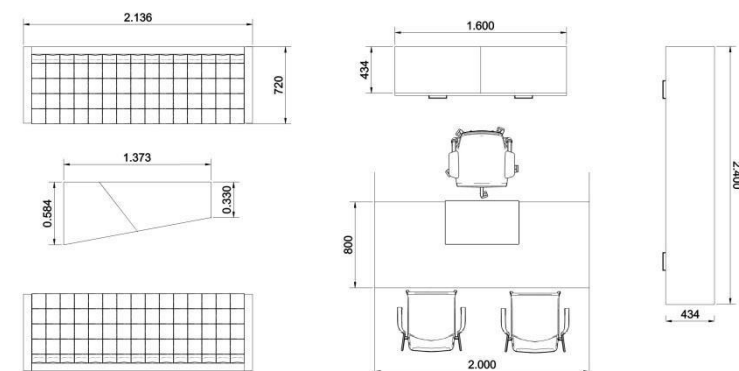


Leather Options available (upcharge)



A large variety of fabrics is available for our products. Please connect with our local dealer for a full list of materials and prices.

PLAN VIEW



ABOUT THE SOLUTION

- FrameOne Loop Desk 2000 x 800
- Share It 2 x 800 W x 434 Depth 2FH Plinth Storage
- Share It Open Shelves 2 x 800 W x 434 Depth 1FH
- Share It Drawer Unit 2 x 800 W x 434 Depth + 1 Open Unit 800 W x 434 Depth
- Gesture Task Chair
- Eastside Premium Visitor Chair
- Millbrae Contract Collection 3 seater sofa
- Sebastopol Low Table

Design Origins: Europe & America

Model Number:

- W3P12900 442A30
- D503DPAD 4145PMH
- W9R2B1310 COEB2723L
- W9ZA01700 COEB4118L
- W9F1T0300 COMFLA3
- W9R1B2330
- W9F1B2300
- W9ZA01100

LEADTIME: 5 – 8 weeks



Manufacturing Location:
 Sarrebourg, France
 Rosenheim, Germany
 Trade Goods, Poland
 Madrid, Spain
 Stribro, Czech Republic



WORK POINTS

EUROPE | MANAGER OFFICE | **MILLBRAE**



contract detail



lifestyle detail

Image for visual purpose only

DESCRIPTION

Work is changing. In the new era of productive mobility, there is a growing desire for collaborative spaces that transcend the ordinary of today's progressive places.

Millbrae offers two designs, two comforts, and two postures

FEATURES & BENEFITS

- The Contract line features firmer cushioning and a more upright posture for brief but productive interludes. Designed primarily for spaces like lobbies, welcome area, waiting room that welcome and host a certain number of people intensively, it allows you to create a true variety of configurations.
- The soft Lifestyle series is designed for the relaxed postures in social officing and residential setting. It creates a social feel in your workplace. Or comfortable-modern at home. It is generously proportioned with plush cushions and an elegant cross-stitch tufting detail.

CERTIFICATIONS

Certifications can help you choose products that are environmentally sustainable and just right for your project. Millbrae Contract has achieved the following certifications:

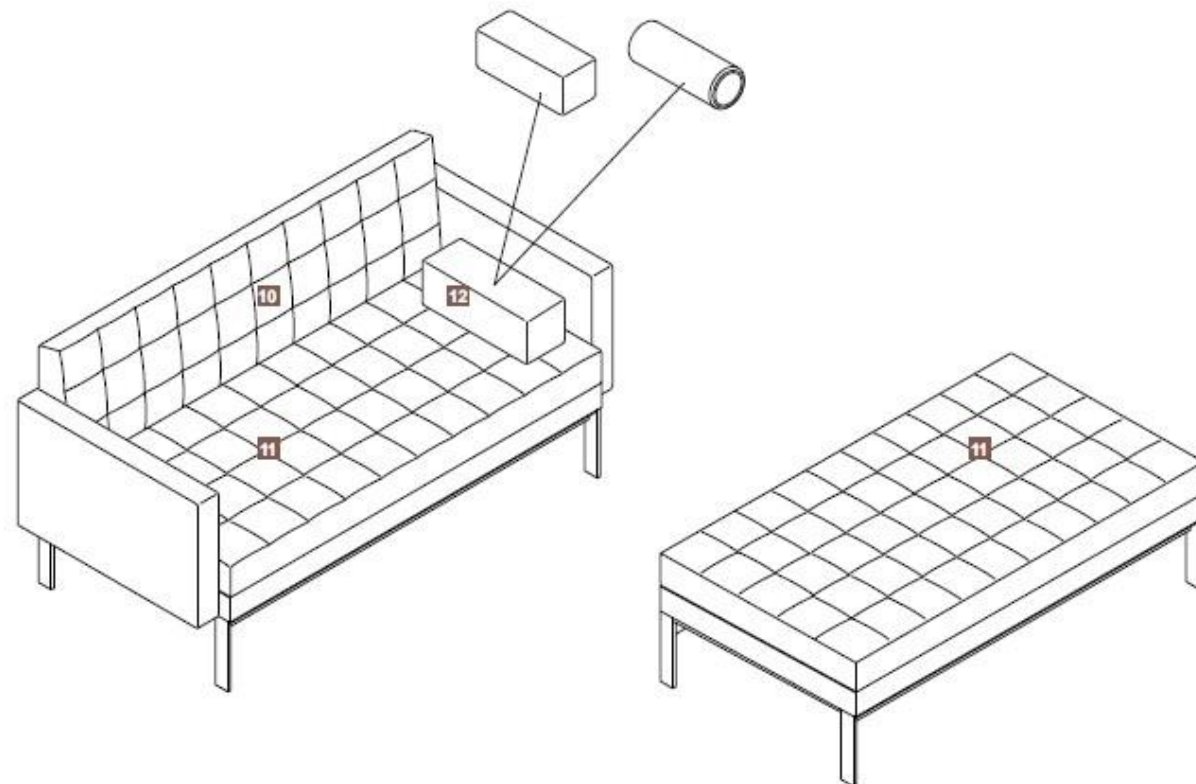
**SCS Indoor Advantage™
Gold Certified**

**ANSI/BIFMA e3 Level Certified
Level® 1**



WORK POINTS

EUROPE | MANAGER OFFICE | MILLBRAE



Millbrae Contract

- 10** Fully upholstered backrest with quilted pattern accents with double needle top stitch
- 11** Seat cushion with quilted pattern accents with double needle top stitch
- 12** Bolster (Round or Square)

GENERAL

CONTRACT COLLECTION

It has been designed for spaces like Lobbies, Welcome area, Waiting room, that welcome and host a certain number of people intensively.

- The Contract collection features firm cushioning. The lounge and sofas are available with or without armrests, or with only a left or right armrest (while seated on the sofa).

Notice: The position of the armrests (left/right) have to be selected from the point of view of somebody sitting on the sofa.

BOLSTERS

Complementary with both Contract and Lifestyle collections, we offer a range of bolsters.

Bolsters act like cushion and 'division' between seats:

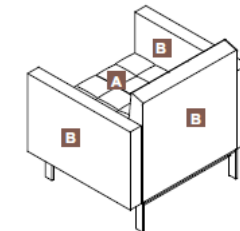
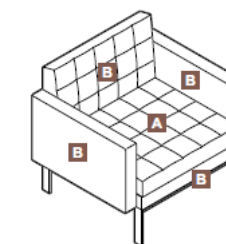
- Available in round or square shape



- They can be placed either along armrest or along backrest

Product features for the Contract Collection include:

- Frame: 100% plywood
- Legs : Cold roll steel 13mm x 44mm bent legs
- Legs finishes : Black Gloss as standard, or Brushed Nickel as optional (refer to "How to codify")
- Foams: Multiple densities of polyurethane
- Finish : Available in fabric or leather
- Ganging bracket: This element is optional and, when specified, it is supplied at no additional cost. The ganging bracket allows Millbrae elements to be joined together in order to create various configurations
- Quilted pattern accents with double needle top stitch
- You can specify a 2 tones version called contrasting fabric (refer to "Models and prices" and "How to codify"). The final price is established on the basis of the most expensive textile class – whether it is on the part **A** or the part **B**. When specifying Millbrae Lounge & Sofa in contrasting fabrics, you must select the style number with suffix 'K'.



Disclaimer: Quotation will be provided based on actual project scheduled.



WORK POINTS

EUROPE | MANAGER OFFICE | SEBASTOPOL



Image for visual purpose only



DESCRIPTION

Simple yet engaging. Solid yet open. Both surface and storage. Sebastopol redefines the occasional table. It moves easily and invites interaction. Pull it closer to make it your own. Push several together to create a generous centerpiece for groups.

Wherever it lands, Sebastopol ignores convention. The surprising interior gloss either contrasts or converges with your exterior veneer choice. The optional grommet and PowerPod make Sebastopol a convenient charging station. Two heights. Two shapes. Many possibilities.

FEATURES & BENEFITS

- Straightforward way of partitioning a room
- Acoustic absorption
- Clever cable management
- Available in many dimensions and multiple configurations
- Available in 2 frame thicknesses, 2 infill thicknesses, and several different infill options.
- Available in fabric, fabric acoustic, wood veneer, melamine or acrylic.

CERTIFICATIONS

Certifications can help you choose products that are environmentally sustainable and just right for your project. Sebastopol has achieved the following certifications:
level 1 certified



WORK POINTS

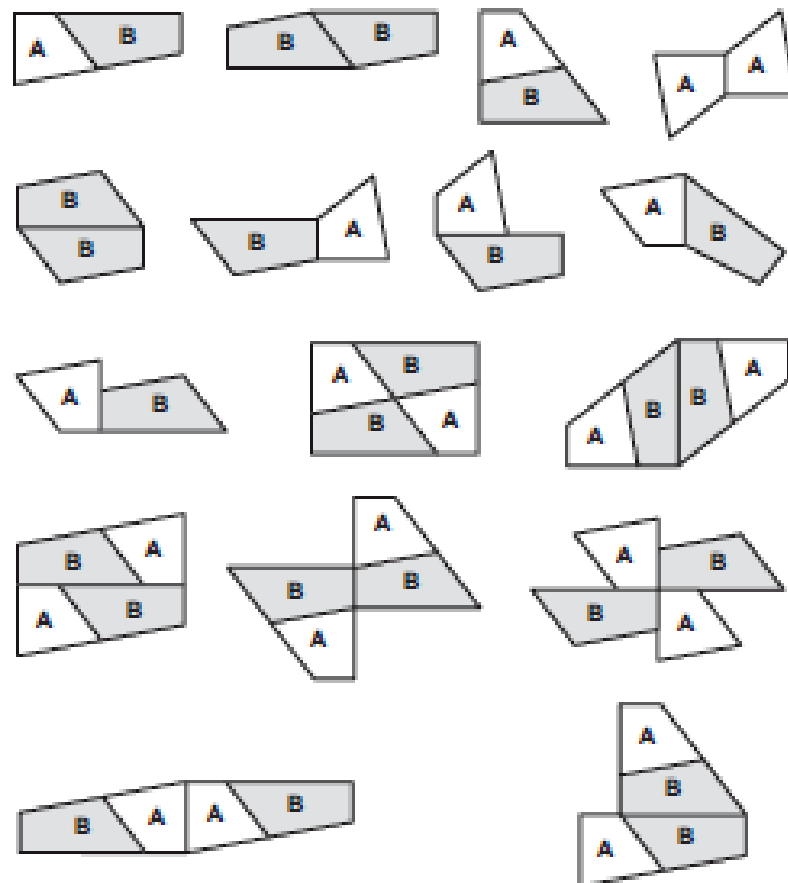
EUROPE | MANAGER OFFICE | SEBASTOPOL

Product Features

Two heights and two coordinating shapes.
 Exterior surface in veneer (12 species).
 Interior surface in glossy laminate (5 colours).
 Optional grommet adapted to host PowerPod.
 Adjustable glides.
 Available in sets of 2 or 4 tables (including a PowerPod).

Configurations

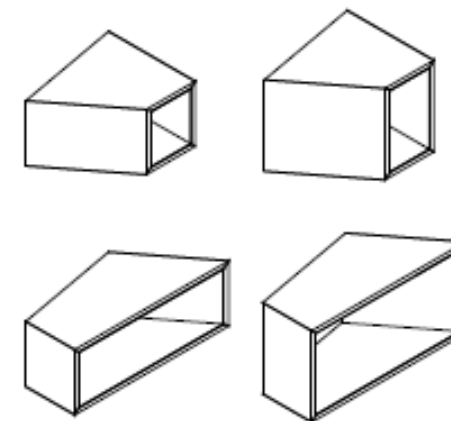
The following are just a few thought starters. To create these table configurations use the following pieces labelled either A or B in any combination of the two heights, or use them on their own as a stand-alone piece.



PRODUCT DETAILS

Product features for Sebastopol include:

- Two shapes (A and B), each shape being offered in two heights: H406 and H560 mm



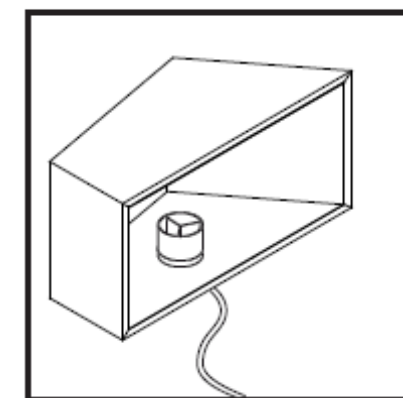
- Exterior surface: Veneer only with 12 different species (refer to "How to codify")
- Interior surface: Glossy laminate with 5 different colours (refer to "How to codify")
- Glides: adjustable
- Optional grommet.

- Exterior surface: Veneer only with 12 different species (refer to "How to codify")
- Interior surface: Glossy laminate with 5 different colours (refer to "How to codify")
- Glides: adjustable
- Optional grommet.

CABLE MANAGEMENT

Notice: Optional grommet can be specified in White Milk or Black (refer to "How to codify").

Notice: The grommet is adapted to host PowerPod. The PowerPod cord will exit out the bottom of the table.



Disclaimer: Quotation will be provided based on actual project scheduled.



I. WORK POINTS

EUROPE | QUIET ROOM – KALIDRO DESK



Image for visual purpose only

Laminate Desk & Table



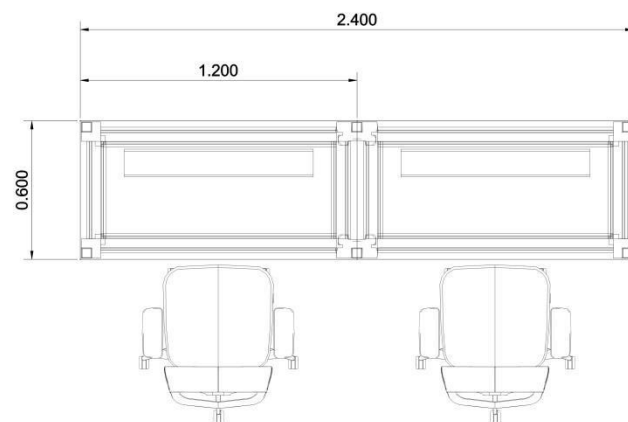
Veneer Desk & Table



Paint Frame



PLAN VIEW



ABOUT THE SOLUTION

- Kalidro Desk 2400 W x 600 D

Model Number:

W3711500
 W37FM020



Design Origins: Europe

LEADTIME: 5 – 8 weeks

Manufacturing Location:
 Rosenheim, Germany

Meeting Spaces

- Huddle Space - Small
- Huddle Space - Large
- Internal Meeting Room
- Training Room
- Video Conference Room



II. Meeting Spaces

Huddle Space Small



LOUNGE SETTING
Bfree Lounge

Huddle Space Large



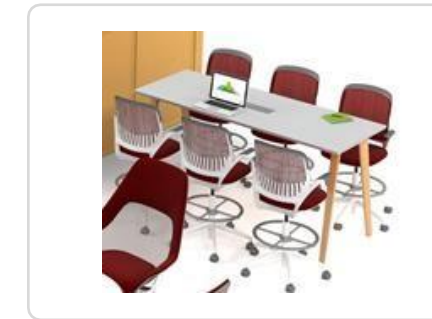
SETTINGS
Media:scape Lounge



SETTINGS
SW_1 Lounge



SETTINGS
Lagunitas



SETTINGS
Bfree table with Cobi

How to classify and use.

Each Huddle Space configuration shown above is divided into different option setting that is suitable in Huddle:

- **SMALL**
- **LARGE**



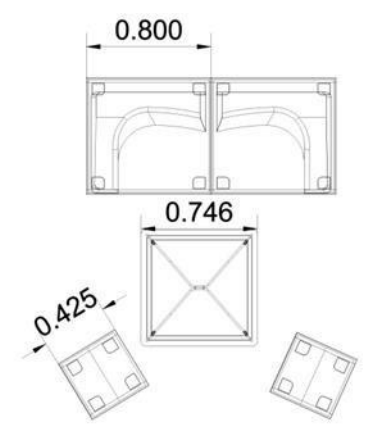
II. MEETING SPACES

EUROPE | HUDDLE SPACE - SMALL



Image for visual purpose only

PLAN VIEW



ABOUT THE SOLUTION

- A: B-Free 2.0 With L-shape armrest
- B: B-Free 2.0 Cubes
- C: B-Free 2.0 Occasional Table

Laminate Table



Veneer Table



Paint Frame



Fabric Seating



A large variety of fabrics is available for our products. Please connect with our local dealer for a full list of materials and prices.

Model Number:

- N3LC00050
- N3LC00040
- N3LC00010
- N3LT00450



LEADTIME: 5 – 8 weeks

Design Origins: Europe

Manufacturing Location:
 Sarrebourg, France



MEETING SPACES

EUROPE | HUDDLE SPACE – SMALL | B-FREE LOUNGE



Image for visual purpose only



DESCRIPTION

B-Free is a full range of modular furniture elements for all workspaces. They aim to design multiple and easily reconfigurable settings. B-Free creates focal points where people can connect, collaborate and concentrate.

B-Free Lounge is a family of elements for welcome and informal spaces. They aim at designing multiple and easily reconfigurable settings. B-Free Lounge creates focal points where people can meet, communicate informally or work together

FEATURES & BENEFITS

- B-Free offers convenient access to power, enabling users to recharge their technology devices.
- It is designed to accommodate temporary storage of mobile worker belongings (bag drop and bag stand).
- The transparent screen supports visual privacy and delimits boundaries in space.
- B-Free cube is designed ergonomically to comfortably suit various postures. The top block provides good lumbar support, while the armrest shape follows the natural shape of arm.

CERTIFICATIONS

Certifications can help you choose products that are environmentally sustainable and just right for your project. B-Free has achieved the following certifications:

Environmental Product Declaration
Product Environmental Profile
NF Environnement
NF Office Excellence Certifié
Blauer Engel
Indoor Advantage



MEETING SPACES

EUROPE | HUDDLE SPACE – SMALL | B-FREE LOUNGE



BIG CUBE - BASE

- two blocks: a bottom block for 435mm high seats, width 800mm and depth 760mm, a top block that can be added to achieve a height of 800mm
- OSB lower cube with corners in softwood from sustainable forests.
- a bottom 3mm thick hardboard plate is closing the structure
- the cube has square 60x60mm plastic Polypropylene glides. 2 adjustable and 2 non-adjustable (only for big cube)

SEAT

100mm thick high-resilience PU foam (density - 60kg/m³) on top of the seat

GANGING SYSTEM

- The ganging system is discreet and allows cubes to be attached together and well aligned when put next to each other.

BACKREST AND ARMREST

- I-shaped and L-shaped upper element are made up of an PPE structure (expanded polypropylene), covered with a PU foam thickness of 35mm average (density 40kg/m³)
- fastening is by means of a metal plate affixed to the cube structure
- L-shape upper element integrates the armrest function

SMALL CUBE - BASE

- a 425x425mm square block for 435mm high seats
- OSB cube with corners in softwood from sustainable forests.
- the cube has square 60x60mm plastic Polypropylene
- glides, non-adjustable

SEAT

- 70mm thick high-resilience PU foam (density 60kg/m³)

SWIVEL CUBE

• a painted set composed of a steel base plate, thickness 2.5mm, and of 4 sheaths welded on the base plate. Four castor covers (in Polypropylene) are clipped on the base plate. The whole set (base plate+ castor covers) is screwed on the OSB structure and will receive the four castors.

UPHOLSTERY CUBE:

- in addition to the seat molded foam, a 10mm thick foam covers the 4 sides
- a layer of cotton felt is placed between the seat and the fabric
- double top stitched cover stapled to the OSB structure

TOP BLOCKS

- in addition to the molded foam, a layer of cotton felt is placed between the seat and the fabric and a double top stitched cover stapled to the OSB structure

Disclaimer: Quotation will be provided based on actual project scheduled.



II. MEETING SPACES

EUROPE | HUDDLE SPACE – LARGE



Image for visual purpose only

Laminate Table



Fabric Seating and Panels

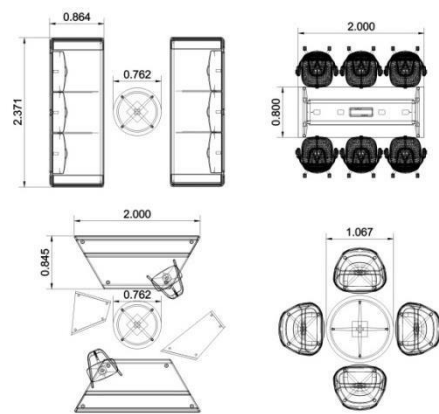


Mesh Lounge Seating



A large variety of fabrics is available for our products. Please connect with our local dealer for a full list of materials and prices.

PLAN VIEW



ABOUT THE SOLUTION

- A. Lagunitas High Screen Sofa 3 seat
- B: Media:scape Lounge Sofa/ Sebastopol Table /Free Stand Laptop stand
- C: SW_1 Lounge Chair / SW_1 Occasional Table
- D: B-Free High Table Wooden Legs / Cobi Draughtsman Chair

Design Origins: Europe & America

Model Number:

Lagunitas
 COLAGLH3
 COWORND30

Model Number:

Media:scape Lounge
 COEB4118L
 COEB2723H
 COCFS
 674000080

Model Number:

SW_1 Lounge
 COW612
 COWORND30
 COWORND42

Model Number:

B-Free Table & Cobi
 N3LTW0240
 483DSW



LEADTIME: 5 – 8 weeks

Manufacturing Location:

- Sarrebourg, France
- Rosenheim, Germany
- Trade Goods, Spain
- Trade Goods, US
- Trade Goods, Germany
- Trade Goods, Poland
- Trade Goods, Hungary

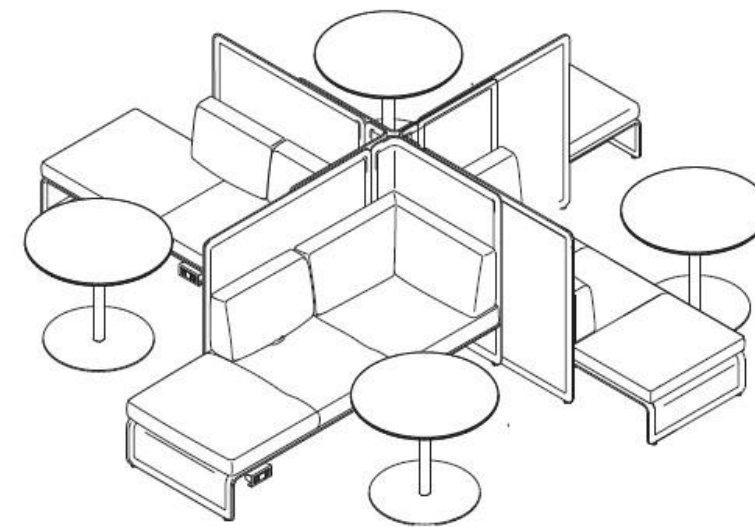


MEETING SPACES

EUROPE | HUDDLE SPACE – LARGE | LAGUNITAS



Image for visual purpose only



DESCRIPTION

From the conventional to the casual, Lagunitas adapts to changing workstyles and shifting work postures. A comprehensive seating and tables collection, Lagunitas creates a “third place” anywhere while offering multi-modal support and varying degrees of privacy through high and low panels. The unique articulating back cushion allows for toggling between lean forward and lean back postures. The 50 pieces within the collection allow for endless configurations and the seating and tables both offer power.

FEATURES & BENEFITS

- 2 or 3 seaters
- Articulating back cushion
- Low or high panels
- Seating and table offer power options
- Tables compatible with PowerPod
- Storage area underneath seat
- Work table, personal table and occasional table in varying sizes and heights

CERTIFICATIONS

Certifications can help you choose products that are environmentally sustainable and just right for your project. Lagunitas has achieved the following certifications:

**SCS Indoor Advantage™
Gold Certified**



MEETING SPACES

EUROPE | HUDDLE SPACE – LARGE | LAGUNITAS

Comfort is designed to increase over time

Comfort wrinkles are intended to occur over time to increase the comfort of Lagunitas. This is a natural characteristic of large upholstered products and intentional by design. Very little maintenance is required to reduce the definition: Use your hands to smooth the cushion fabric with a spreading/wiping motion. Perform as needed.



Lagunitas Lounge

Materiality

Select from a range of mesh, fabric and two-tone options to make a statement or blend right in.



Lagunitas Lounge

Articulating Cushion

The cushion toggles between work modes to transition from the focused to the informal.



Cushion Handle

Shifting between work modes is as simple as lifting a handle, built into every articulating back cushion.

Power

Plug-in with table-top and below the bench power options, or just unplug.





MEETING SPACES

EUROPE | HUDDLE SPACE – LARGE | **media:scape LOUNGE SOFA**



Image for visual purpose only



DESCRIPTION

media:scape lounge is a seating solution which offers an alternative to traditional sofa for waiting areas. People can move around, work in different postures and interact informally. Combined with media:scape, users have access to media while working in a more informal posture.

FEATURES & BENEFITS

- It creates collaborative work settings that support informal team work, especially when used with the low media:scape table - lounge height.
- It supports different postures which leads people to more productivity and effectiveness.
- The different elements to combine structures space to save square metres; the elements of this range allow for tailor made settings

CERTIFICATIONS

Product Environmental Profile (PEP)

This profile is in accordance with the objectives of ISO 14025, based on Life Cycle Assessment (ISO 14044).

CE Mark Declaration of Conformity

Indoor Air Quality Gold

PEFC (Programme for the Endorsement of Forest Certification)

The wooden components are labelled with PEFC (Programme for the Endorsement of Forest Certification)

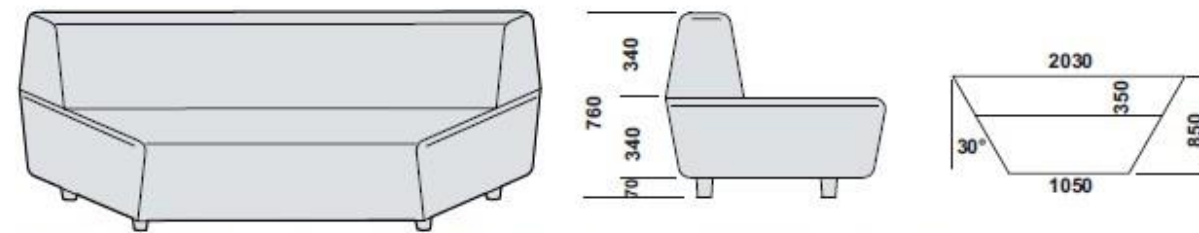


SUPPORT SPACES

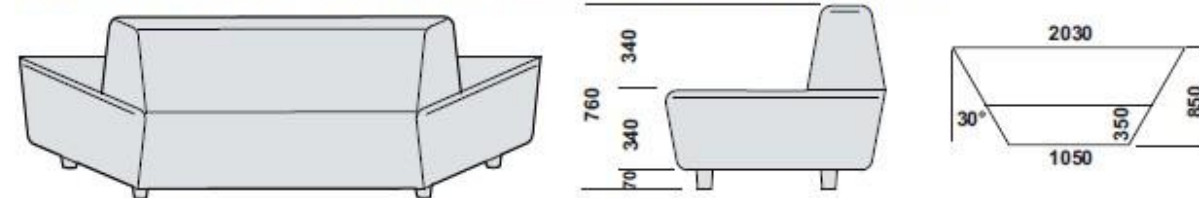
EUROPE | HUDDLE SPACE – LARGE | media:scape LOUNGE SOFA

Dimensions (mm)

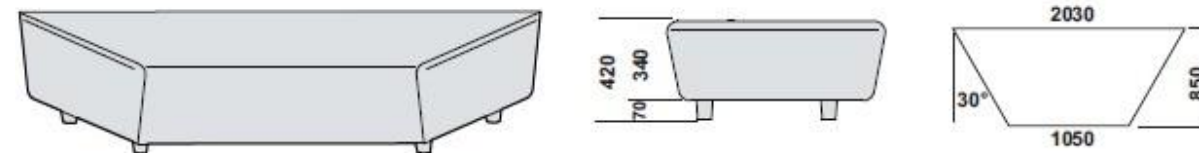
Straight lounge has a straight back which tapers to the front of the seat



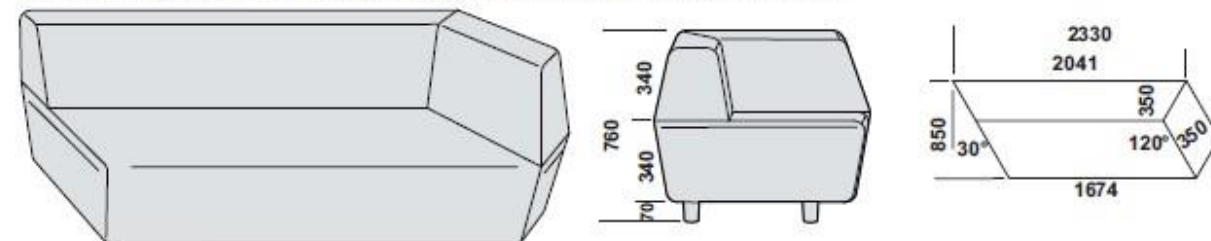
Straight inverted lounge has a straight back. It tapers from front to the back of the seat



Backless lounge is the same shape as the straight lounge and tapers to the front of the seat



Corner lounge (right & left) is either right or left handed in a seated position



Disclaimer: Quotation will be provided based on actual project scheduled.

GENERAL

- 7 versions: straight lounge, straight inverted lounge, backless lounge, corner lounge (right or left), lounge transition elements (right or left)

STRUCTURE

- **Base**
 - each unit has 4 polished aluminum glides, 70mm high, $\varnothing 60$ mm (+13 mm height adjustable)
- **Frame**
 - Wood structure: hardwood (beech), softwood (spruce), plywood (birch), particle board E1
 - all outer frame surfaces are made from 10mm plywood seat base is 16 mm particle board
 - cross beams in the seat and backrest comprise 16mm particle board
 - structure reinforced with 55x25 mm strong hardwood and softwood brackets
 - single parts are connected together with steel clamps
 - seat and backrest are joined with threaded screws

UPHOLSTERY

- **Seat**
 - seat: 100 mm cold foam (density: 55kg/m³)
 - sides, front and back: 13 mm foam (density: 50kg/m³)
 - a layer of cotton felt is placed between the seat and the fabric
- **Arms and backrest**
 - sides and back: 13 mm foam (density: 50kg/m³)
 - upper side and front: 40 mm cold foam (density: 55kg/m³)
 - A layer of cotton felt is placed between the seat and the fabric

CANOPY

- assembled canopy attaches to the backrest of the straight or corner lounge with concealed fasteners
- canopy is a formed aluminum plate
- Holes punched in the plate to mount panels and provide assembly to the lounge backrest
- inner panel is particle board, fabric is applied to the visible surface
- outer panels is particleboard (laminated or veneer) mounting brackets are steel



MEETING SPACES

EUROPE | HUDDLE SPACE – LARGE | FREE STAND



Image for visual purpose only



DESCRIPTION

Providing a stylish and durable surface wherever work takes you, the contemporary Free Stand by Coalesse is a mobile worksurface for laptops and tablets.

FEATURES & BENEFITS

- Providing a stylish and durable surface wherever work takes you, the contemporary Free Stand by Coalesse is a mobile worksurface for laptops and tablets.

CERTIFICATIONS

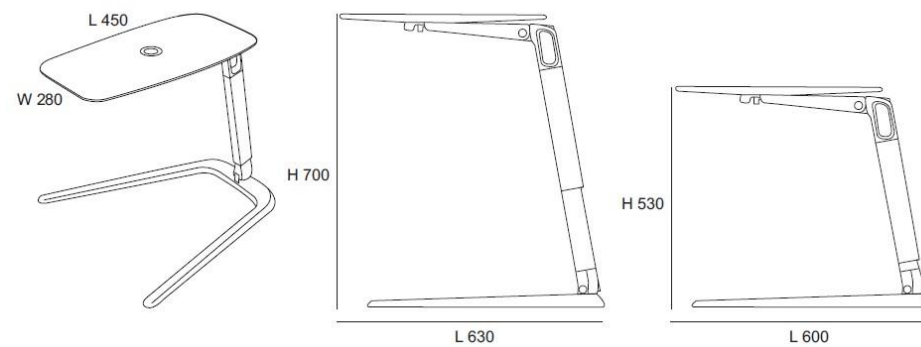
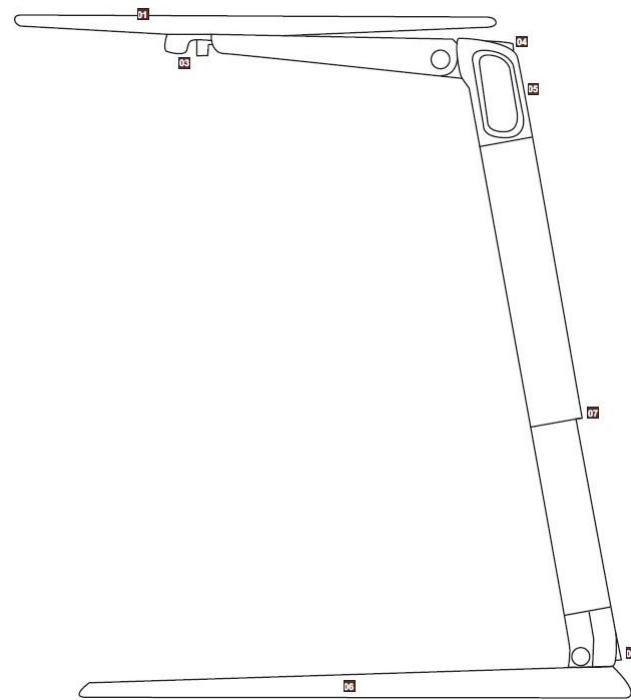
LEED CONTRIBUTION
Recycled content
Regional materials
Sustainable purchasing



MEETING SPACES

EUROPE | HUDDLE SPACE – LARGE | FREE STAND

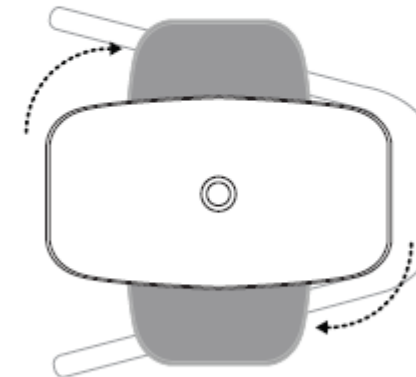
- 01 360° rotating soft touch top
- 02 Locking/unlocking button which enable Free Stand to be folded flat (H125mm when folded)
- 03 Top locking/unlocking lever
- 04 Height adjustment button (from H 530mm to H 700mm)
- 05 Handle
- 06 Base
- 07 Adjustable leg



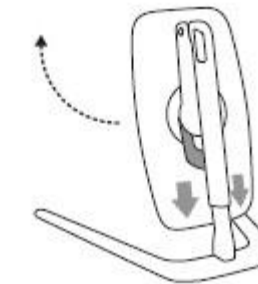
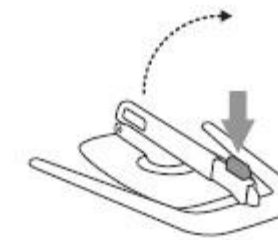
- **Free Stand acts as an ultra-light side table**, handy for anyone who uses a laptop.

- **Height-adjustable**, the leg can be extended from H 530mm to H 700mm.

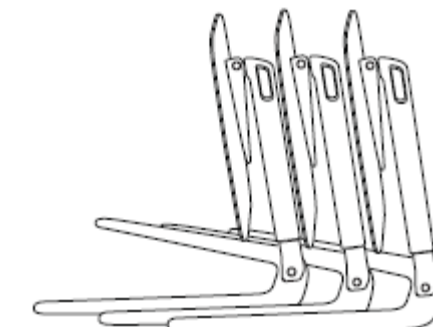
- **It features a top which can be rotated 360°** to adapt to the user's needs and postures (540mm x 280mm)



- **Handy due to its foldaway nature**, Free Stand vanishes in the blink of an eye when you need to switch to another activity. Once folded, it measures only 12.5cm in height, and can be easily transported with its built-in handle and feather-light weight of 5kg.



- **For easier storage**, the tablets can smartly fit against one another, allowing a saving of space.



- **Available in monochrome black**. Surface in soft touch grained ABS plastic. Structure with powder-coated paint, which lends the product additional durability.

- **Free Stand can support a maximum load of 16kg.**



MEETING SPACES

EUROPE | HUDDLE SPACE – LARGE | SW_1 OCCASIONAL TABLE



Image for visual purpose only



DESCRIPTION

A fitting solution for the new realities of workplace collaboration. Lower and more intimate. Wider and more comfortable. Lounge-inspired yet task-oriented. The backs breathe. The bases swivel. The tablets come to you. SW_1 is an eloquent rethink of the meeting room. A whole new system of collaborative possibilities.

FEATURES & BENEFITS

SW_1 tables are designed for collaboration. Available as a conference table, low conference table, and occasional table, each style seamlessly integrates technology for a practical and elegant workspace.

CERTIFICATIONS

SCS Indoor Advantage™
ANSI/BIFMA e3 standard

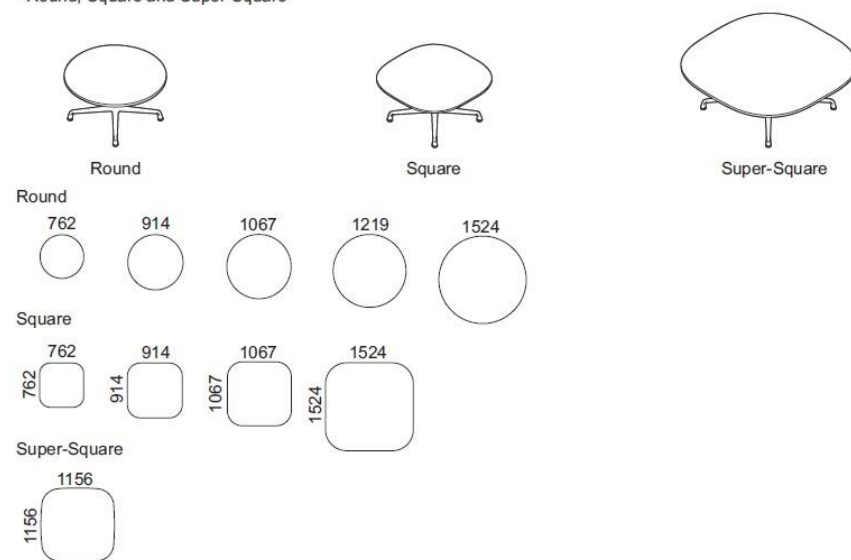


MEETING SPACES

EUROPE | HUDDLE SPACE – LARGE | SW_1 OCCASIONAL TABLE



• Occasional Tables (H380) :
 - Round, Square and Super-Square



Any Occasional tables configuration are preferably suitable with SW_1 Lounge seating, and offer perfect applications for Lobby and reception areas, informal spaces, or 1:1 rooms.

Product features for the Occasional tables include:

- The 14 mm thick top skin surface is available in the three different materials: laminate, veneer and back painted glass
- 32 mm thick bottom substructure is available in powdered MDF black or white-milk
- Base, tube leg and cone are in polished matte Aluminum
- Adjustable glides to uneven the floor
- Shipped ready-to assemble in the field.

Notice: Round and square tables with dimensions larger than diameter/length 1524 mm are always shipped in two parts. Rectangular and super elliptical tables with dimensions larger than L3048 mm are always shipped in two parts (please refer to the Product Overview section).

PowerPod can help you leverage the occasional height solution in the exact same way than on Low collaborative and Conference & Work tables, except for the following style numbers: COWORND30, COWORND36, COWOSQ30, COWOSQ36.

- **Adjustable levelling Glides** are available for levelling on uneven floors. The adjustment range is 19mm.



- **Tables base and structure** comes in a 4-star base for round and square tables. Come in a V-base for rectangular and super-elliptical tables, with or without in-line legs. The cone at the top of the base has a hole for cable routing to the wire manager and grommet option.

Bases are available in polished matte aluminium, with a 63.5mm diameter tube leg. The tube leg has a groove that accepts the vertical wire manager.

- **Tops are available in three materials:**

- Laminate (group 1)
- Veneer (group 2 and 3)
- Back painted glass (group 4)

- **The table top** is built into two parts:
 - The substructure, 32 mm thick (bottom)
 - The top skin, 14 mm thick (wearing the final finish choice).



MEETING SPACES

EUROPE | HUDDLE SPACE – LARGE | SW_1 LOUNGE CHAIR



Image for visual purpose only



DESCRIPTION

Crafted to redefine the concept of collaborative workspaces, SW_1 office chairs and lounge seating by Coalesse are comfortable, accessible, and completely unique.

FEATURES & BENEFITS

- Redefine the concept of collaborative workspaces with the SW_1 office and lounge seating collection. A breathable mesh back provides increased comfort for long work sessions. A swiveling base and open arms expand the view, increasing the flow of collaboration in any space. Matching ottoman available.
- Easy gliding feet
- Automatic return-to-center swivel base
- Recycled/recyclable cast aluminum legs
- Cushions can be re-upholstered
- level™ 1 certified

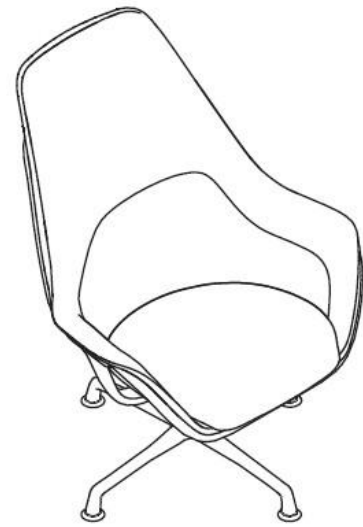
CERTIFICATIONS

SCS Indoor Advantage™
ANSI/BIFMA e3 Level Certified

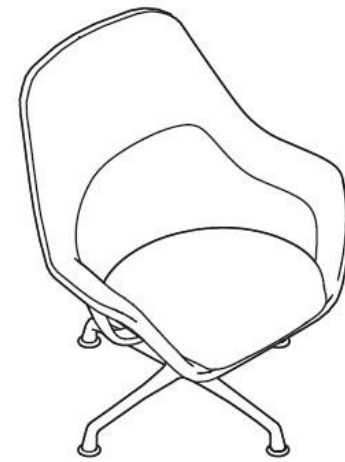


MEETING SPACES

EUROPE | HUDDLE SPACE – LARGE | SW_1 LOUNGE CHAIR



Highback

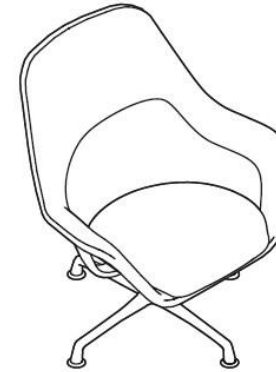


Mid-Back



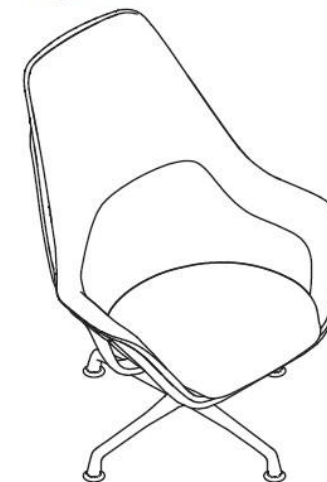
The Lounge seating is available in 2 different back heights:

• Mid-back



Overall: D717 / W819 / H1000
 Seat: D490 / W580 / H407
 Arm: H 584
 Weight: 23kg

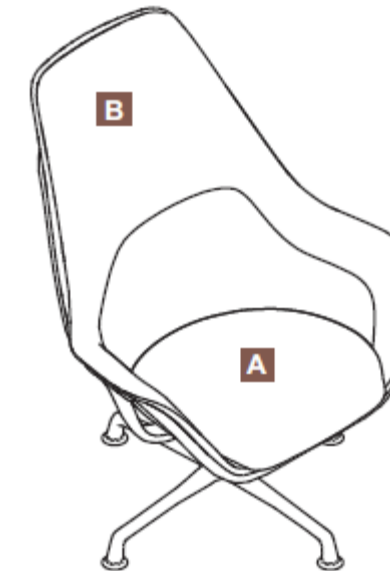
• High back



Overall: D 762 / W 819 / H 1060
 Seat: D 490 / W 580 / H 407
 Arm: H 584
 Weight: 24 Kg

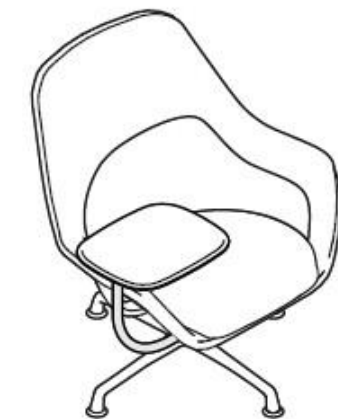
Product features for the Lounge include:

- Seat: fabric or leather (refer to "Finishes overview")
- Back: exclusive mesh available in 9 colours combined with any textiles (refer to "Finishes overview")
- You can specify a 2 tones version called contrasting fabric. (refer to "Models and prices" and "How to codify"). The final price is established on the basis of the most expensive textile class – whether it is on the seat **A** or the back **B**.



- Frame: steel tube
- Base: Matte Polished Aluminum as standard
- Glides: aluminum with non marking plastic insert
- Swivel return mechanism: Included as standard. In case you don't need this feature (refer to "How to codify")
- Tablet arm: can be ordered at any time as it has its own style number. It consists in:

- 2 style numbers, left and right handed (handedness is determined while sitting on the chair)
- Only for the lounge chair (high-back or mid-back)
- Can be retrofittable with current lounge chairs
- Plastic overmolded top (black or white-milk) and powder coated arm.
- Mounted on site very easily.



Tablet dimensions:
 D 300 / W 380 / H 640 (height from floor)

Disclaimer: Quotation will be provided based on actual project scheduled.



MEETING SPACES

EUROPE | HUDDLE SPACE – LARGE | B-FREE HIGH TABLE WOODEN LEGS



Image for visual purpose only



DESCRIPTION

B-Free creates the kind of informal, convenient spaces where team work comes naturally and collaboration flourishes. Workers have equal access to tools, displays and digital and analogue information. Plus it is easy.

FEATURES & BENEFITS

- Nearby informal spaces provide a welcome change during the work day; an opportunity to meet informally in a comfortable, relaxed posture, in a space at once removed yet still connected to the organisation.
- Changing posture boosts productivity and wellbeing. B-Free spaces work at stool or seated height to support short- and long-term tasks. Screens provide a subtle barrier from distractions, and power outlets and bag drops support technology and personal belongings.

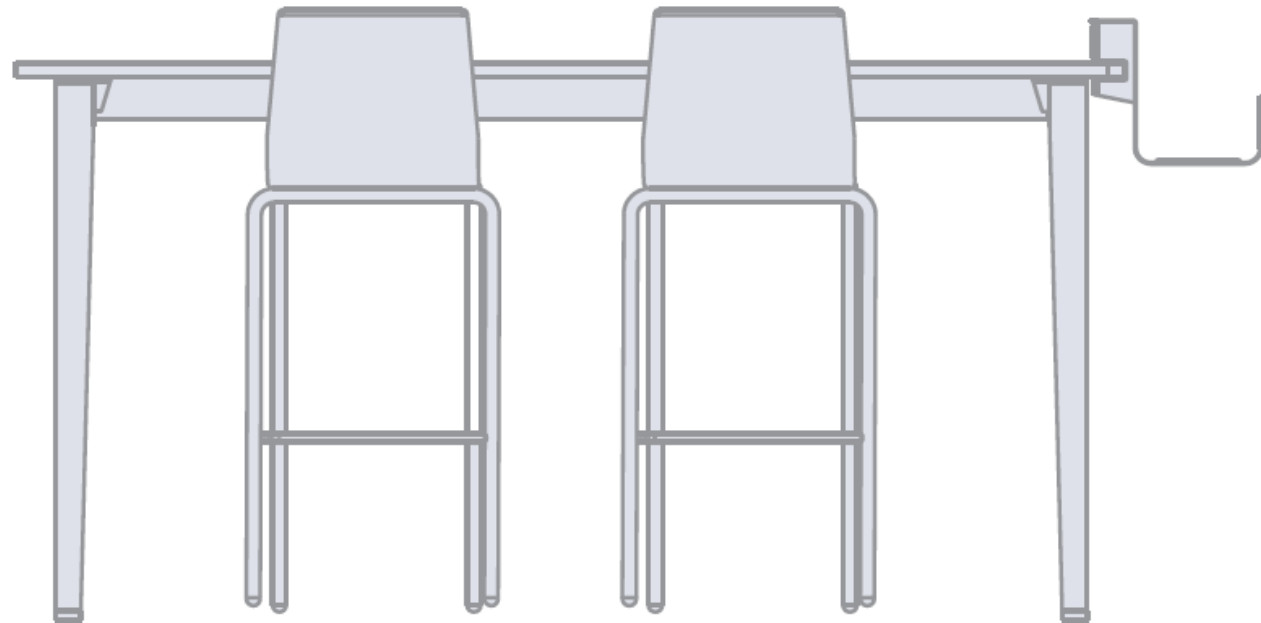
CERTIFICATIONS

Environmental Product Declaration
Product Environmental Profile
NF Environnement
NF Office Excellence Certifié
Blauer Engel
Indoor Advantage



MEETING SPACES

EUROPE | HUDDLE SPACE – LARGE | B-FREE HIGH TABLE WOODEN LEGS



STRUCTURE

Rectangular table or pint table

Wood legs

- Beech wooden legs
- 4 moulded polyamid adjustable 20mm glides

Horizontal steel beam

- 1,25mm thick bent steel beam, powder coated epoxy resin paint

Tops

Melamine

- 25mm thick melamine coated particle board E1 Edge 2.5mm PP straight
- 4 x 90° angles/Radius 3mm at the corners and Radius 3mm between tops surface and edgeband

Veneer top

- wood 25mm, veneered 3-layer particle board E1, veneer edge 3mm

Electrification

- For steel legs, in standard: cable management is integrated in the leg.
- For wood leg: power cable management through cable spine (additional accessory)
- In option:
 - integrated top access for table H1000 x 800mm and pint table
 - edge protections for additional electrification (when table is equipped with additional electrification by the customer)
 - connecting hub for tables D600mm

MEETING SPACES

EUROPE | HUDDLE SPACE – LARGE | COBI CHAIR



Image for visual purpose only



DESCRIPTION

cobi is a chair specifically designed to foster collaboration and keep participants focused and engaged. This collaborative chair encourages a variety of postures.

FEATURES & BENEFITS

- Every part of cobo is designed to flex and adjust to the body
- The chair's top flexing edge allows users to comfortably rest their arm on top of the chair
- The flexing seat encourages users to move and shift
- The flexing back contours to support any posture the body needs at any given moment

CERTIFICATIONS

Certifications can help you choose products that are environmentally sustainable and just right for your project. Cobi has achieved the following certifications:
Product Environmental Profiles (PEP)
Cradle to Cradle
Oeko-Tex 100 Standard
“MIDDLE EAST & AFRICAan Flower”
Indoor Advantage™ Gold certification

MEETING SPACES

EUROPE | HUDDLE SPACE – LARGE | COBI CHAIR

MECHANISM

- Type of mechanism
- Synchronised mechanism with a maximum tilt range of 11°, combined with automatic adjustment of the tilt tension according to the user's weight.
- A vulcanized rubber spring on a swivel pin reacts according to the user's weight. One end is attached to the seat, the other to the back, so as to ensure that the tilt tension adapts to the centre of gravity on the seat.

STRUCTURE

- Available in black or white.
- Coordination of colours:
- a black structure means that the flexing top edge, armrest pads and castors are in black
- a white structure means that the flexing top edge, armrest pads and castors are in grey
- adapts to the centre of gravity on the seat.

BASE

- coated with epoxy resin paint
- 5 double castors in black or grey injection moulded
- PA, Ø65mm
- Castor steel pins (hard or soft), clipped to the base
- Footrest (only available on draughtsman chair)

BACKREST

- 2 types of covers
- Without armrests
- Frame in injection moulded plastic (black or white)
- Connected to the adjustment mechanism by 2 runners and fixed with screws
- With armrests
- Same as without armrests
- Armrest integrated into the backrest structure
- With 2 soft-to-touch armrest pads

SEAT

- Shell in injection moulded PP
- Equipped with a leaf spring in fibreglass mounted onto a plastic bearing

UPHOLSTERY

- Upholstery only available from the Atlantic and Buzz2 range
- High-resilience moulded foam, 25 - 40mm thick with around 50kg/m³ density wrapped in fabric with a drawstring
- Removable upholstery screwed to the seat cover then onto the mechanism
- Frame in moulded PA with 33% fibreglass reinforcement, powder coated in epoxy resin paint
- Back shell in moulded PP, powder coated with epoxy resin paint, with a flexing edge in PP moulded around its upper section
- Shell only available covered in a "3D Connect" mesh. The 8 colours can be coordinated with the Atlantic upholstery available for the seat, thereby ensuring close colour coordination.

Automatic comfort

The last thing on most people's minds when they enter a meeting or conference room is the chair they choose to sit on. They want comfort and support - without having to think about it.

cobi provides comfort automatically and supports four main postures - **straight sitting, backward or forward leaning and leaning left or right**. cobi offers only one manual adjustment: the seat height. The rest is taken care of for you. The **weight-activated mechanism naturally puts you in the best position** of comfort from the start.

When you first sit in cobi, it senses your body weight and brings you the adequate amount of support adjusting the position that will put the least amount of stress on your body. **When you shift or move, cobi does the same; maximising comfort.**



Straight sitting



Backward



Leaning left or right



Forward



II. Meeting Spaces

Internal Meeting Room



SMALL
Kalidro (2 People)



MEDIUM
FrameOne (10 People)



LARGE
FrameOne (18 People)

How to classify and use.

Each Meeting configuration shown above is for internal use.

- **INTERNAL** – Internal Staff to use

Configuration shown above is divided into:

- **SMALL** – 2 people
- **MEDIUM** – 6 – 12 people
- **LARGE** – 12 – 20 people



II. MEETING SPACES

EUROPE | INTERNAL MEETING ROOM – 2 PAX - KALIDRO DESK



Image for visual purpose only

Laminate Desk & Table



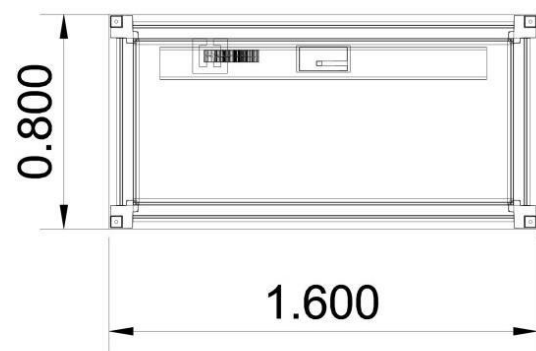
Veneer Desk & Table



Paint Frame



PLAN VIEW



ABOUT THE SOLUTION

- Kalidro Desk 1600 W x 800 D



Model Number:

W09EKK38
 W3A12700

Manufacturing Location:
 Rosenheim, Germany
 Madrid, Spain

Design Origins: Europe

LEADTIME: 5 – 8 weeks



MEETING SPACES

EUROPE | INTERNAL MEETING ROOM – 2 PAX | KALIDRO



Image for visual purpose only

DESCRIPTION

Kalidro is an **all-in-one workstation** for the essential demands of today's office. Kalidro is really **easy to set up** thanks to intuitive features like **height adjustment**, the simple fix version and smart cable management. What's more, Kalidro is beautiful to look at, with a **simplicity of design** that is pure elegance.

FEATURES & BENEFITS

- Kalidro makes life easy. Kalidro is easy to assemble and simple to adjust. The installation, removal or internal reorganization are simple and completed in seconds.
- Kalidro has a cable management that works for all your needs, no matter what you ask of cable management, Kalidro has the answer.

CERTIFICATIONS

Environmental Product Declaration (EPD)

With Kalidro we can provide an Environmental Product Declaration (EPD), according to the objectives of ISO 14025, based on Life Cycle Assessment (ISO 14044).

“Blauer Engel”

Kalidro complies with the German environmental certification “Blauer Engel”.

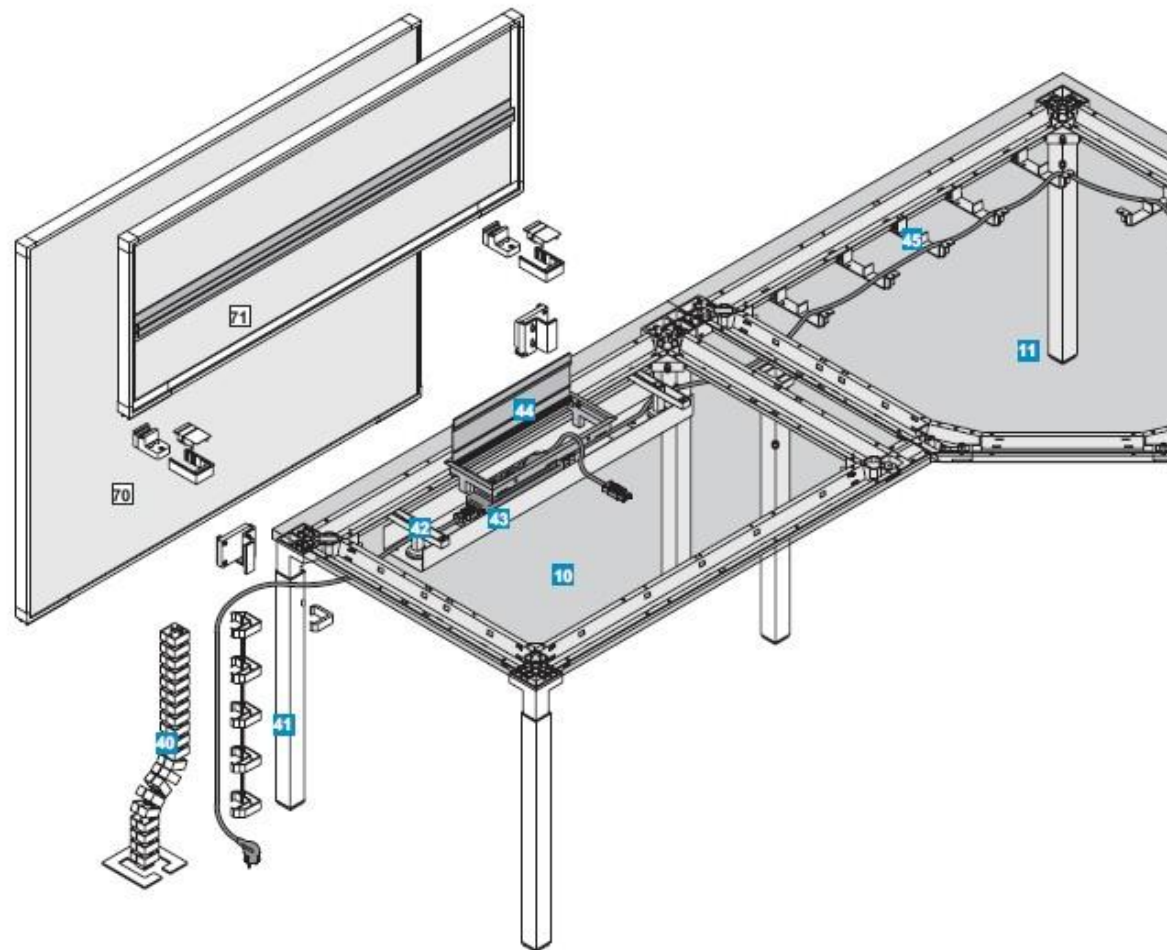
PEFC (Programme for the Endorsement of Forest Certification)

The wooden components of Kalidro are labelled with PEFC (Programme for the Endorsement of Forest Certification)



MEETING SPACES

EUROPE | INTERNAL MEETING ROOM – 2 PAX | KALIDRO



- 10 Straight type 10
- 11 Corner junction large 90°
- Cable management**
- 40 Vertical cable spine
- 41 Vertical cable clip
- 42 Horizontal cable tray, droppable (Option)
- 43 Triple power sockets with 3m power cable (Option)
- 44 Large horizontal cable box (Option)
- 45 Horizontal cable brackets (Standard)
- 46 Small horizontal cable box (Option)
- Modesty panel**
- 50 Modesty panel
- 70 Partito Screen, height adjustable (refer to Partito)
- 71 Partito Screen, on desk (refer to Partito)
- 72 Orgarail for desk with cut-out
- 73 Orgarail for desk without cut-out
- Accessories**
- 80 CPU holder
- 81 Castors ø50mm, (Option)
- 82 Single leg H620-860
- 83 Single leg H720
- Worktools (see Worktools)**
- 90 1+1 Letter Tray long
- 91 1+1 Long tray
- 92 1+1 Binder Holder
- 93 1+1 Hook

HEIGHT

- 620 mm base

LEGS & STRUCTURE

- legs fix to underframe
- middle/shared leg fixes to underframe

DESIGN

- square steel tube structure 45 x 45mm, powder coated with epoxy resin paint
- Leg to frame corner element/link – die-cast Aluminum, powder coated with epoxy resin paint, polished aluminum optional

MATERIAL

- Melamine 25mm, resin coated 3-layer particle board E1, PP edge 3mm

CABLE MANAGEMENT

Horizontal

- standard: cable carrier, plastic PA grey, fixes to underframe; cable clamp for cables
- option: cable tray fixes to underframe and can swing into an open position for easy access, sheet steel, powder coated with epoxy resin paint in frame color

Top

- Top access Plastic 173 x 82mm, lid and frame, grey plastic PA
- Top access Aluminum 330 x 125mm, anodized aluminum lid, grey plastic PA frame
- Integrated top access (L340xD115) flush with desktop, with soft and quiet opening and closing mechanism. Available in same finish as the top or painted lid in SL when the top finish is not available.

Vertical

- cable clips, translucent plastic, attached to leg, not available with H620-860mm
- cable spine 800mm, flexible grey plastic molded
- parts; can be fixed to cable brackets and cable tray cable outlets at rear edge of desk top W90mm x D27mm, grey plastic PA, for desk tops 25/19/14mm

Disclaimer: Quotation will be provided based on actual project scheduled.



II. MEETING SPACES

EUROPE | INTERNAL MEETING ROOM – MEDIUM 10 PAX - FRAMEONE



Image for visual purpose only

Laminate Desk & Table



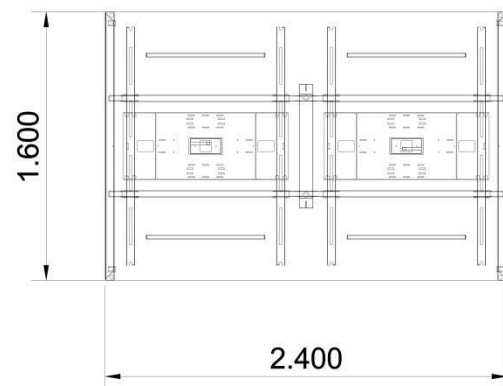
Veneer Desk & Table



Paint Frame



PLAN VIEW



ABOUT THE SOLUTION

- FrameOne Bench 2400 W x 1600 D



Model Number:
 W3G17X00

Manufacturing Location:
 Rosenheim, Germany

Design Origins: Europe

LEADTIME: 5 – 8 weeks



MEETING SPACES

EUROPE | INTERNAL MEETING ROOM – MEDIUM 18 PAX | FRAMEONE BENCH



Image for visual purpose only

DESCRIPTION

FrameOne has an elegant aesthetic with clean, simple lines and neat design touches that make a powerful statement in any work environment. Designed with both beauty and function in mind, FrameOne can offer a refined and refreshing solution, no matter what you ask of it.

FEATURES & BENEFITS

- FrameOne bench offers the integrated rail option to support work tools
- The sliding top is integrated
- The bench can be associated to work tools, lighting, screens and technology.
- The product features Bench applications with supporting storage
- Efficient cable management solutions
- Sustainability: 99% recyclable and composed of 34% of recycled material

CERTIFICATIONS

Environmental Product Declaration (EPD)

With FrameOne we can provide three Product Environmental Profiles (PEP), an environmental declaration according to the objectives of ISO 14021

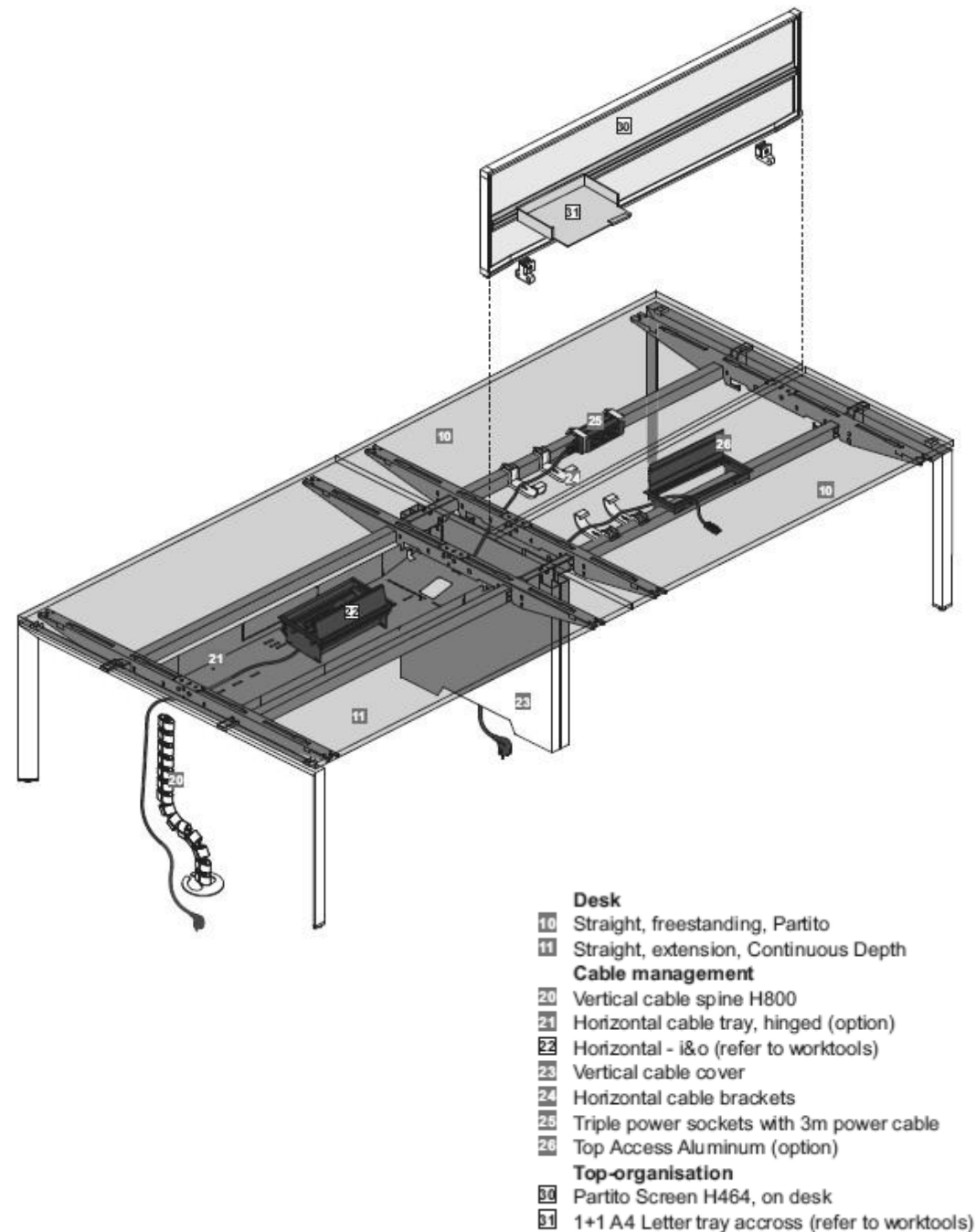
FrameOne complies with the German environmental certification “Blauer Engel”.

PEFC™ (Programme for the Endorsement of Forest Certification)



MEETING SPACES

EUROPE | INTERNAL MEETING ROOM – MEDIUM 18 PAX | FRAMEONE BENCH



GENERAL

- FrameOne bench always consists of a single structure or one structure and one or more extension elements
- Single structure includes a structure, 2 end legs and 2 tops
- Extension includes a structure, a middle leg and 2 tops
- Sliding desk top is standard

LEGS & STRUCTURE

- Triangular steel tubing, 55x55x74mm, powder-coated with epoxy resin paint
- Fixed height of H730mm with a levelling guide (+15mm)

MIDDLE LEGS FOR EXTENSION MODULES

- End legs and 2 middle legs are fixed to beam
- The middle legs accommodate the cable cover

STRUCTURE

- Underframe is made of steel components mechanically assembled with screws.
- 2 Steel tubes 40x50mm are linked to the legs and ensure the whole rigidity.
- A pair of glides fixed to the underframe enable the fixing of top.
- Hinged cable tray is fixed to sliding desk glides.

TOP

- Protech Top:
- 25 mm thick
- Edge 2.8mm PP straight
- 4* 90°angles/Radius 3mm at the corners
- Sliding desk top is standard

CABLE MANAGEMENT

On the desk

As an option:

- Top access plastic (173x82mm)
- Top access aluminum (330x100mm)
- Integrated top access (340x115mm) flush with desktop with soft and quiet opening and closing mechanism

Horizontal

- Option: cable brackets, plastic PA black, hooked onto underframe
- Option: cable tray, hinged, hooked onto sliding desk top glide, sheet steel, powder coated with epoxy resin paint always in G3 colour. Cable stop in cable tray.

Vertical

- As an option: translucent flexible cable spine fixed under
- the cable tray (two-way segregation+ cable stop)
- Steel sheet cable cover, powder coated with epoxy resin paint fixed to the extension modules middle legs (L670xP691xH705mm).

Side modesty panel

- fixed to side frame with adapter

Material

- TechTop 14mm, laminated board with high density core, PP edge 2mm
- Glass 6mm, etched one side
- Accessories
- CPU holder, steel sheet powder coated with epoxy resin
- paint, including strap, fixed to underframe

Disclaimer: Quotation will be provided based on actual project scheduled.



II. MEETING SPACES

EUROPE | INTERNAL MEETING ROOM – MEDIUM 18 PAX - FRAMEONE



Laminate Desk & Table



Veneer Desk & Table

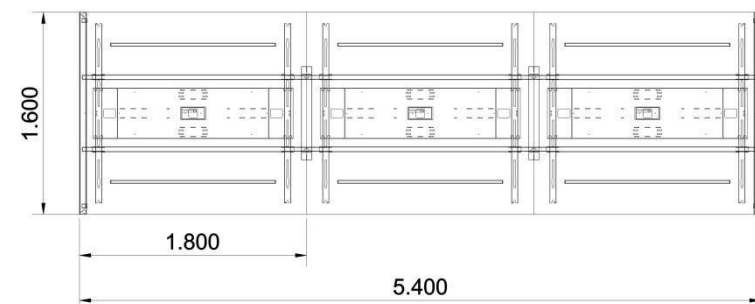


Paint Frame



Image for visual purpose only

PLAN VIEW



ABOUT THE SOLUTION

- FrameOne Bench 5400 W x 1600 D



Model Number:

W3G17800
 W3G27800

Manufacturing Location:
 Rosenheim, Germany

Design Origins: Europe

LEADTIME: 5 – 8 weeks



II. Meeting Spaces

Training Room



SMALL
FlipTopTwin Table (2 People)

Video Conference Room



SMALL
Verb Table (2 People)

Configuration shown above is divided into different setting of:

- **TRAINING**
- **VIDEO CONFERENCE ROOM**



II. MEETING SPACES

EUROPE | TRAINING ROOM – FLIPTOP TWIN



Laminate Desk & Table



Veneer Desk & Table

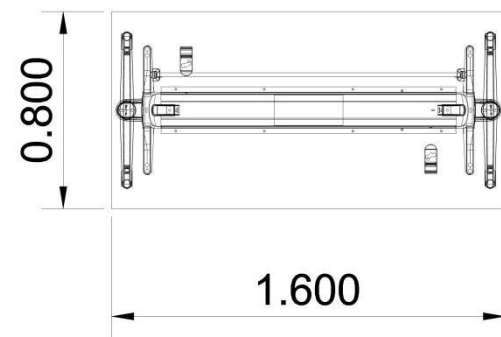


Paint Frame



Image for visual purpose only

PLAN VIEW



ABOUT THE SOLUTION

- FlipTop Twin Foldable Table on Casters 1600 W x 800 D
- With modesty Panel
- Non-modesty panel is available at lower cost.



Model Number:

W4D12700
 W4DR070M

Manufacturing Location:

Sarrebourg, France
 Rosenheim, Germany
 Trade Goods, Poland
 Madrid, Spain
 Stribro, Czech Republic

Design Origins: Europe

LEADTIME: 5 – 8 weeks



MEETING SPACES

EUROPE | TRAINING ROOM | FLIPTOP TWIN



Image for visual purpose only

DESCRIPTION

FlipTop Twin is a **clever and flexible table** for meeting or training rooms.

It is very intuitive: **the top can be flipped from both sides, to both sides**. Once the top is flipped, the tables can be stored in a space saving way. It takes less than 30 seconds per table for assembly

FEATURES & BENEFITS

- FlipTop Twin allows easy and fast installation, reconfiguration and disassembly after use
- The pre-assembled electrification allows quick installation and easy user access to power
- Some handles have a double click function to avoid unintentional use
- 5 top shapes available in different sizes
- veneer finish

CERTIFICATIONS

Environmental Product Declaration (EPD)

With FlipTop Twin we can provide three Product Environmental Profiles (PEP), an environmental declaration according to the objectives of ISO 14021 ; **“Blauer Engel”**

FlipTop complies with the German environmental certification “Blauer Engel”.

PEFC™ (Programme for the Endorsement of Forest Certification)

The wooden components of FlipTop Twin are labelled with PEFC™

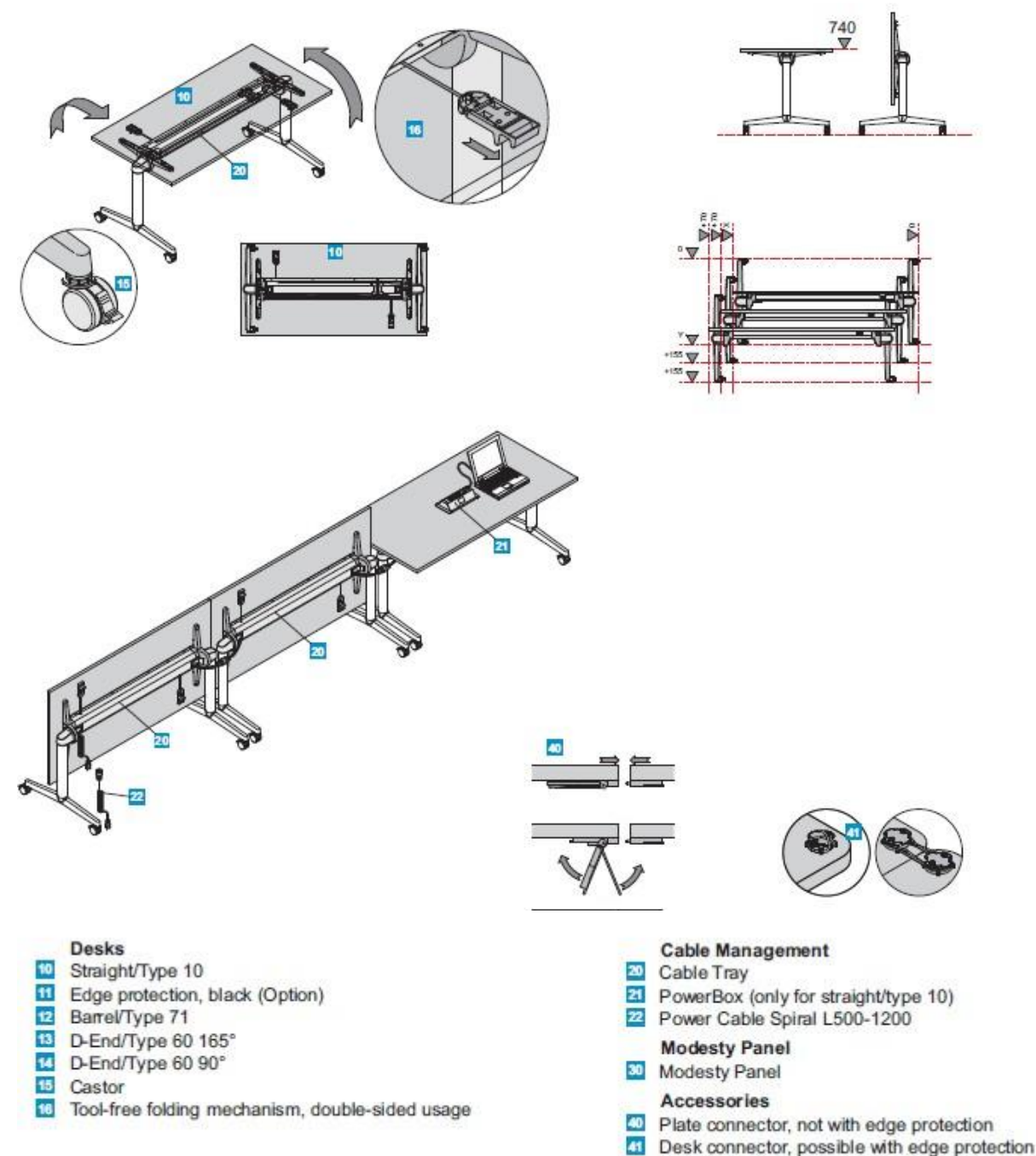
“E1 Standard”

The particle boards comply with the low emission “E1 Standard” (EN13986).



MEETING SPACES

EUROPE | TRAINING ROOM | FLIPTOP TWIN



GENERAL

- Height 740mm
- Tool-free folding mechanism, double-sided usage, top can be flipped to both sides; automatically locks into parking or user position

END FRAMES

- Die-cast aluminium stabilizing foot, powder-coated with epoxy resin; polished alu stabilizing foot optional; lockable castors
- ø65mm plastic PA6 Platinum Metallic (Silver) grey/black
- Height adjustment+10mm

JUNCTIONS

- Via top connectors, not via edge protection
- Via table connectors, also possible with edge protection

MATERIAL

- Melamine 25mm, resin coated 3-layer particle board E1, PP edge 3mm

TOP

- Top screws into cantilever and cable tray
- Corner radius: 3mm

CABLE MANAGEMENT

Horizontal

- PowerBox option: comprises built-in housing, triple socket (UK double socket incl. fuse), power cable and connection cable (connection standard GST 18) For the power supply, a separate GST 18 connection standard power cable is required
- Built-in housing W280mm x D124mm, plastic PA6,
- centred in the middle of the table, access to triple
- socket, triple socket can be swivelled into cable tray
- Horizontal cable passage: concealed in cable tray

Modesty panel

- Height 280mm, attaches to top via adapter
- Automatically locks into parking or user position

Material

- Melamine 16mm, decorative wood-based board with melamine-coated surface type MFB DIN EN 14322 class E1, PP-edge 2mm
- Wood veneer 16mm, veneered particle board DIN EN 312 type 2 class E1, veneer edge 2mm

Disclaimer: Quotation will be provided based on actual project scheduled.



II. MEETING SPACES

EUROPE | VIDEO CONFERENCE ROOM – VERB TABLE



Laminate
Desk & Table



Paint
Frame

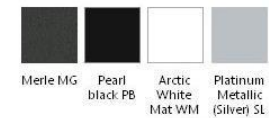
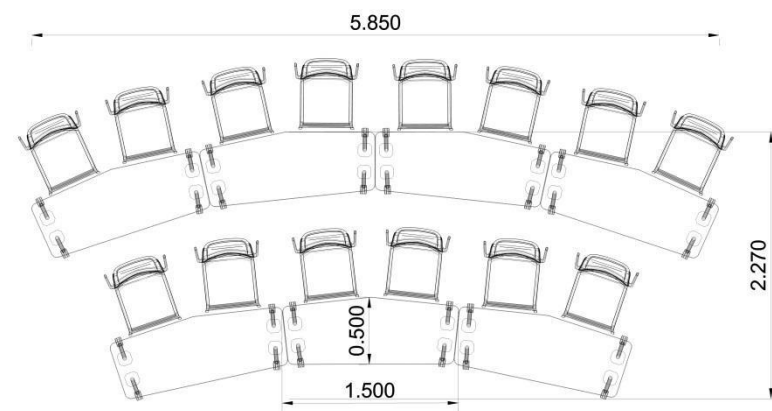


Image for visual purpose only

PLAN VIEW



ABOUT THE SOLUTION

- Verb – Chevron
- 1500W 500D
- With Lockable Castors

Model Number:

VTC15050



Design Origins: America

Manufacturing Location:
 Rosenheim, Germany

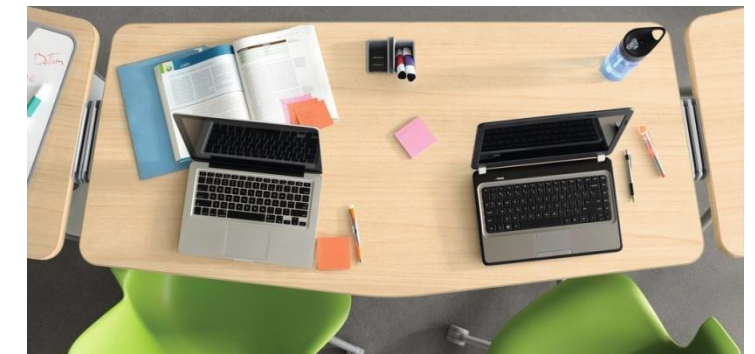


MEETING SPACES

EUROPE | VIDEO CONFERENCE ROOM | VERB



Image for visual purpose only



DESCRIPTION

Verb is an integrated collection of classroom furniture including tables, whiteboards, and instructor stations designed to support a full range of teaching and learning styles.

FEATURES & BENEFITS

- The mobile school tables encourage easy shifts between lecture, discussion, and project work.
- Its unique shapes promote interaction.
- A variety of sizes allows Verb to work in any classroom.

Different versions:

- Verb tables
- Verb instructor station
- Verb whiteboard
- Verb whiteboard display + storage

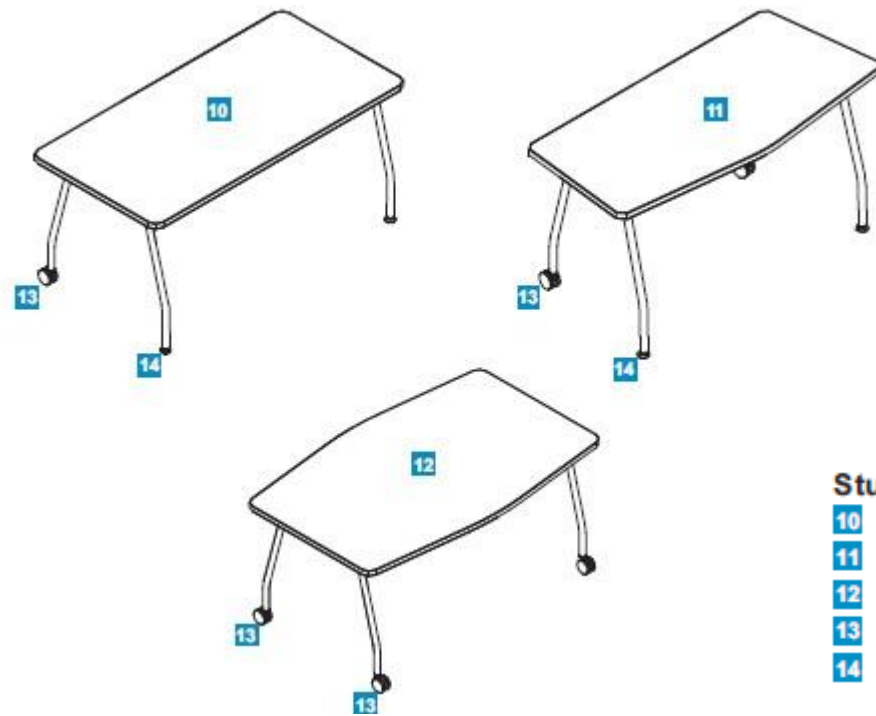
CERTIFICATIONS

“PEP – Product Environmental Profile – Targeted
PEFC – Programme for the Endorsement of Forest Certification
E1 – Low concentration of formaldehyde in wood
SCS Indoor Advantage™ Gold – Targeted
Blauer Engel – Targeted”



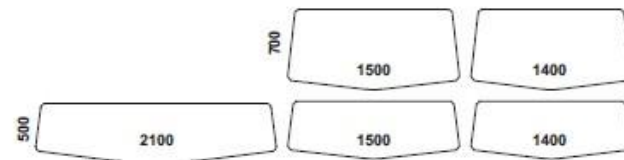
MEETING SPACES

EUROPE | VIDEO CONFERENCE ROOM | **VERB**



- Student tables**
- 10** Rectangle student tables
 - 11** Chevron student tables
 - 12** Chevron team tables
 - 13** Castor
 - 14** Glide

Chevron student tables



Chevron team tables



FRAME

- Height 750 mm
- All Verb tables come standard with the access leg with locking casters and/or glides.
- Legs are in welded steel tubes (2.5mm thick) and steel plate (5mm thick), some tops use brace(s) in steel tube (2mm thick)

TOP

- Melamine with overlay, 25mm thick
- Inserts M6 insure the connection of the legs, brace(s) and all accessories
- Edge 3mm PP straight

Castors

- 75mm locking castors
- In Polyamide 6
- Always black

Glides

- 6mm high and with diameter 36mm
- In Polyamide and M10 steel screw for 15mm leveling
- Always black

Disclaimer: Quotation will be provided based on actual project scheduled.

Work Support Spaces

- Locker
- Compactus
- Pedestal



III. Work Support Spaces

Locker



**LOCKER
SHARE IT**

Pedestal



**STORAGE PEDESTAL
IMPLICIT**

Compactus
Room



**COMPACTUS ROOM
UNIVERSAL STORAGE**

How to classify and use.

Each product shown above are types of storages proposed for:

- **LOCKERS**
- **COMPACTUS ROOM**
- **PEDESTAL**



III. WORK SUPPORT SPACES

EUROPE | LOCKER – SHARE IT



Laminate
Volume and Top

Snow WY	Natural maple 160 ET	Beech 180 MM	Crystal 230 GO	Ash Noce 21AN	Ash Wenge 21AW	Bisque Noce 21BN	Bisque Wenge 21BW
Clay Noce 21CH	Clay Wenge 21CW	Storm Noce 21SH	Storm Wenge 21SW	Acacia AT	Seagull B7	Clear Walnut CW	Clear Oak AK

Veneer
Volume and Top

Natural oak CC	Black Oak CG	Canadian maple ER	Shady beech HP	Natural beech HW	Shady Cherry MK	American Walnut Quarter Cut NU	Natural cherry OZ	Wenge style WE
----------------	--------------	-------------------	----------------	------------------	-----------------	--------------------------------	-------------------	----------------

upcharge

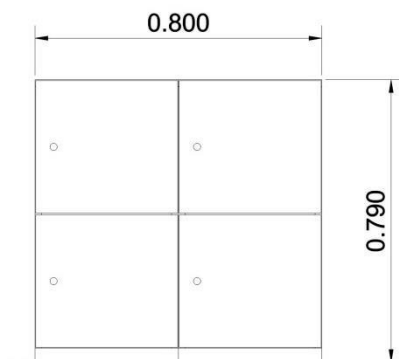
Paint
Metal

Grey 3 G3 17/04/17	Pearl black PB	Pearl Grey 0 ZH	Merle MG	Artic white mat WM	Midnight metallic MI	Stirling metallic ST
Nickel NI	Platinum Metallic (Silver) SL	Pearl snow ZW	Pearl champagne metallic CH ZF 17/04/17	Champagne metallic CH		

upcharge

Image for visual purpose only
 Price quote in Standard finishes

PLAN VIEW



ABOUT THE SOLUTION

- Share It Locker
- 4 hinged door

Model Number:
 W9D2S11W0



Manufacturing Location:
 Stribo, Czech Republic

Design Origins: America

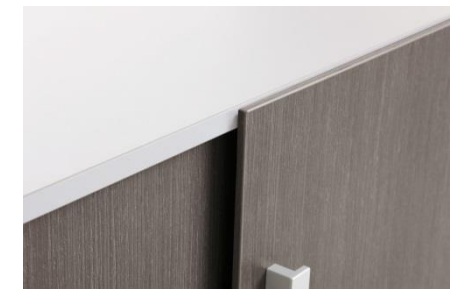
LEADTIME: 5 – 8 weeks



STORAGE
EUROPE | CABINETS | SHARE IT



Image for visual purpose only



DESCRIPTION

Share It is a modular storage system. It offers personal storage, team storage, meeting point solutions and lockers. Share It can be also used as space dividers, structuring workspaces.

FEATURES & BENEFITS

- Share It is modular and offers endless planning possibilities
- The range enhances collaboration providing communication platforms (Glass fronts can be written on and modules can support impromptu meetings)
- Share It helps people concentrate thanks to acoustics absorbing surfaces
- It offers wide range of finishes for different workplace ambiances (elegant with thin door look & sleek and simple)

CERTIFICATIONS

- **Environmental Product Declaration (EPD)**
- **PEFC (Programme for the Endorsement of Forest Certification).**
- **“E1 Standard”**
- **“Blauer Engel”.**
- **NF Environnement**

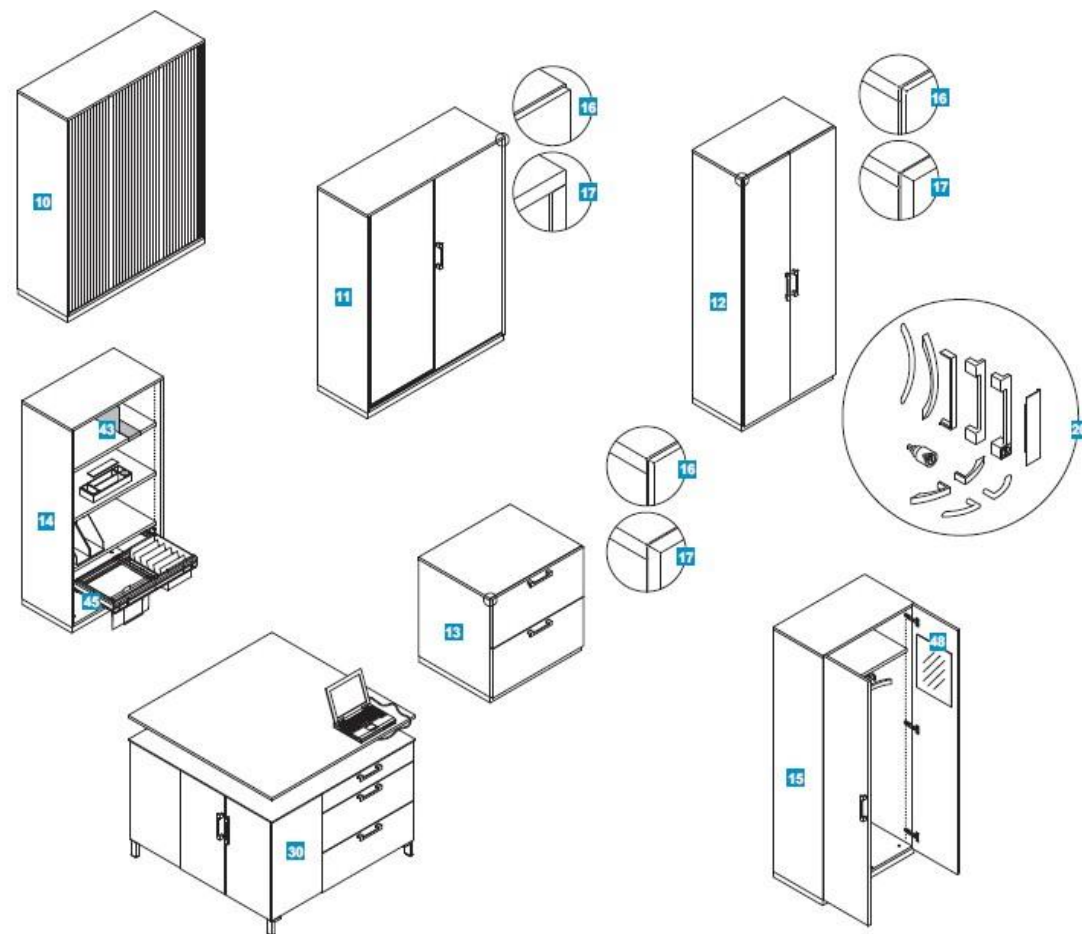


STORAGE

EUROPE | CABINETS | SHARE IT

- Cupboards**
- 10 Side opening tambour door single unit
 - 11 Sliding doors single unit
 - 12 Hinged doors single unit
 - 13 Drawer units single unit
 - 14 Open shelves single unit
 - 15 Wardrobe
 - 16 Front 8mm
 - 17 Front 19mm
 - 18 Frame
 - 19 Plinth
 - 20 Handles (Option)
 - 21 Side opening tambour door modular bottom unit
 - 22 Open shelves modular middle unit
 - 23 Side opening tambour door modular top unit
 - 24 Sliding doors modular bottom unit
 - 25 Open shelves modular top unit
 - 26 Drawer units modular bottom unit
 - 27 Hinged doors modular top unit
 - 28 Hinged doors modular bottom unit

- Meeting Point**
- 30 Meeting Point
- Accessories**
- 40 Additional back panel (Option: acoustic)
 - 41 Continuous additional top
 - 42 Lateral File Frame
 - 43 Book support
 - 44 Centre Piece with Reference Shelf, not for H725
 - 45 Suspended File Frame
 - 46 Sets for Drawers
 - 47 Personal lockable compartment
 - 48 Mirror
 - 49 Shelves for suspended files



CARCASS MATERIAL THICKNESSES

- Carcass sides and base in melamine/wood veneer: 19mm thick
- Back in melamine, option: acoustic 8mm thick

FRONT Hinged doors (HDC)

- Front 19mm:
 - Melamine
 - Structured melamine
 - Wood veneer
 - Acoustic
- Metal hinges with 110° opening angle (nickel plated) Option (with front 19mm): metal hinges with 180° opening angle, nickel plated
- Integrated damping in Standard for 19 and 8mm hinged doors

BUILT-IN PARTS

Shelf

- Sheet steel (24mm thick) powder coated with epoxy resin paint, black.
 - Option: metallic aluminium
 - Useable depth:
 - 378mm with cupboard depth 434mm
 - 291mm with cupboard depth 334mm
 - 570mm with cupboard depth 626mm
 - Max. load 75kg/m²
- Melamine or wood veneer (19mm thick)
 - Max. load 75kg/m²
 - Maximum width 800mm
- Shelf with reference shelf (30mm thick): 2 FH with foot has limited use for binders

Connecting shelves

- Melamine and wood veneer (19mm thick)
- Useable depth 380mm
- Max. load 75kg/m²

Anti-tilt safety (see assembly instructions)

Absolutely necessary for cupboards with drawers and with freestanding cupboards from 4FH:

- Counterweight
- Anti-tilt device

With cupboards from 5FH:

- Wall mount fixings for every 5th cupboard, screw
- together adjoining cupboards

Disclaimer: Quotation will be provided based on actual project scheduled.



III. WORK SUPPORT SPACES

EUROPE | STORAGE PEDESTAL - IMPLICIT



Laminate
Volume and Top

Snow WY	Natural maple 180 ET	Beech 180 HM	Crystal 230/G9	Ash Noce 2LAN	Ash Wenge 2LAW	Bisque Noce 2LSH	Bisque Wenge 2LWV	Chili Red AL	Ocean Blue AU
Clay Noce 2LCH	Clay Wenge 2LCW	Storm Noce 2LSN	Storm Wenge 2LSW	Acacia AT	Seagull B7	Clear Walnut CW	Clear Oak AK	Light orange OA 17/04/17	Apple Green SZ 17/04/17

Veneer
Volume and Top

Natural oak CC	Black Oak CG	Canadian maple ER	Shady beech HP	Natural beech HW	Shady Cherry MK	American Walnut Quarter Cut NU	Natural cherry OZ	Wenge style WE
----------------	--------------	-------------------	----------------	------------------	-----------------	--------------------------------	-------------------	----------------

upcharge

Paint
Metal

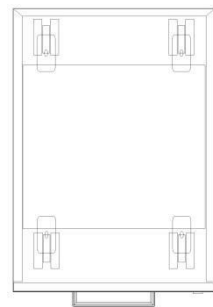
Grey 3 G3 17/04/17	Pearl black PB	Pearl Grey 0 ZH	Merle MG	Artic white mat WM	Midnight metallic MI	Stirling metallic ST
--------------------	----------------	-----------------	----------	--------------------	----------------------	----------------------

Nickel NI	Platinum Metallic (Silver) SL	Pearl snow ZW	Pearl champagne metallic CH ZF 17/04/17	Champagne metallic CH
-----------	-------------------------------	---------------	---	-----------------------

upcharge

Image for visual purpose only

PLAN VIEW



ABOUT THE SOLUTION

- Implicit Melamine Standard 1/2/6 9He 584 Depth 588

Model Number:

785M21101



Manufacturing Location:
 Stribo, Czech Republic

Design Origins: America

LEADTIME: 5 – 8 weeks



STORAGE

EUROPE | PEDESTAL | IMPLICIT



Image for visual purpose only

DESCRIPTION

Implicit personal storage is a range that offers the following pedestal configurations: supporting, juxtapeosed and mobile in a choice of two designs. It supports flexibility within the workplace

FEATURES & BENEFITS

- Implicit has the right solution for storing all sorts of material while making the most of existing space. The pedestals are easy to adapt as workspace needs change or when people change their work patterns.
- Implicit supports a variety of applications for both individual and collaborative work, either in open plan or in private office space.
- As a mobile pedestal under or juxtapeosed pedestal next to the desk to expand the worksurface, Implicit is compatible with a large range of Steelcase desks, making it easier to adapt to the changing work modes of today's business world.

CERTIFICATIONS

- **Indoor Advantage**
- **PEFC**
- **E1**
- **Oeko-Tex 100**
- **European Ecolabel (Flower)**
- **Environmental Product Declaration (EPD).**
- **NF Environnement**



STORAGE

EUROPE | PEDESTAL | IMPLICIT

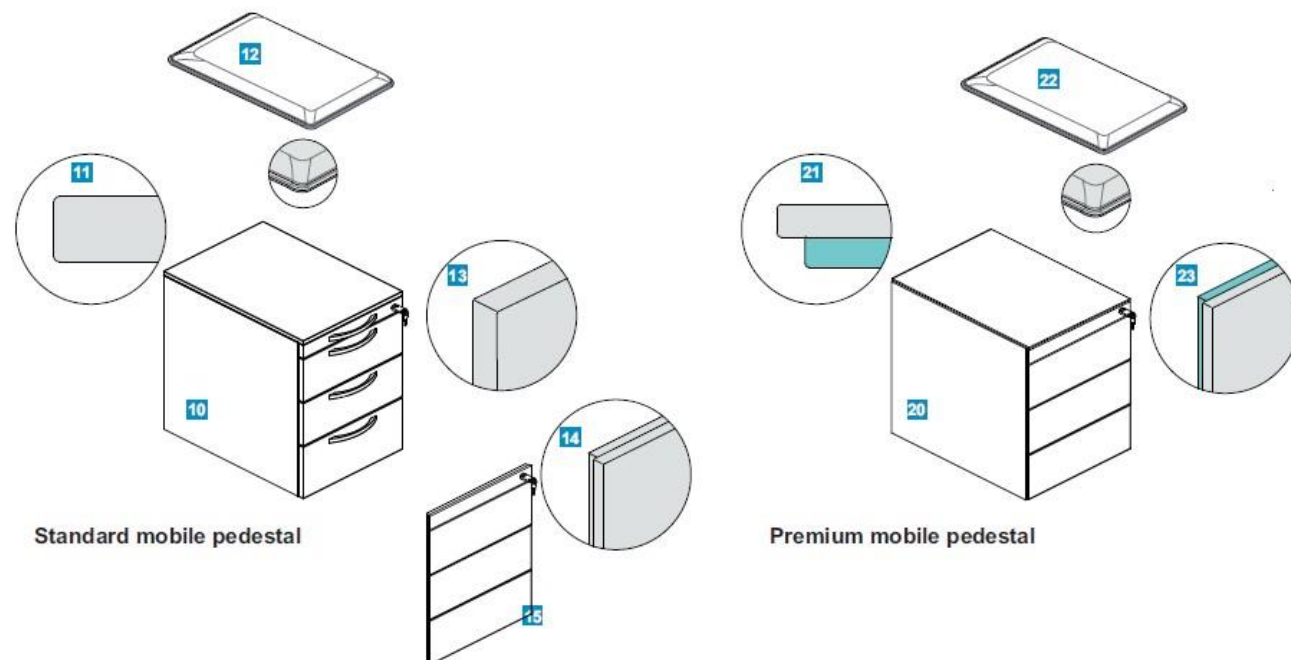
Mobile Pedestals

Standard pedestal

- 10** Mobile standard pedestal 10HE, D588, 1/3/3/3, standard top
- 11** Detail standard top 16mm
- 12** Cushion
- 13** Detail standard front with handle
- 14** Detail standard steel front with lateral pulls
- 15** Standard steel front with lateral pulls 1/3/3/3

Premium pedestal

- 20** Mobile premium pedestal 10HE, D588, 1/3/3/3, premium top
- 21** Detail premium top 8mm
- 22** Cushion
- 23** Detail premium front with lateral pulls



GENERAL

- width: 419mm
- 2 depths for mobile pedestals: 588 and 788mm
- 2 depths for juxtaposed and supporting pedestals: 660 and 800mm (juxtaposed: possibility to have tops in depth 900 and 1000mm with 800mm carcass)
- heights:
 - mobile: 9HE/516mm (castor ø37mm)
 - mobile: 9HE/584mm (castor ø75mm)
 - mobile: 10HE/566mm (castor ø37mm)
 - supporting: 13HE/705mm steel pedestal (no top)
- juxtaposed 13 HE :
 - H714-755 for steel pedestal
 - H714-750 for melamine pedestal

CARCASS

- standard 9HE or 10HE melamine or wood veneer carcass with standard or premium top sides and back panel: 19mm, bottom panel: 16mm
- standard 13HE melamine or wood veneer carcass with top for juxtaposed pedestal (details see below), sides and back panel: 19mm, bottom panel: 16mm

BASE

- mobile melamine pedestals in 9HE: available with castors ø75mm, made of plastic PA6, grey. The front castors are lockable

FRONT

Standard Fronts

- 19mm melamine, structured melamine or wood veneer square fronts with handles

DRAWER

- steel sheet, black, 0.5mm thick
- mounted on standard runners, optional telescopic runners for 2HE and 3HE drawers
- net load, pedestal D600
 - 1HE: 0.5kg
 - 2HE: 7.5kg
 - 3HE: 11.5kg
 - 6HE/9HE: 23.5kg
- net load, pedestal D800
 - 1HE: 0.5kg
 - 2HE: 10.5kg
 - 3HE: 16.1kg
 - 6HE/9HE: 33.1kg
- 6HE and 9HE drawers come automatically with telescopic runners
- 6HE drawers are used for suspended files
- equipped with limit return mechanism and soft closing system
- shields on the drawer bodies conceal the runners to avoid injuries or damage to clothing

Anti-tilt system

interlock mechanism to avoid simultaneous opening of more than 1 drawer (except 1HE)

TOP FOR MOBILE PEDESTAL

Standard top

16mm melamine, structured melamine or wood veneer top, 4 straight corners R2

Disclaimer: Quotation will be provided based on actual project scheduled.



III. WORK SUPPORT SPACES

EUROPE | COMPACTUS ROOM – UNIVERSAL STORAGE



Image for visual purpose only

Laminate
Volume and Top

Snow WY	Natural maple 160 ET	Beech 180 MM	Crystal 230 GO	Ash Noce 21AN	Ash Wenge 21AW	Bisque Noce 21BN	Bisque Wenge 21BW
Clay Noce 21CH	Clay Wenge 21CW	Storm Noce 21SH	Storm Wenge 21SW	Acacia AT	Seagull B7	Clear Walnut CW	Clear Oak AK

Veneer
Volume and Top

Natural oak CC	Black Oak CG	Canadian maple ER	Shady beech HP	Natural beech HW	Shady Cherry MK	American Walnut Quarter Cut NU	Natural cherry OZ	Wenge style WE
----------------	--------------	-------------------	----------------	------------------	-----------------	--------------------------------	-------------------	----------------

upcharge

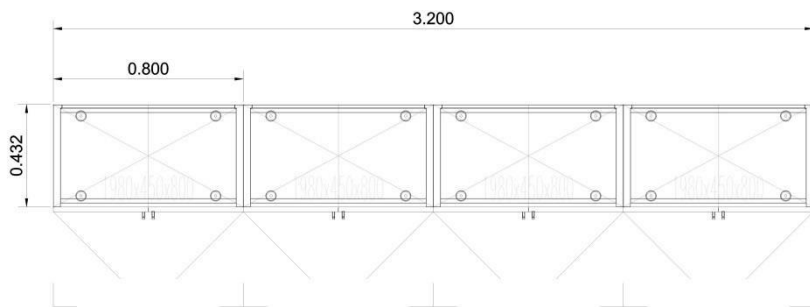
Paint
Metal

Grey 3 G3 17/04/17	Pearl black PB	Pearl Grey 0 ZH	Merle MG	Artic white mat WM	Midnight metallic MI	Stirling metallic ST
--------------------	----------------	-----------------	----------	--------------------	----------------------	----------------------

Nickel NI	Platinum Metallic (Silver) SL	Pearl snow ZW	Pearl champagne metallic CH ZF 17/04/17
-----------	-------------------------------	---------------	---

upcharge

PLAN VIEW



ABOUT THE SOLUTION

- Universal Storage Hinged Doors 800 W x 1980 H

Model Number:

845030350



Manufacturing Location:
 Madrid, Spain

Design Origins: America

LEADTIME: 5 – 8 weeks



STORAGE

EUROPE | CABINETS | UNIVERSAL STORAGE



Image for visual purpose only



DESCRIPTION

Universal Storage is a complete storage family of medium-to-high capacity metal cupboards. It is a robust work tool. Combined with functional and ergonomic internal fittings, it helps people to be more productive.

FEATURES & BENEFITS

- The cupboards match every Steelcase desk and space division range in size and finish to create harmonious environments
- The premium top adds a touch of colour to the whole workstation and matches with the Implicit Premium pedestal
- It is robust and can be moved loaded to make reconfigurations easier
- Internal fittings and accessories allow users to file efficiently and retrieve easily, saving precious time
- Sustainability: Universal storage is PVC free: PP tambours save one thousand tonnes of CO² a year compared to those in PVC

CERTIFICATIONS

Cradle to Cradle
 Silver (Steel fronts only)

ANSI/BIFMA level Certified
 Level 1 (steel fronts + wood fronts)

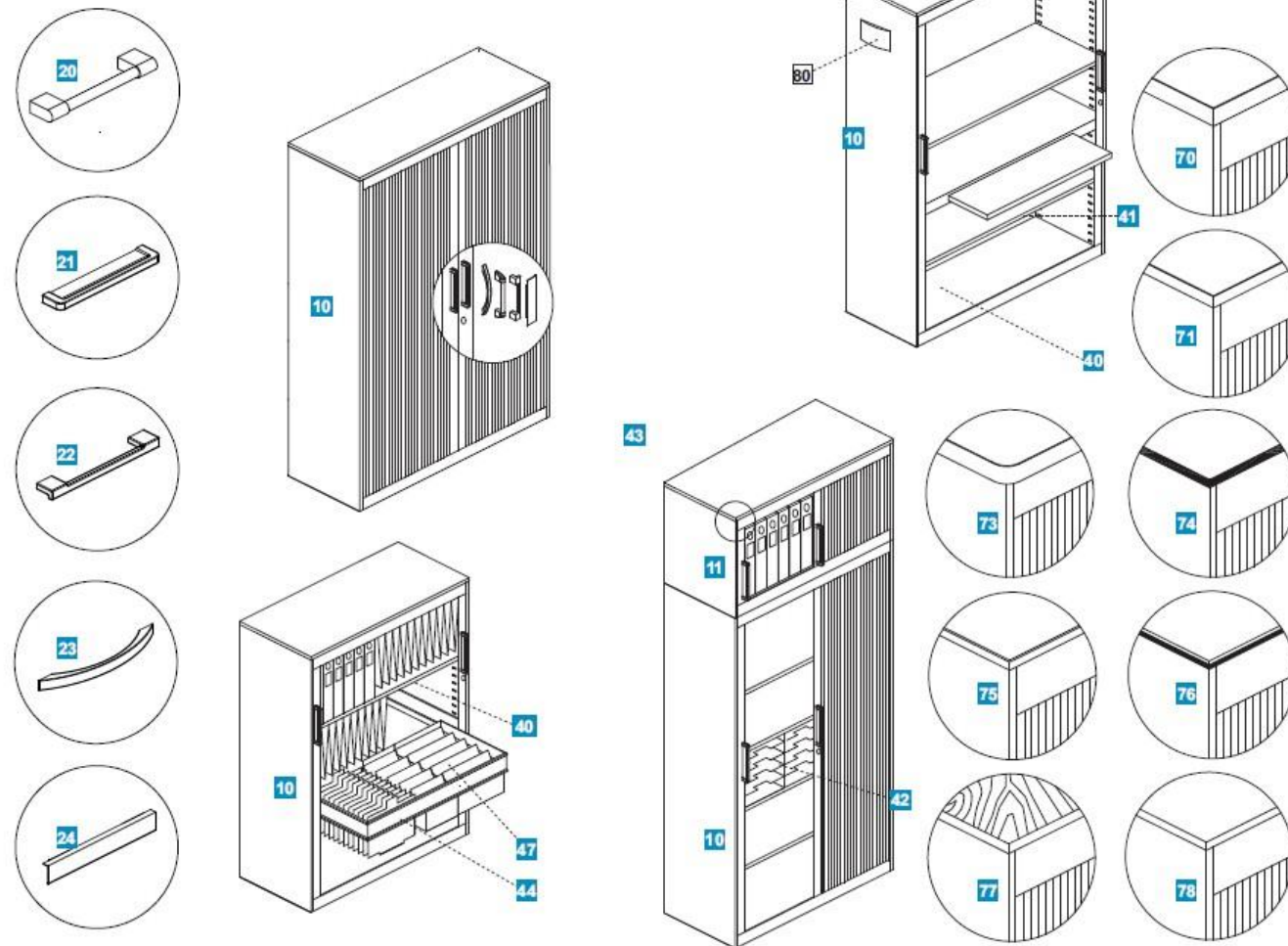
SCS Indoor Air Advantage Certified
 SCS IAQ (wood fronts + worksurfaces)
 SCS IAQ Gold (steel front + worksurfaces)



STORAGE

EUROPE | CABINETS | UNIVERSAL STORAGE

- | | |
|---|---|
| <p>Cupboards</p> <ul style="list-style-type: none"> 10 Side Opening Tambour Doors 11 Side Opening Tambour Doors Stackable 12 Hinged Doors 13 Drawer Units 14 Interactive Cluster (4 Tambour Doors Units & Interactive Top) 15 Wardrobes - Side Opening Tambour Doors 16 Wardrobes - Hinged Doors <p>Handles</p> <ul style="list-style-type: none"> 20 Tubo 2 21 Rectangular 22 GM7 23 GM6 24 GK2 <p>Accessories/Internal Fittings</p> <ul style="list-style-type: none"> 17 Shelves for suspended files, metal 18 Reference Shelves, metal 19 Pigeon Holes 25 Suspended File Frame 26 Wire Bar for Suspended File Frame 27 Drawer Hanging File Basket 28 Card Index Box for File Frame & Drawers 29 Drawer Row Dividers 30 Personal Lockable Compartment 31 Hook | <p>Top type Decor/Veneer</p> <ul style="list-style-type: none"> 70 TNT* (30mm thick) for units H715+mm 71 Frame One/Kalidro/Activa/B Free Desk/Ology/Fusion (25mm thick) for units H715+mm 72 Movida (30mm thick) for units H715+mm 73 Tech Top Finish (16mm thick) for units H715+mm 74 Decor (15mm thick) 75 Melamine Premium top (16mm thick) <p>Top type Veneer</p> <ul style="list-style-type: none"> 76 Veneer (19,5mm thick) <p>Top type Metal</p> <ul style="list-style-type: none"> 77 Metal (15mm thick) <p>Worktools</p> <ul style="list-style-type: none"> 80 Signage A6 |
|---|---|



CARCASS

- monobloc carcass in metal, made up of 2 welded frames (top and bottom), covered by 2 lateral panels and a back, with a separate cover (top) welded frame, 0,95 and 1,5mm thick; lateral panel and back 0,75mm thick
- removable cover (top) for changing tops or for fixing a stackable unit
- the top frame allows suspended files to be hung
- the cupboard model codes and prices do not include shelves, unless specified as an option

BASE

Plinth

- H52mm frame base for all units other than stackable
- H40mm frame base for stackable units

FOOT

- 4 levelling feet accessed from inside the unit, in 2mm thick steel, fixed on metal stiffener. Tolerance : 20mm, diameter 47mm, height 32mm.

TOP

- the top is always necessary as it closes the carcass
- the tops are D430, like the carcass, so they do not go over the hinged doors or drawer fronts

OVERALL HEIGHT

- the overall height of each unit depends on the top
- option chosen: H715, H725, H730, H740mm
- the nominal height indicated in the model Code
- description (ie. H715+, H850+... etc) includes a steel top 15mm thick (excluding stackable units H500+).

LOCK

- interchangeable lock cylinders common to all Steelcase storage products
- 2 steel keys, one bar key with 270° foldable key fob and one profiled key nickel-plated cylinder
- random key number or selection of 100 different
- combinations (random key number provided in a mix of 20 numbers from 18001-18020)
- option without cylinder is also available to manage numbers on site more easily

DOOR

Hinged doors

- all hinged door units are available with a soft closing system (option)

Hinged Metal Door

- 21mm thick, in smooth metal 0.75mm thick
- 2 adjustable hinges, 100° opening, fitted with a clip-on system

Hinged Metal Executive Door

- 21mm thick, in metal 0.75mm thick with stamped motifs
- 2 adjustable hinges, 100° opening, fitted with a clip-on system

Hinged Decor Door

- carcass in metal
- décor doors in melamine coated particleboard 19mm thick with PP (polypropylene) edges

Disclaimer: Quotation will be provided based on actual project scheduled.

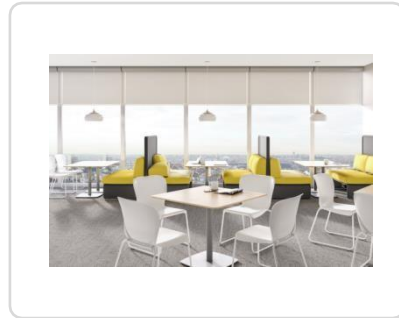
Support Spaces

- Canteen
- Reception Area



IV. Support Spaces

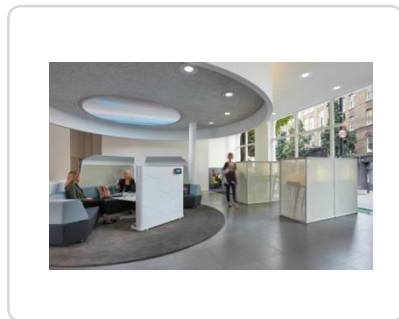
Canteen



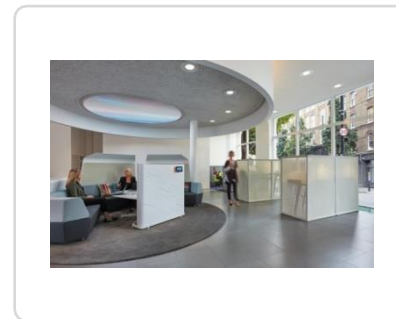
TABLE, CHAIR + SOFA

SixFiveZero Table, WestSide Chair & Lagunitas High Screen Sofa

Reception Area



SOFA SETTING
Media:scape Lounge Height



SOFA SETTING
Media:scape Lounge with Canopy

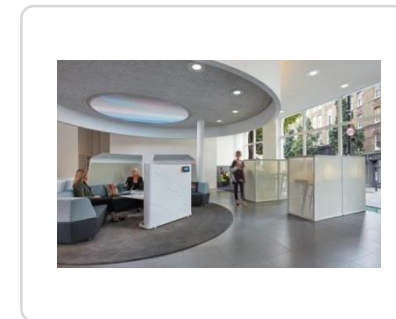


TABLE SETTING
Bfree Table and Screen

How to classify and use.

Each Support space configuration shown above is divided into different setting:

- **CANTEEN**
- **RECEPTION**



IV. SUPPORT SPACES
EUROPE | CANTEEN

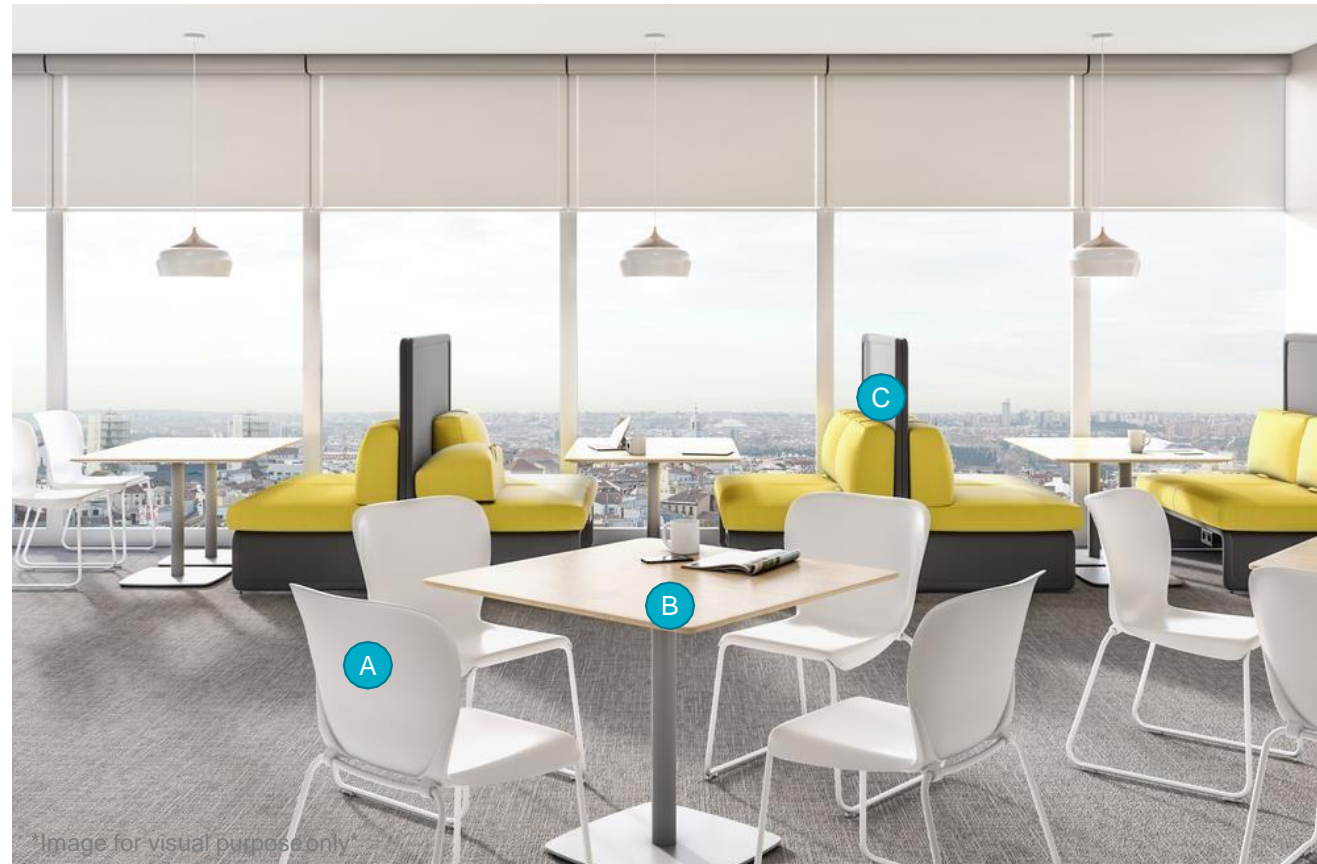


Image for visual purpose only

ABOUT THE SOLUTION

- A. Westside Chair
- B. SixFiveZero Table
- C. Lagunitas High Screen Sofa

Laminate Table



Plastic Shell Chair



Paint Chair Frame



Fabric Panel



A large variety of fabrics is available for our products. Please connect with our local dealer for a full list of materials and prices.

Model Number:

COLAGLH2
 COSFZLTSQ
 411LUG30

Design Origins: America

LEADTIME: 5 – 8 weeks



Manufacturing Location:
 Sarrebourg, France
 Trade Goods, Poland
 Trade Goods, Spain



SUPPORT SPACES

EUROPE | CANTEEN | SIXFIVEZERO



Image for visual purpose only



DESCRIPTION

The Sixfivezero_CO tables are a perfect fit with Coalesse Lagunitas seating elements or any lounge seating at H410 mm when at H660 mm. Designed by the Coalesse design studio, Sixfivezero_CO tables offer a comprehensive and versatile range, that provides a simple solution for any café area, library, or meeting space.

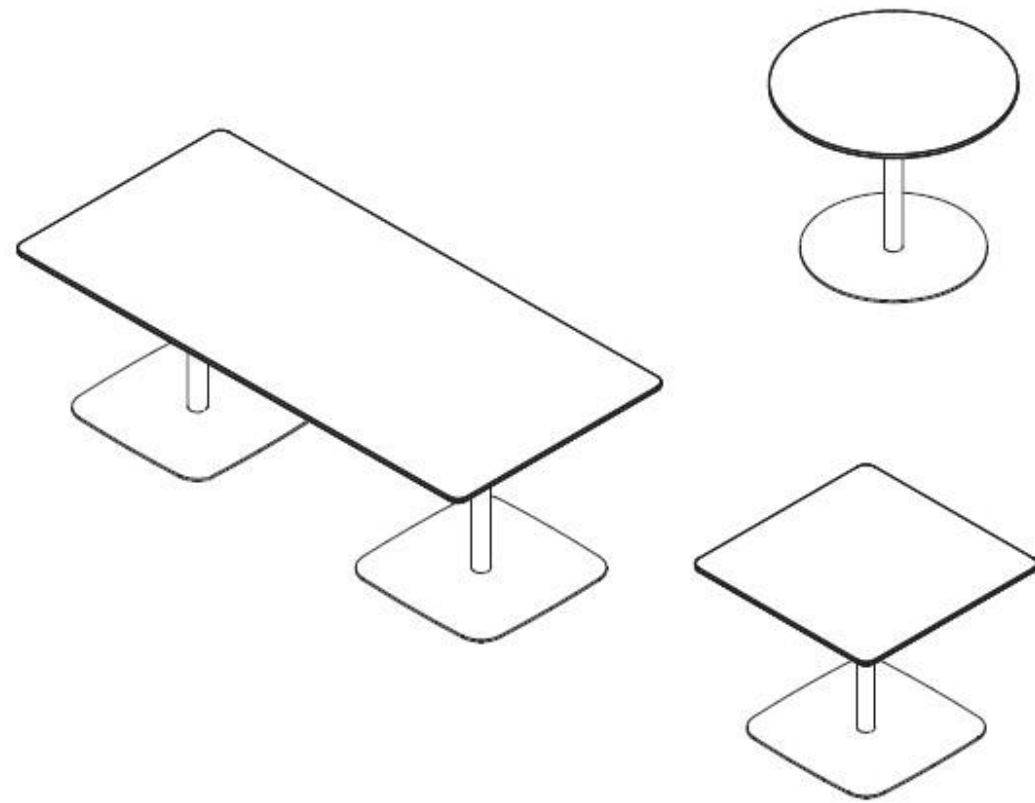
FEATURES & BENEFITS

- Supports social connection and creative collaboration
- The sixfivezero collection is a versatile and comprehensive offering of contemporary seating and tables.
- It delivers power and performance with a refined aesthetic in multiple sizes and heights



SUPPORT SPACES

EUROPE | CANTEEN | SIXFIVEZERO



Statement of Line

- Round, square + rectangular tops
- Occasional, work, counter + bar heights
- Full range of sizes by application
- Power pod, option

Material Options

- Tops - Laminate; veneer
- Base - Standard Coalesse powder coat finishes

sixfivezero_CO tables

Round Top

36: D800 x H660mm



36



37



38



39

Rectangular / square top

37: 600W x 800D x 660H

38: 600W x 900D x 660H

39: 800W x 800D x 660H

40: 900W x 1000D x 660H

41: 900W x 1200D x 660H

42: 900W x 1400D x 660H

43: 900W x 1800D x 660H



40



41



42



43

Disclaimer: Quotation will be provided based on actual project scheduled.



IV. SUPPORT SPACES
EUROPE | CANTEEN CHAIR – WESTSIDE

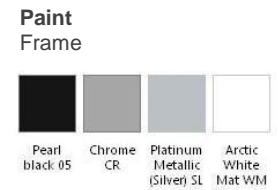
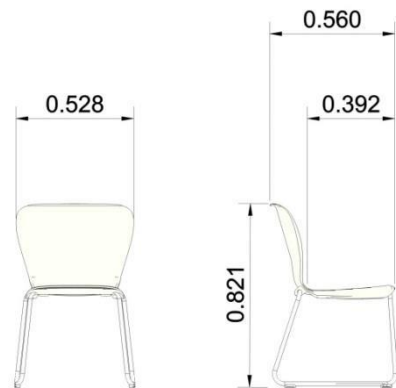


Image for visual purpose only

PLAN VIEW



ABOUT THE SOLUTION

- Westside Chair Stackable
- Westside can be stacked 8 high independently.
- Up to 15 chairs with a dolly.
- Upholstered cushion option is available with additional cost.



Design Origins: America

Model Number:
 411LUG30

Manufacturing Location:
 Sarrebourg, France

LEADTIME: 5 – 8 weeks



IV. SUPPORT SPACES

EUROPE | RECEPTION AREA



*Image for visual purpose only

ABOUT THE SOLUTION

- A. Media:scape Lounge Height
- B. Media:scape Lounge with Canopy
- C. B-Free High Table Wooden Legs
- D. B-Free Screen

Laminate Desk & Table



Fabric Sofas



A large variety of fabrics is available for our products. Please connect with our local dealer for a full list of materials and prices.

Model Number:
Media:scape Lounge
 67D000000
 674000080
 674000110
 674000220

Model Number:
B-Free Table
 N3LTW0030
 N3LS00010



Manufacturing Location:
 Sarrebourg, France
 Rosenheim, Germany
 Trade Goods, Poland
 Madrid, Spain
 Stribro, Czech Republic



SUPPORT SPACES

EUROPE | RECEPTION AREA| media:scape Lounge Height Table



Image for visual purpose only



DESCRIPTION

media:scape lounge is a table and seating solution which offers an alternative to traditional sofa for waiting areas. People can move around, work in different postures and interact informally. Combined with media:scape, users have access to media while working in a more informal posture.

FEATURES & BENEFITS

- It creates collaborative work settings that support informal team work, especially when used with the low media:scape table - lounge height.
- It supports different postures which leads people to more productivity and effectiveness.
- The different elements to combine structures space to save square metres; the elements of this range allow for tailor made settings

CERTIFICATIONS

Product Environmental Profile (PEP)

This profile is in accordance with the objectives of ISO 14025, based on Life Cycle Assessment (ISO 14044).

CE Mark Declaration of Conformity

Indoor Air Quality Gold

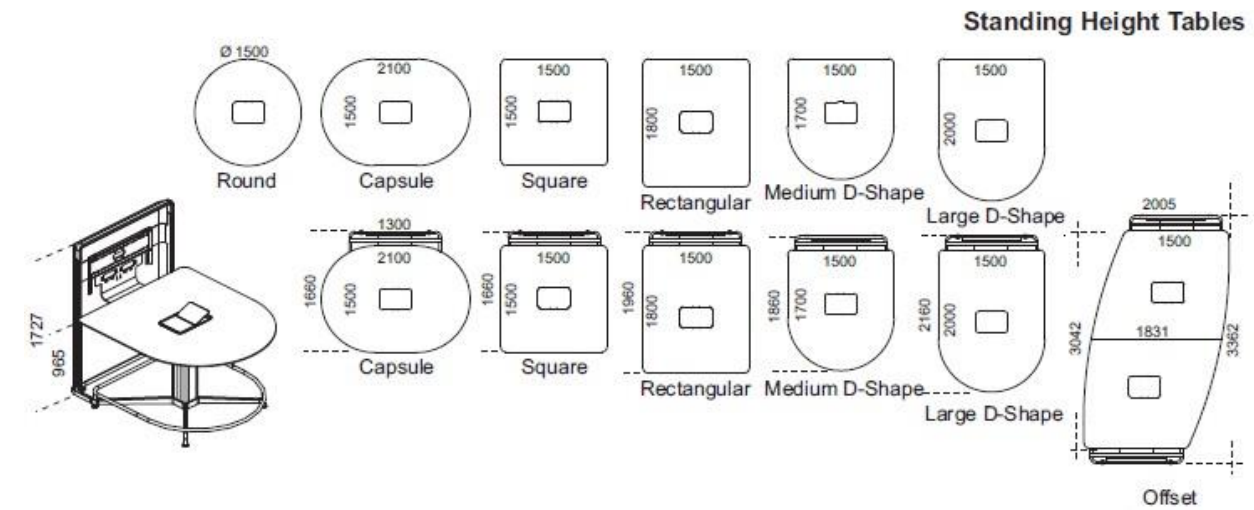
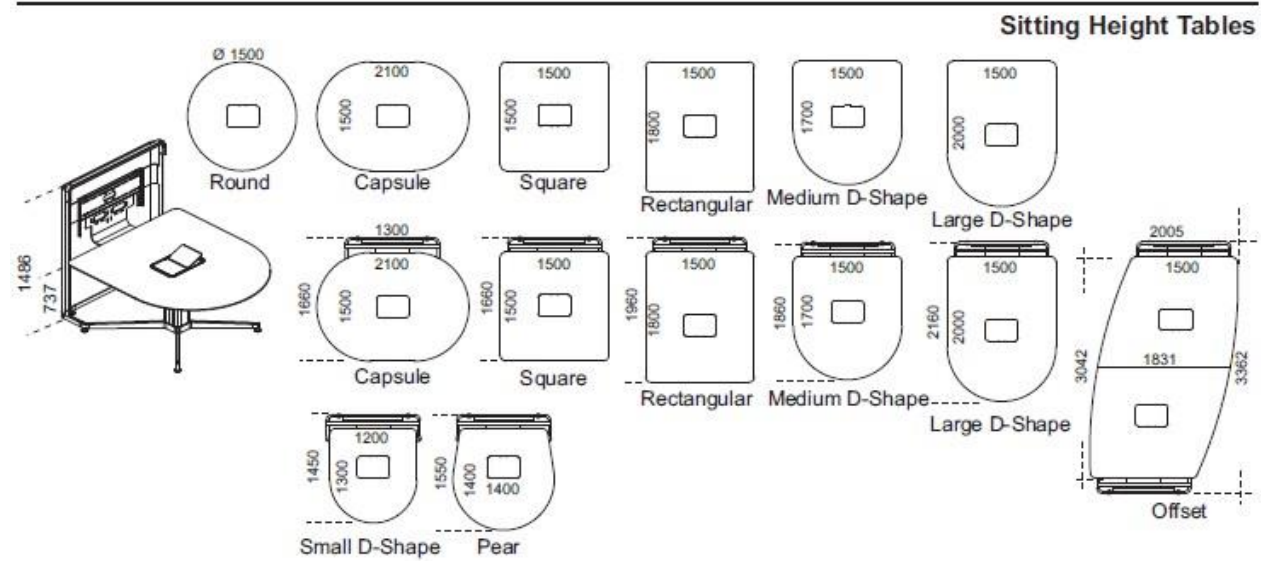
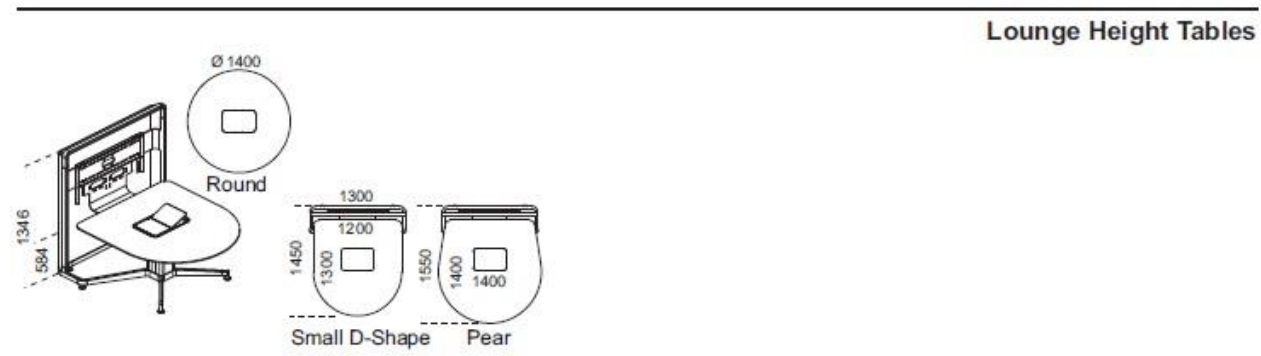
PEFC (Programme for the Endorsement of Forest Certification)

The wooden components are labelled with PEFC (Programme for the Endorsement of Forest Certification)



SUPPORT SPACES

EUROPE | RECEPTION AREA| media:scape Lounge Height Table



Disclaimer: Quotation will be provided based on actual project scheduled.

Task & Visitor Seating

- Low
- Medium
- High
- Premium

V. Task & Visitor Seating

Task Chair



LOW
Reply Chair



MID
Think Chair



HIGH
Leap Chair



PREMIUM
Gesture Chair

Visitor Chair



LOW
Reply 4 Legs



MID
Reply Sled



HIGH
Think Sled



PREMIUM
Think 4 star base

Each chairs shown above is divided into different ranks based on its price:

- **LOW** – most cost effective
- **MID** – above average to low
- **HIGH** – slightly higher than average cost
- **PREMIUM** – expensive



V. TASK & VISITOR SEATING

EUROPE | TASK CHAIR | LOW PRICE - REPLY CHAIR



Image for visual purpose only

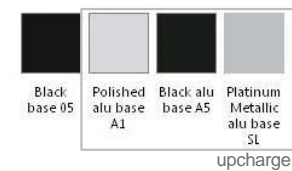
Fabric Upholstery



Fabric Air Mesh



Seating Frame / Base/ Leg color



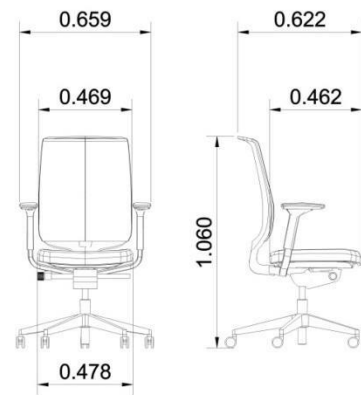
Leather Options available (Additional cost)



Leg Color: Pricing provided is standard black. All other color mix will be subjected to additional cost.

Note: Finishes price varies by fabric group and colors.
 Fabric price group 1 – No cost
 Fabric price group 2 – Additional cost
 Frame/Base/leg outside of standard will have additional cost.

PLAN VIEW



ABOUT THE SOLUTION

- Reply Air Task Chair – Mesh Back (without lumbar height adjustability)
- Seat height adjusts within a 127mm range with a pneumatic adjustment mechanism.
- Arm cap can pivot independently 18degree in and 4degree
- Multi-position back lock allows user to recline.
- Tilt tension adjustments.
- Arm height can adjust independently within 96mm range to help relieve upper back and shoulder fatigue

Model Number:

466160MT

Manufacturing Location:
 Sarrebourg, France

Design Origins: America

LEADTIME: 5 – 8 weeks

Reply® Chair - Features

A global family of seating. Work happens in many places. Choices for seating are abundant with Reply® — a complete global family of chairs that are as nice to look at as they are to sit in.





V. TASK & VISITOR SEATING
EUROPE | TASK CHAIR | MID PRICE - THINK CHAIR



Image for visual purpose only

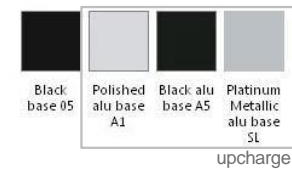
Fabric Upholstery



Fabric 3D Knit



Seating Frame / Base/ Leg color



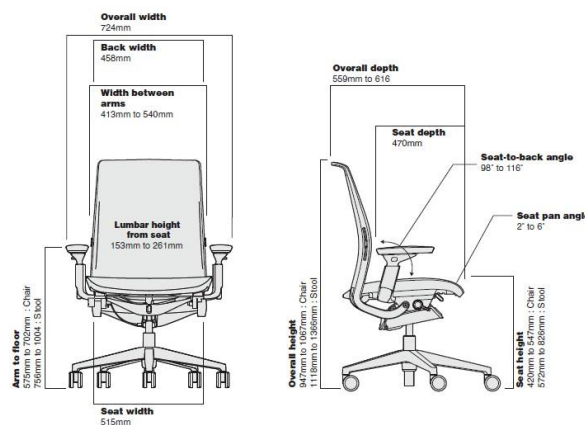
Leather Options available (Additional cost)



Leg Color: Pricing provided is standard black. All other color mix will be subjected to additional cost.

Note: Finishes price varies by fabric group and colors.
 Fabric price group 1 – No cost
 Fabric price group 2 – Additional cost
 Frame/Base/leg outside of standard will have additional cost.

PLAN VIEW



ABOUT THE SOLUTION

- Think
- Integrated LiveBack System
- Advanced weight-activated mechanism
- Comfort dial back control
- Adjustable arms
- Arm caps can pivot 30°
- Casters
- Adjustable Seat Height within 127mm
- Arm width adjusts 115mm

- Adjustable Seat Height within 127mm
- Arm width adjusts 115mm
- Arm height can adjust independently within 102mm
- Arm depth can retract 77mm
- Passive seat edge angle
- Lumbar height adjustment

Model Number:

465A300

LEADTIME: 5 – 8 weeks

Headrest Option Available

(with additional cost).



Design Origins: America
Manufacturing Location:
 Sarrebourg, France

Think® Chair - Features

The Think chair is an ergonomic office chair that senses what your body needs. The Integrated LiveBack™ System conforms to your body and moves with you as you change postures. It features an advanced weight-activated seat, so anybody can get comfortable, quickly.





V. TASK & VISITOR SEATING

EUROPE | TASK CHAIR | HIGH PRICE - LEAP CHAIR

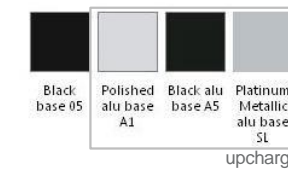


Image for visual purpose only

Fabric Upholstery



Seating Frame / Base/ Leg color



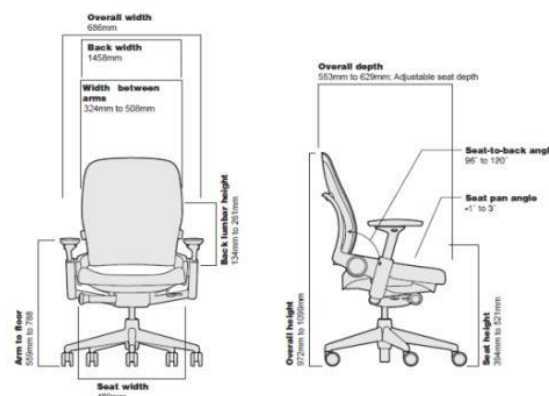
Leather Options available (Additional cost)



Leg Color: Pricing provided is standard black. All other color mix will be subjected to additional cost.

Note: Finishes price varies by fabric group and colors.
 Fabric price group 1 – No cost
 Fabric price group 2 – Additional cost
 Frame/Base/leg outside of standard will have additional cost.

PLAN VIEW



ABOUT THE SOLUTION

- Leap
- Outer back and outer seat are plastic
- Integrated LiveBack System
- Rectilinear arms
- Lumbar height adjusts 127mm
- Casters
- Arm depth can retract 77mm
- Arm width can adjust 115mm overall

- Arm caps can pivot 30°
- Lumbar height adjusts 127mm
- Passive seat edge
- Variable back stop
- Seat height adjusts with in a 127mm range

Model Number:
 462200MP

LEADTIME: 5 – 8 weeks

Headrest Option Available

(with additional cost).

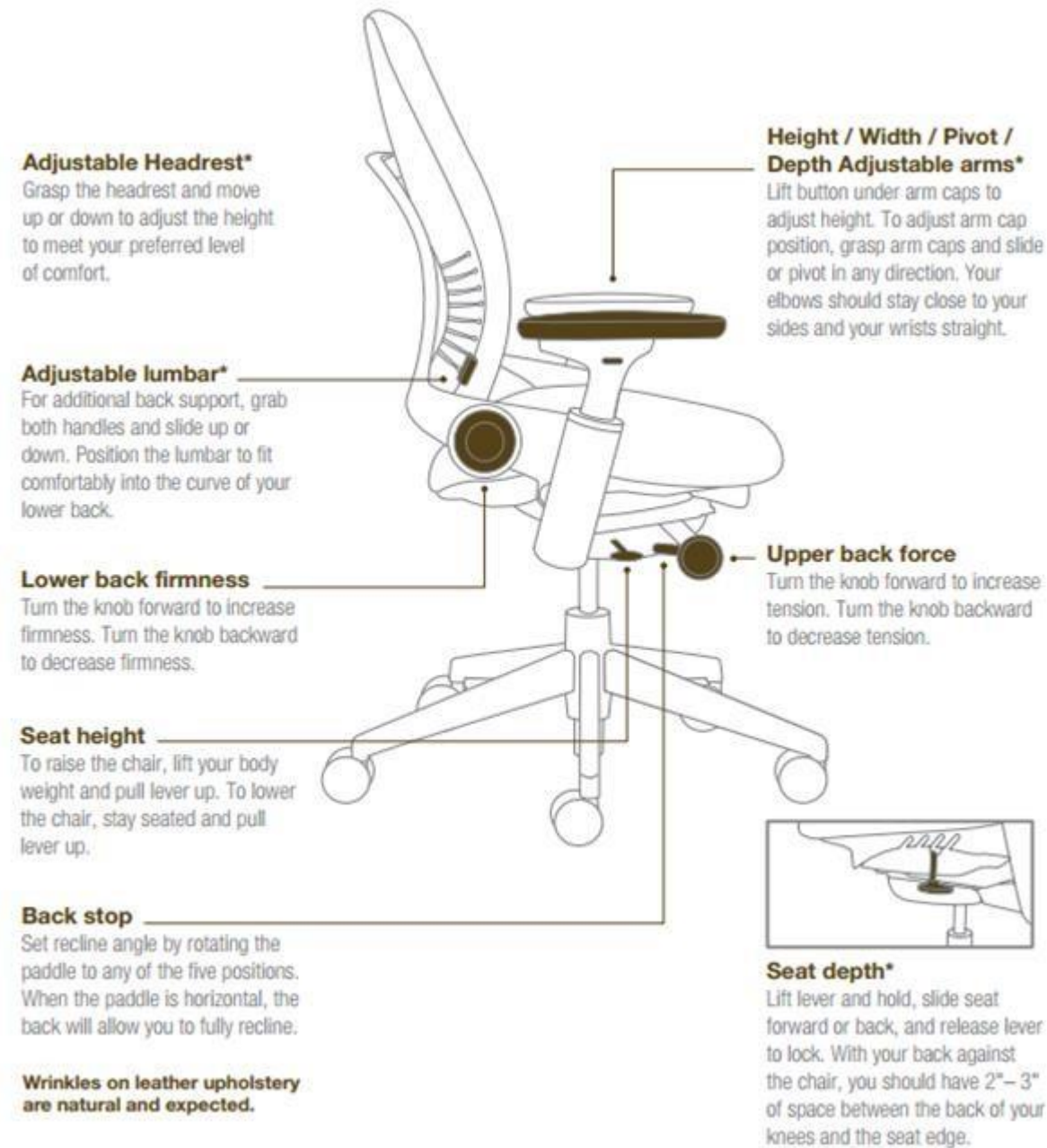


Design Origins: America

Manufacturing Location:
 Sarrebourg, France

Leap® Chair - Features

Its back moves as your back moves. Its arms move as your arms move. Its seat moves as your seat moves. It's the first chair that actually changes shape to mimic and support the movement of your spine. Thanks to its advanced technology and extraordinary comfort, the Leap chair is a proven technology... a healthier way to sit.



LiveBack®
 Changes shape to mimic the movement of the spine.



Adjustable Seat Depth
 Accommodates to ensure long term comfort.



Adjustable Seat Height
 Adjusts to fit various heights.



Adjustable Lumbar
 Fits the curve of your lower back for additional support.



Lower Back Firmness
 Provides constant support to your lower back.



Upper Back Force
 Controls the precise amount of "push back" as you recline.



Variable Back Stop
 Sets the angle of recline to one of five positions.



Adjustable Arms
 Keep your arms, shoulders and neck properly aligned.



V. TASK & VISITOR SEATING

EUROPE | TASK CHAIR | PREMIUM PRICE - GESTURE CHAIR



Image for visual purpose only

Fabric Upholstery



Fabric 3D Knit



Seating Frame / Base/ Leg color



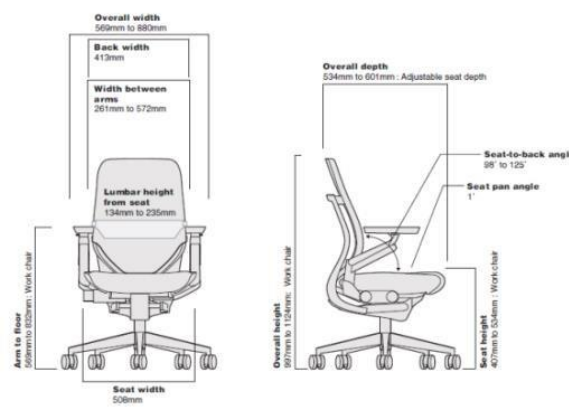
Leather Options available (Additional cost)



Leg Color: Pricing provided is standard black. All other color mix will be subjected to additional cost.

Note: Finishes price varies by fabric group and colors.
Fabric price group 1 – No cost
Fabric price group 2 – Additional cost
Frame/Base/leg outside of standard will have additional cost.

PLAN VIEW



ABOUT THE SOLUTION

- Gesture Wrapped back
- 3D LiveBack + 4D Arms
- Core equalizer
- Rectilinear arms with soft caps
- Casters
- Back frame, back shell, seat perimeter, arms and base are standard in black schemes
- Variable back stop with 4 positions
- Back tension

- Pneumatic adjustment mechanism
- Wrapped upper back upholstery design
- 360° arm enables 360° of motion to give arm support
- Soft arm caps
- Passive seat edge
- Lumbar height adjustment

Model Number:

442A30

LEADTIME: 5 – 8 weeks

Design Origins: America
Manufacturing Location:
Sarrebouurg, France

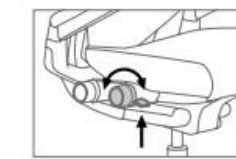
Gesture™ Chair - Features

Gesture™ is the first office chair designed to support a greater range of technologies, postures and user sizes. Inspired by the human body, designed for the way we work today.

360 Arm - Armrest height, depth, width and pivot

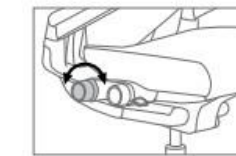


GESTURE CONTROLS



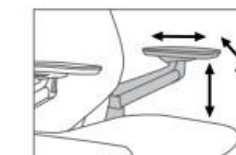
USER INTERFACE
Seat Depth – To extend seat depth, remain seated and turn knob away from you. To retract, remain seated and turn knob toward you.

Seat height – To raise chair, lift your body weight and hold lever up. To lower chair, remain seated and hold lever up.



Back tension – Allows you to adjust the force required to sit upright or recline. Turn the knob forward for more resistance and backward for less resistance.

Variable Back Stop – This dial is located inset of the back tension knob. It allows four settings, upright lock, full recline, and two stops in between.



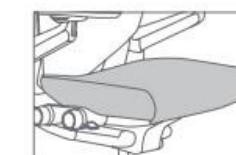
LIMB INTERFACE
360 Arm – A single release enables 360 degrees of motion, giving arm support wherever needed.

To adjust arm cap position, grasp arm caps and slide in any direction.



CORE INTERFACE
3D LiveBack™ – Provides sagittal, lateral, and torsional movement while maintaining persistent support.

Core Equalizer – Connects the seat to the back so they move together and provides just the right amount of lumbar support in any angle of recline.



SEAT INTERFACE
Flexible edges – Designed with soft edges, comfort is extended to the edge of the seat.

Adaptive bolstering – The Gesture seat is designed with air pockets carefully placed beneath the foam to give consistent comfort to a range of users.

Greater range of posture support and user sizes



SUPPORTING HEALTHY MOVEMENT
 Gesture allows healthy movement and postures like reclining without pulling users away from their work.

SUPPORTING MOBILE TECHNOLOGY
 Gesture's supportive design helps prevent tech neck—an increasing health issue in the workplace. Highly adjustable arms enable users to bring small mobile devices in close and up to eye level, avoiding awkward and unhealthy postures.

SUPPORTING THE LOWER BACK
 Gesture conforms to a user's back, preventing unhealthy postures that result from a lower back gap.



V. TASK & VISITOR SEATING

EUROPE | VISITOR CHAIR | LOW PRICE - EASTSIDE 4 LEGS



Image for visual purpose only

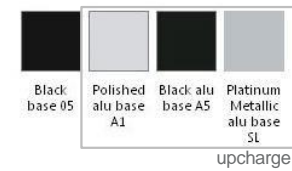
Fabric Upholstery



Fabric Air Mesh



Seating Frame / Base/ Leg color



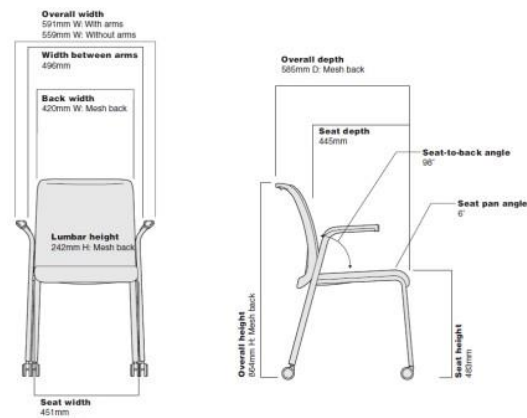
Leather Options available (Additional cost)



Leg Color: Pricing provided is standard black. All other color mix will be subjected to additional cost.

Note: Finishes price varies by fabric group and colors.
 Fabric price group 1 – No cost
 Fabric price group 2 – Additional cost
 Frame/Base/leg outside of standard will have additional cost.

PLAN VIEW



ABOUT THE SOLUTION

- Eastside 4 legs
- Armless
- Mesh on back
- Frame : Paint

Model Number:

4145SMT

Design Origins: America

LEADTIME: 5 – 8 weeks

Manufacturing Location:
 Sarrebourg, France



V. TASK & VISITOR SEATING
EUROPE | VISITOR CHAIR | MID PRICE - EASTSIDE SLED BASED



Image for visual purpose only

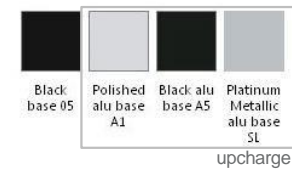
Fabric Upholstery



Fabric Air Mesh



Seating Frame / Base/ Leg color



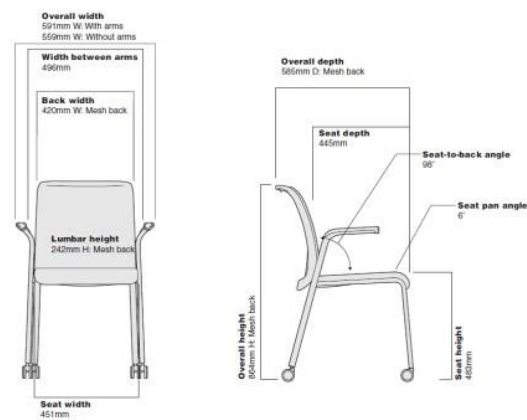
Leather Options available (Additional cost)



Leg Color: Pricing provided is standard black. All other color mix will be subjected to additional cost.

Note: Finishes price varies by fabric group and colors.
 Fabric price group 1 – No cost
 Fabric price group 2 – Additional cost
 Frame/Base/leg outside of standard will have additional cost.

PLAN VIEW



ABOUT THE SOLUTION

- Eastside Sled base
- Armless
- Mesh on back
- Frame : Paint
- Glides : Soft glides for use on hard floors

Model Number:

4159SMT

Design Origins: America

LEADTIME: 5 – 8 weeks

Manufacturing Location:
 Sarrebourg, France



V. TASK & VISITOR SEATING
EUROPE | VISITOR CHAIR | HIGH PRICE - THINK SLED



Image for visual purpose only

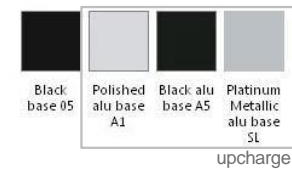
Fabric Upholstery



Fabric 3D Knit



Seating Frame / Base/ Leg color



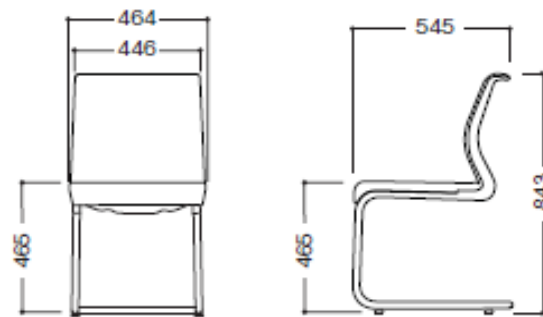
Leather Options available (Additional cost)



Leg Color: Pricing provided is standard black. All other color mix will be subjected to additional cost.

Note: Finishes price varies by fabric group and colors.
 Fabric price group 1 – No cost
 Fabric price group 2 – Additional cost
 Frame/Base/leg outside of standard will have additional cost.

PLAN VIEW



ABOUT THE SOLUTION

- Think Sled base
- Armless
- Sled Base
- 3D knit on back
- Standard upholstery on seat
- Glides : hard, plastic

Model Number:

465480MT

Design Origins: America

LEADTIME: 5 – 8 weeks

Manufacturing Location:
 Sarrebourg, France



V. TASK & VISITOR SEATING

EUROPE | VISITOR CHAIR | PREMIUM PRICE - THINK 4 STAR LEG



Image for visual purpose only

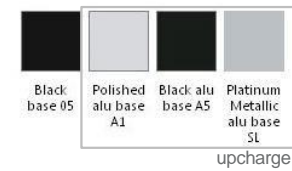
Fabric Upholstery



Fabric 3D Knit



Seating Frame / Base/ Leg color



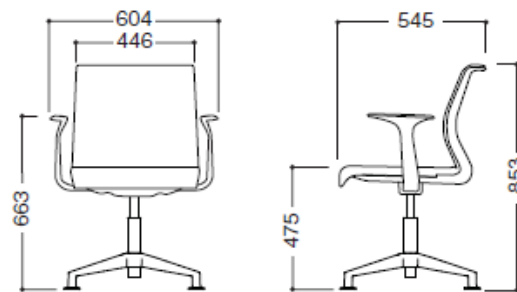
Leather Options available (Additional cost)



Leg Color: Pricing provided is standard black. All other color mix will be subjected to additional cost.

Note: Finishes price varies by fabric group and colors.
 Fabric price group 1 – No cost
 Fabric price group 2 – Additional cost
 Frame/Base/leg outside of standard will have additional cost.

PLAN VIEW



ABOUT THE SOLUTION

- Think 4-star
- Armless
- Four star base with automatic return
- Frame and seat shell : black
- Standard upholstery on back and seat
- 4 star base with auto return
- Glides : hard, plastic

Model Number:

465335MTN

Design Origins: America

LEADTIME: 5 – 8 weeks

Manufacturing Location:
 Sarrebourg, France

Basic of Ergonomic Seating

A well-designed ergonomically advanced chair that allows a full range of healthy postures throughout the day and can contribute to worker well-being and productivity.

Neck is straight or slightly forward.

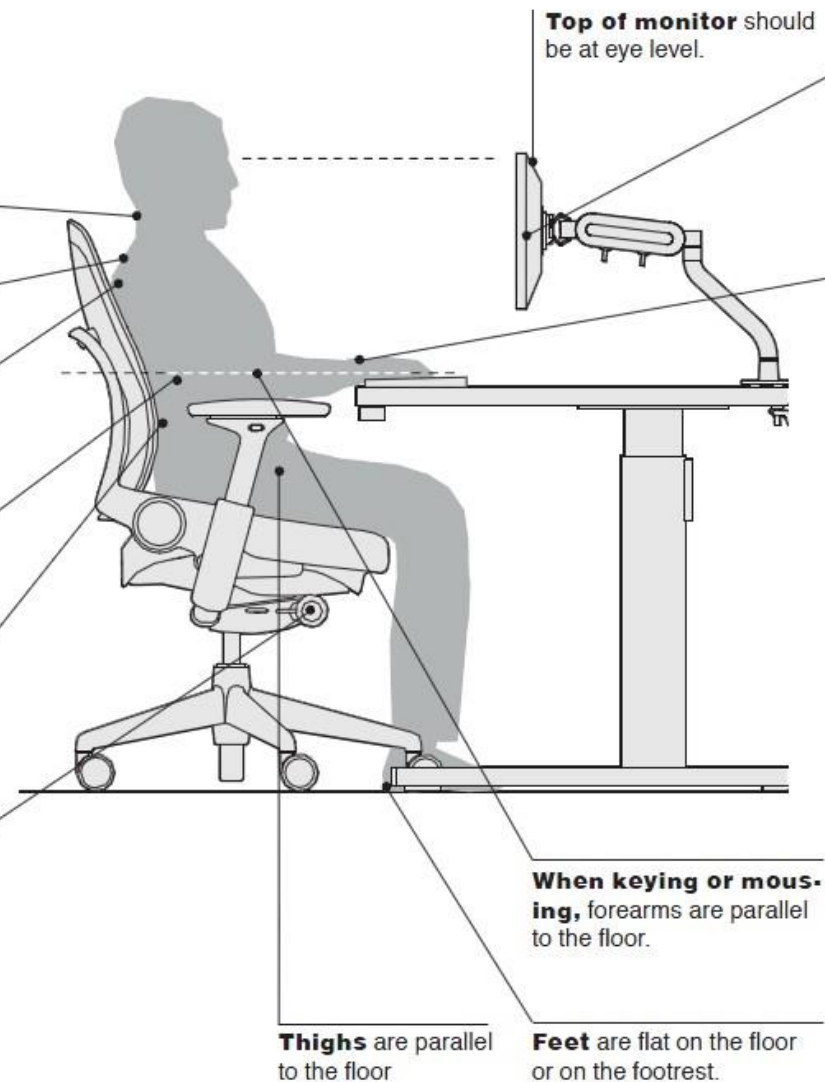
Shoulder are relaxed to arms hang naturally.

Back has full contact with the backrest (sit all the way back in your chair).

Elbows and forearms can rest comfortably on the arms of your chair, or on worksurfaces.

Lower back fits into curved lumbar support.

Tension is adjusted so backrest reclines easily, yet provides smooth, even support, and encourages postural change.



Top of monitor should be at eye level.

Screen is 508mm to 762mm from the eyes. Screen is at eye level slightly lower and directly in front of worker so head is not turned.

Wrists should be straight when keying or mousing, not bent up or down.

ANSI/BIFMA is the American National Standards Institute Business and Institutional Furniture Manufacturer's Association. All Steelcase furniture meets or exceeds ANSI/BIFMA standards for structural quality.

CAUTION

Regularly inspect for damaged or broken parts and loose fasteners (screws, etc). If any of these conditions exist, remove from service immediately. Repairs are to be made using only factory authorized parts and methods. Hard wheel casters must be used on carpeted surfaces only. Use on hard surfaces, including floor mats, will affect chair stability.

Failure to follow these instructions could result in property damage or personal injury.

Basic of Adjustability

Steelcase chairs offer varying levels of adjustability to meet the needs of many types of users. Adjustable seating may offer one or more of these features.

Mechanism



Advanced synchro-tilt allows the chair back and seat to move in a 2:8:8 ratio. As the user leans back the seat rises slightly to keep user's feet on the floor.



Weight-activated feature allows for an amount of recline resistance that is directly proportional to the user's weight.



Synchro-tilt feature means the chair back and seat are synchronized to move in a ratio. When the user leans back, the seat rises less, allowing the user's feet to remain flat on the floor.



Natural-glide feature causes the seat to slide forward as the user reclines keeping the user within his or her vision and reach zone.



Advanced swivel-tilt feature incorporates a tilt to remain level even when the user leans back.

Arm Adjustment



Arm height adjustment allows the user to move the arms up or down independently.



Arm width adjustment allows the user to move the arms in or out independently.



Arm pivot adjustment allows the user to position arm rests as appropriate for the task being performed.



Arm depth adjustment allows users to get closer to their work by chair arms moving out of the way.

Seat Adjustment



Pneumatic height adjustment allows the user to remain seated while adjusting the seat height by way of a control button or lever.



Seat depth adjustment allows the user to slide the seat forward or back.

Back Adjustment



Lumbar height affords additional lower back support. Grasp lumbar handles and slide up or down to adjust.



Lower back firmness changes the amount of firmness user feels in lower back.



Your Preference back control includes four settings - weight-activated, boosted, mid-stop, and upright - that allow for personal preference and work styles.



Headrest adjustment allows the user to support head and neck in upright or reclined posture.



Multi-position back lock allows users to recline the back to the desired angle and lock it in place.



Core equalizer connects the back and the seat to the advanced synchro-tilt and allows appropriate amount of lumbar support in any angle of recline.



Passive seat edge angle allows front edge of seat to drop down while seat angle remains unchanged.



Back tension adjustment allows the user to control the amount of resistance felt when leaning back in the chair.



Upper back tension feature provides an increasing amount of force that increases as the user reclines.



Upright back lock allows the user to lock the backrest in a full upright position or release it for full recline.



Variable back stop allows the user to lock the back upright, or to preset the range of recline.



Back height adjustment allows the user to raise or lower the chair back.

Other Features



Foot ring height can be adjusted up or down for user comfort. Cannot be done from seated position.

Overall Chairs Adjustability Features

Steelcase chairs offer varying levels of adjustability to meet the needs of many types of users. Adjustable seating may offer one or more of these features.

Work Chair Adjustability Features						
	Gesture	Leap	New Think	Think	Reply	Let's B
Mechanism						
Natural glide		•				
Weight activated			•	•		
Synchro-tilt	•		•		•	•
Advanced swivel-tilt						
Seat Adjustment						
Pneumatic height	•	•	•	•	•	•
Passive seat edge angle	•	•	•	•		
Seat depth	•	•	•	•	•	•
Back Adjustment						
Lumbar height	•	•	•	•	•	
Lower back firmness		•				
Upper back tension		•				
Back tension	•				•	•
Variable back stop	•	•				
Your preference back control			•	•		
Upright back lock	•	•	•	•	•	•
Variable back lock					•	•
Back height						•

Overall Chairs Adjustability Features

Steelcase chairs offer varying levels of adjustability to meet the needs of many types of users. Adjustable seating may offer one or more of these features.

Work Chair Adjustability Features						
	Gesture	Leap	New Think	Think	Reply	Let's B
Arm Adjustment						
Arm height	•	•	•	•	•	•
Arm width	•	•	•	•		
Arm depth	•	•	•	•	•	
Arm pivot	•	•	•	•	•	•
Other features						
Foot ring height (stool)			• stool type	• stool type		
Headrest		•	•	•		
Soft roll-control caster	•	•	•	•	•	•

* See product understanding pages for additional details

Steelcase Capabilities

- Introduction
- Proposed Team & Milestones
- Direct & Dealer Locations
- Plant Location
- Shipping Lead Times
- Sustainability Information

VI. Corporate Capabilities

JUST THE FACTS

.....

No.1

Global Market Position

1912

Company Established

110,000+

Companies served

\$USD3.1 Billion

Annual revenue for Fiscal 2016

500+

Product lines

12,000+

Employees worldwide

650+

Dealers globally

SCS

New York Stock Exchange since
1998 IPO



As the global leader in furnishing workplace environments, we have a unique ability to satisfy the needs of our customers anywhere in the world, wherever they work. Our brands offer a comprehensive portfolio of products and services, all inspired by over 100 years of insight gained from serving the world's leading organizations.

Headquartered in Grand Rapids, Michigan, our global reach provides a broad context for understanding emerging issues and what it means to be a responsible corporate citizen. In a fast-changing world that's more interdependent every day, we provide insights, products and services that help people do their best work. Unlocking human promise is the fundamental principle on which our company was founded in 1912, and it remains our focus today.

Steelcase began as The Metal Office Furniture Company in Grand Rapids, Michigan. We received our first patent in 1914 for a steel wastebasket – a major innovation at a time when straw wastebaskets were a serious office fire hazard. That led to metal desks, and we've led the way with product and service innovations ever since.

Introduction

A ROBUST GLOBAL PRESENCE

Across borders, time zones and languages, our global network of capabilities – unmatched in our industry – gives us roots and reach to provide products to our customers all over the world.

CREATING A BETTER, MORE SUSTAINABLE WORLD

From environmental leadership to supporting diversity to strengthening communities to spearheading efforts to improve urban schools, we invest in helping people realize possibilities. Through our own efforts and collaboration with others, we're recognized as a company that creates social, economic and environmentally sustainable value.

As a global company, Steelcase is dedicated to creating relationships with diverse businesses. We promote cultural acceptance through:

- Fair recruiting and hiring processes
- Raising awareness among employees of diversity issues
- Creating partnerships with other companies that support diversity

Visit **Steelcase.com** for more information

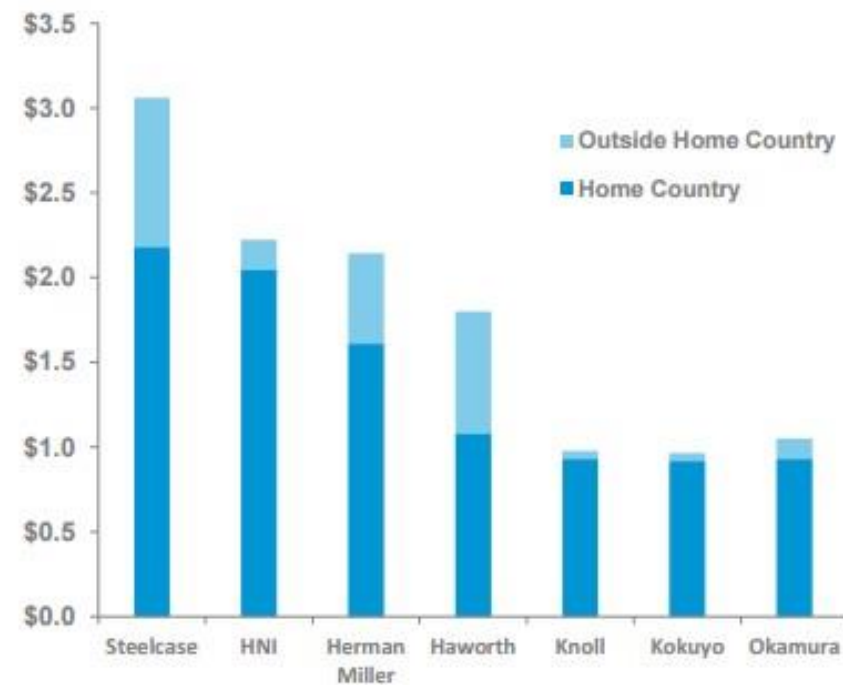
Our global capability is also our local differentiator

When compared to the sales volumes of firms considered to be our competitors, Steelcase's revenue base implies that we are the global leader in the commercial furniture market and have been for many years. Steelcase's global reach, extensive service capabilities, and broad product offering have uniquely allowed us to serve large customers with complex needs.

Following is the latest sales data from Steelcase and seven of our global competitors. The graph shows sales both within and outside the companies' home countries.

GLOBAL OFFICE FURNITURE MARKET SALES*

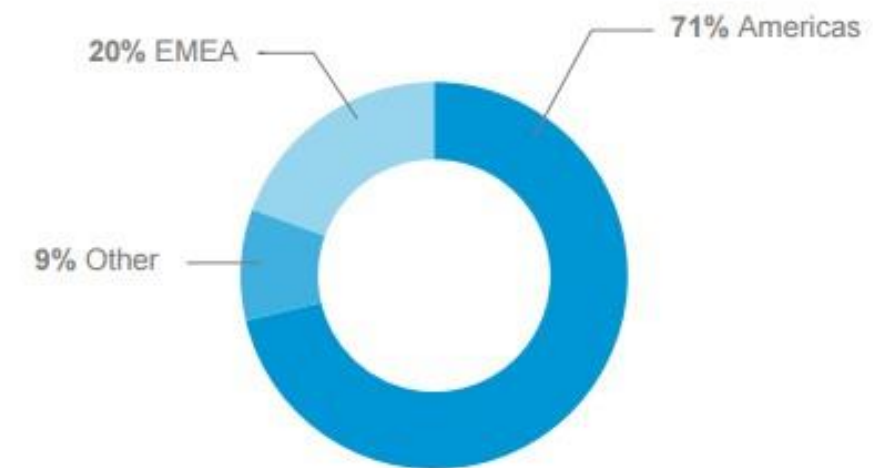
(\$ in billions)



*Most recently published annual data and/or internal estimates

BUSINESS SEGMENT REVENUE MIX*

(Steelcase Inc. - fiscal 2015)

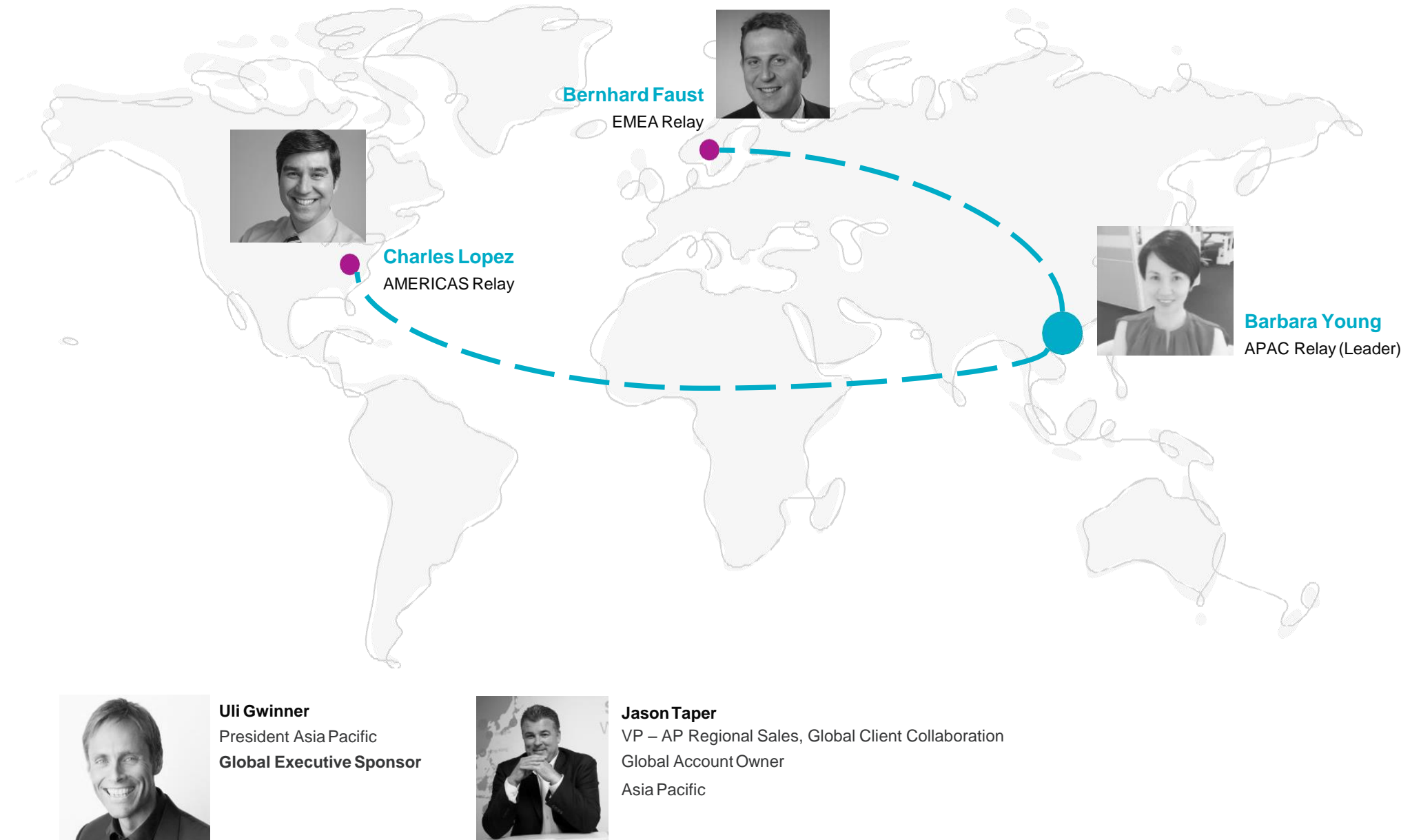


Proposed Global Team

Coordinated Global Efforts

Our global customers benefit from a dedicated network of Steelcase employees who are skilled at managing global projects, in the following topics:

- Collaborate with other locations.
- Create and manage your global project plans.
- Resolve issues.
- Manage global projects.
- Understand and communicate your needs.
- Assist with product application and design.
- Manage contracts and pricing.



Huawei Account Relays

Global Leader

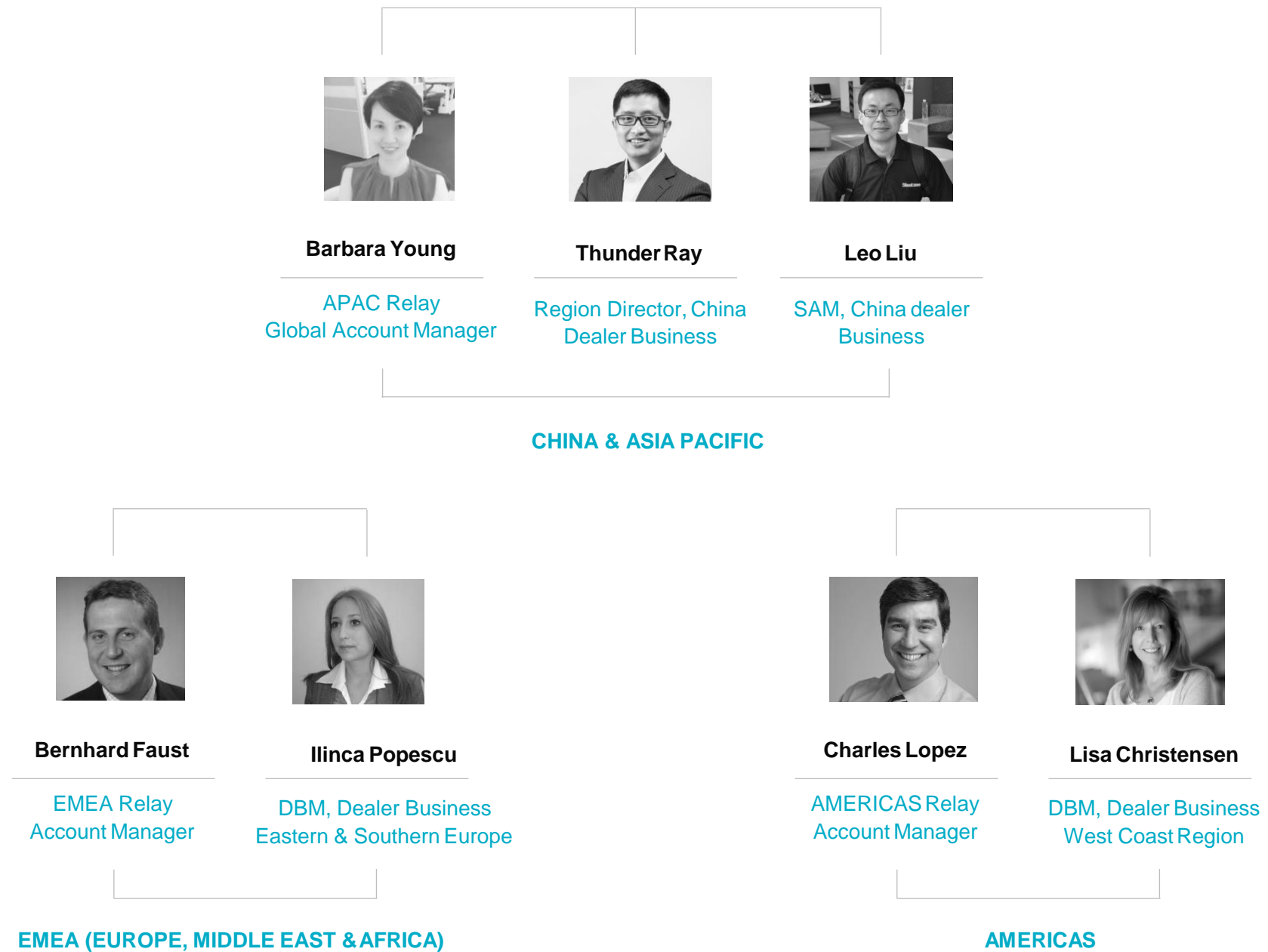
- Understands global needs
- Builds global account plan
- Manages global team
- Global communications
- Global relationship
- Global execution

Regional Relay

- Understands regional needs
- Builds regional account plan
- Manages regional team
- Regional communications
- Regional relationship
- Regional execution

Local Relay

- Understands local needs
- Builds local account plan
- Manages local team
- Local communications
- Local relationship
- Local execution



Special Team + Milestones

SPECIAL TEAM

This table of milestones will be dedicated specifically to Huawei Technologies Globally with a team of specialist who will be allocated to, assist and monitor project highlights and progress, upon awarded. The added value service also includes reciting documents in **Chinese** globally. The special team will be led by **Barbara Young**, APAC Relay - Global Account Manager.

Step 1 Design Development	Step 2 Project Planning	Step 3 Specification	Step 4 Order	Step 5 Preinstall	Step 6 Install	Step 7 Day 2
<ul style="list-style-type: none"> • Consultation / work setting analysis • Floor plan • Typical development • Ancillary selection/ pricing 	<ul style="list-style-type: none"> • Budget pricing • Value engineering • Leadtime & schedule confirmation 	<ul style="list-style-type: none"> • Standards, Floorplan, and Finishes approved • Furniture CAD created • Specification • Specification audit 	<ul style="list-style-type: none"> • Quotation • Purchase Order • Procurement • Order Entry • Weekly Project Status • Report 	<ul style="list-style-type: none"> • Construction documents review • Power/data coordination • Coordination with contractors • Field survey and verification • Furniture tracking 	<ul style="list-style-type: none"> • Installation plans • Product installation • Coordination with trades on site • Punchlist Walk-through • Project Close Out • Post Project Review • Change Management 	<ul style="list-style-type: none"> • Maintenance • End-user requests • Ergonomic adjustments • Storage & warehousing • Reconfiguration • Densification • Warranty services
1	2	3	4	5	6	7

Capabilities + Innovation

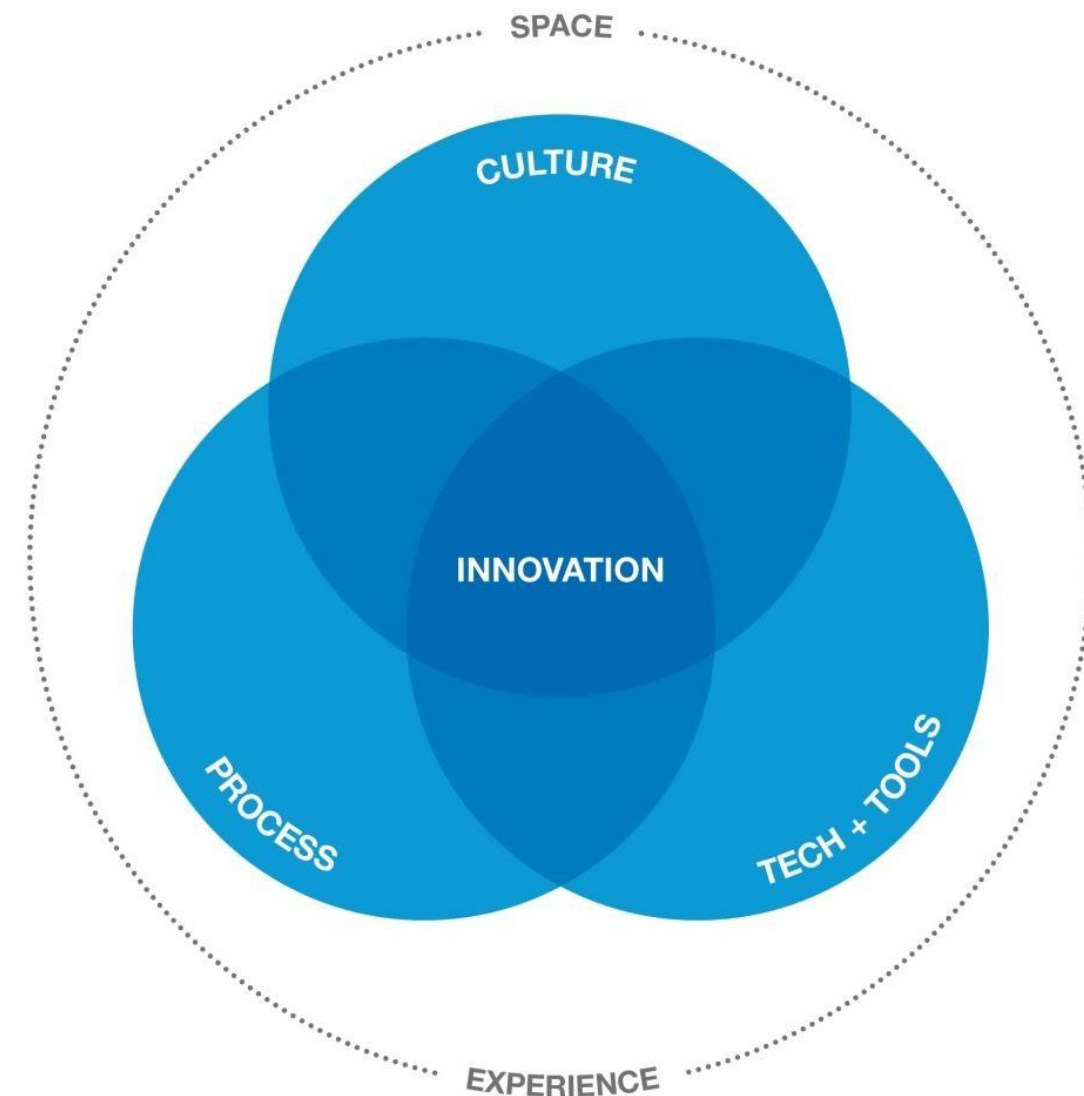
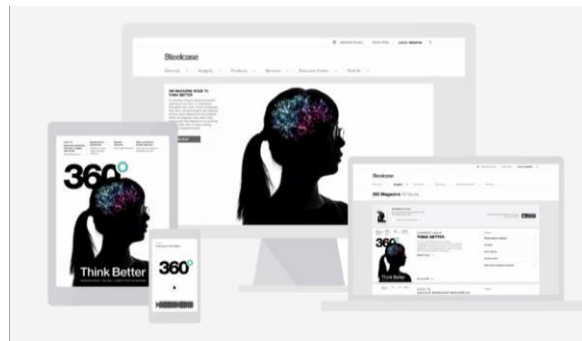
INNOVATION

The where of innovation, we believe...

- Culture influences innovation
- Process supports innovation
- Technology and tools accommodate innovation

We keep our knowledge current through the following means:

- Extensively researching projects on specific topics and industries
- Perpetually developing tools
- Publishing case studies, white papers, and our 360 magazine
- Constantly refining our research methodologies.

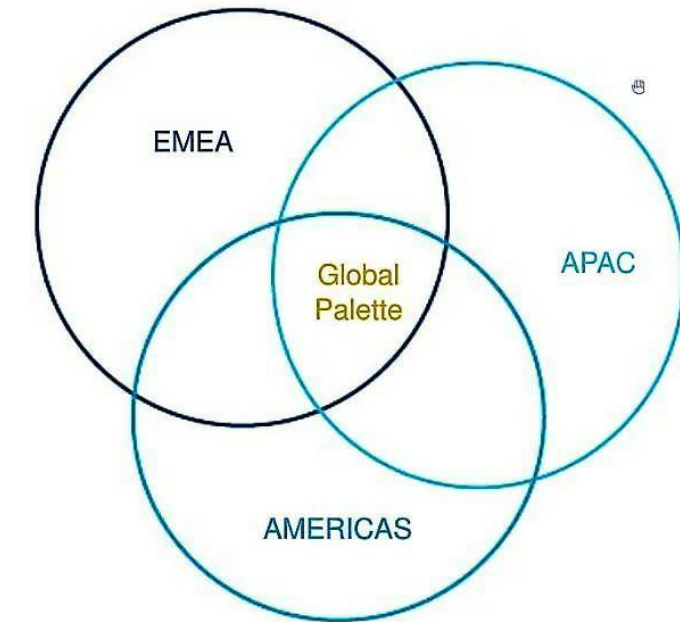


Design + Layout

WE CAN OFFER GLOBAL CONSISTENCY

Global companies are motivated by the desire to have a consistent representation of their culture and values across all geographies and internal branding plays an important role in corporate spaces. By working together in a series of structured sessions the Steelcase design team can offer Global consistency across the by delivering the right applications and solutions built based on local products & capabilities.

There's a noticeable trend for many leading organizations to better reflect and support their culture and brand across the globe. We can offer a Global Palette that is a core collection of finishes that help you represent your brand and culture across multiple geographies.



ASIA PACIFIC



EMEA



AMERICAS



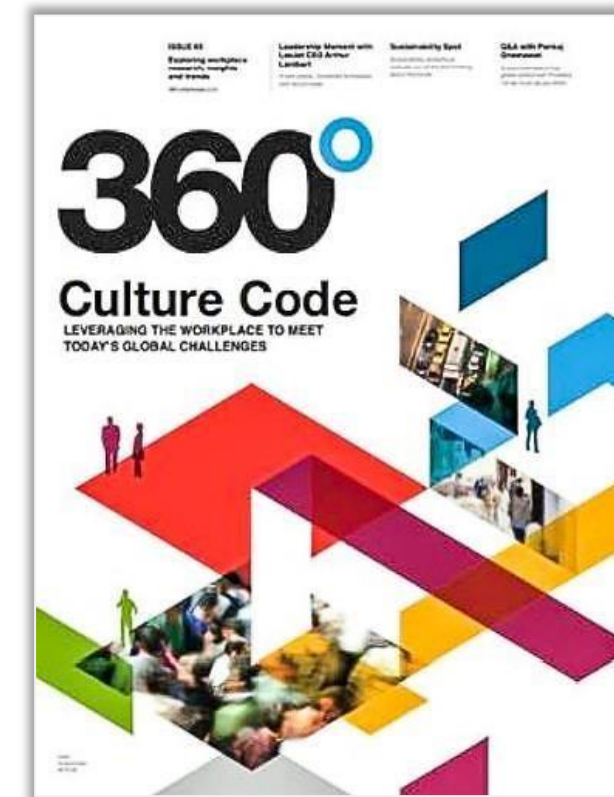
Design + Layout

CULTURE CODE

The Global applications Network uses our Culture Code insights to reflect and incorporate important values, employee behaviors and larger cultural contexts into work environments around the world. Through the lens of the Culture Code we gather insights and translate them into relevant applications.

Steelcase researchers released a study examining how local culture affects the work space. The results showed a space that is optimized for innovation and collaboration, encourages new ideas to flow and realize their potential. But an ideal configuration for Huawei Technologies China may not work the same way in Middle East, Africa, Europe and America. Design must take cultural traits into consideration.

We understand cultural similarities and differences between countries and we can create spaces which reflect the culture depending where the project is located.



Understanding Key Workplace Issues

Today's workplace must address the diverse ways people are working. It must support enhanced collaboration, the essence of knowledge work. It needs to inspire and attract people to work at the office instead of the coffee shop. It should nurture personal wellbeing, and leverage organizational culture and the company's brand. Overall, this workplace must make the most of every square inch of an organization's real estate.

Collaboration + Privacy

Collaboration is the way innovation is achieved. The workplace should enhance collaborative work whether it's face to face or distributed. The tools and spaces people required are very different from the past.

Attract, Develop And Engage

Hiring the right motivated workers is critical to success and innovation. Space can help attract the right talent and help workers develop the skills needed to work in an interconnected world.

Build Brand + Culture

You can't live your brand without living in your brand. It's about fostering the type of culture that fits your brand in an authentic way. Your space can match your values and be carried through the entire workplace to shape the behavior of employees.

Wellbeing @ Work

Wellbeing in the workplace needs to consider the whole person - the body and mind - and understand wellbeing is a systemic issue. Physical wellbeing impacts cognitive and emotional wellbeing. To have the brain fully firing, the body needs to be supported and comfortable.

Resilient Real Estate

Organizations are asking their real estate to work harder and smarter than ever before. Real estate optimization leverages the workplace to create greater value by supporting your people in new and innovative ways.

Workplace Workshop

DISCOVERY EXERCISE DISCUSSION

How are you leveraging the power of place?

Organizations strive to bring their people together with a shared purpose, in a workplace that delivers what users want and need. While this goal sounds simple, it can be difficult to articulate workplace priorities.

Aligning on workplace issues and priorities provides clarity for leaders and users. The Discovery Exercise allows audiences to identify and discuss workplace opportunities. Use the Discovery Exercise to:

- review the top issues affecting leading organizations
- prioritize and rank 16 workplace statements
- linking top workplace issues/priorities that have been collectively identified with business objectives

The Discovery Exercise discussion is implemented as an in-room exercise for a large, cross-functional group of participants. The experience is both informative and enlightening for the participants and leaders.

A discussion summary will be provided which includes high level space implications along with the identified Workplace Priorities.



Workplace Workshop

COLLABORATIVE SITUATIONS WORKSHOP

Collaboration is about working with one or more people to achieve a goal, such as creating content, brainstorming or evaluating options. Many organizations are looking for new ways to foster collaboration among employees. A great way to unlock collaborative potential within your organization is to understand and identify the unique ways your teams are working together today as well as capture where they see their collaborative work evolving in the near future.

The Steelcase Collaborative Situations Workshop offers a forum to identify and discuss the range of collaborative activities in your work day. Together we'll explore the ways you interact with your colleagues in both planned and unplanned sessions.

Our goal is to learn from you. As we gain an understanding of your collaborative work activities, we can consider ways that the workplace can help. Following the workshop, we will create a summary report that includes a collection of tailored thought starter applications designed to support different types of collaboration.



Our Direct Sales Office & Dealership

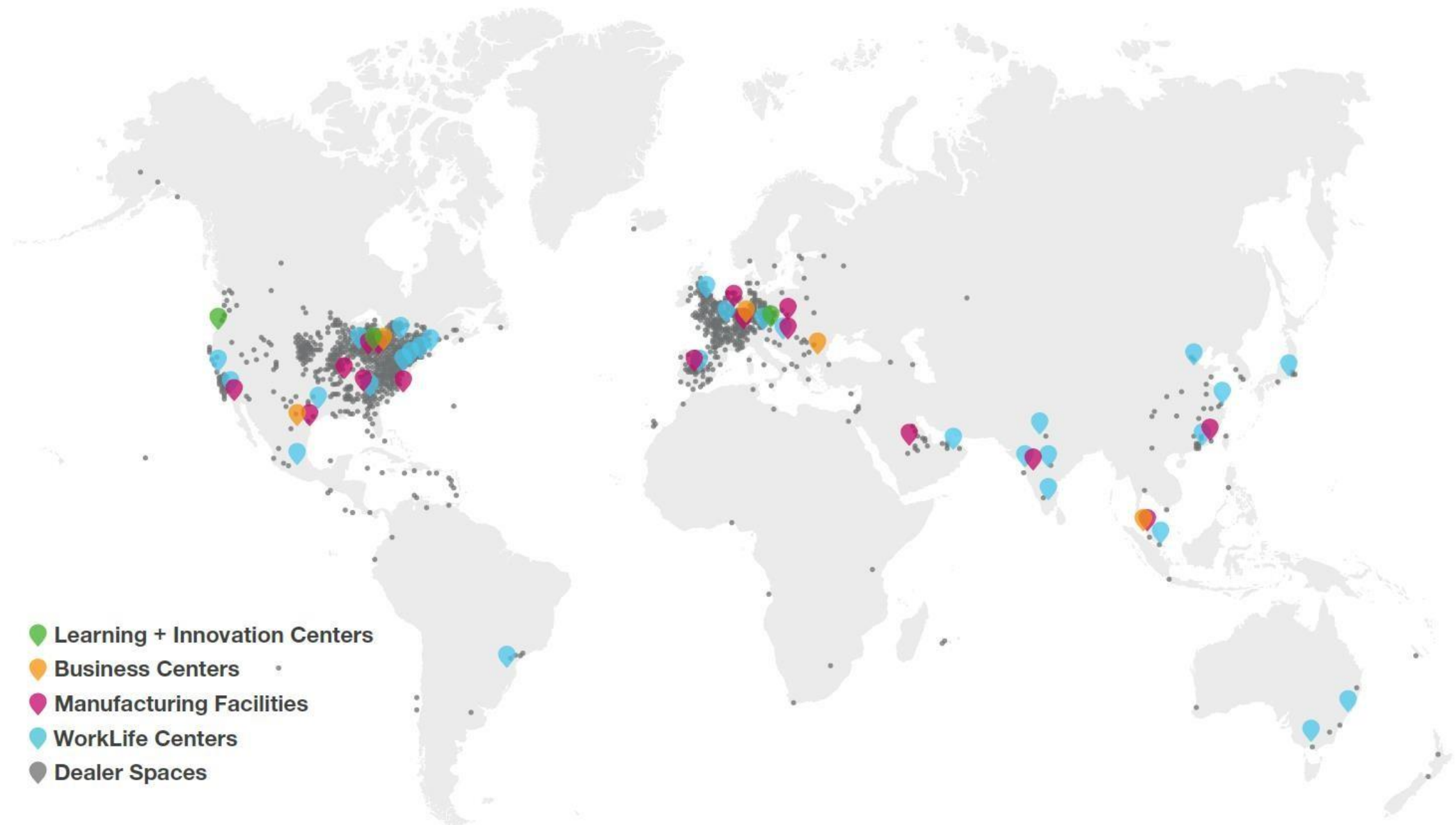
No matter where you are, it's easy to do business with Steelcase. We make our products and services available through the largest, most experienced network of dealers in the industry. The Steelcase dealer network is comprised of 650+ dealers with over 800 locations around the world. Most of our dealerships are independently owned and operated, and a few are Steelcase owned.

Dealers are committed to building long-term customer relationships, and they serve as their customers' local, first-point-of-contact for all product, service, and warranty questions and requests. As experienced business owners, dealers recognize that they can only be successful by fully meeting or exceeding their customers' needs. To that end, they are committed to providing our customers exemplary service for all of your locations.

Steelcase dealers offer local knowledge, skilled labor, workplace installation, regional asset management, and other services that may include providing audio-visual technology, floor coverings, ceilings and more to satisfy customer projects and high expectations.

Our dealer programs let you work with your local dealer on projects at multiple locations. These programs bring individual Steelcase dealerships into a unified group, with a single point of contact and consistent service no matter where your projects are located.

Direct Sales Office & Dealership Locations



EMEA Direct Sales Office Locations



Zurich, Switzerland

Dealer WorkLife Center
WSA Office Project
Industriestrasse 2
Dietlikon 8305
Switzerland

Phone: +41.448.058.888
Email: info@wsa.ch



Strasbourg, France

Steelcase WorkLife Center
Espace Européen de l'Entreprise
1 Allée d'Oslo, BP 40033
Schiltigheim, Strasbourg Cedex 67012
France

Phone: +33.3.88.13.30.30
Email: worklab@steelcase.com



Rosenheim, Germany

Steelcase WorkLife Center
Georg-Aicher-Strasse 7
Rosenheim 83026
Germany

Phone: +49.8031.405.0



Paris, France

Steelcase WorkLife Center
23 Boulevard Jules Ferry
Paris 75011
France

Phone: +33.1.49.29.61.61
Email: welcomep@steelcase.com



Madrid, Spain

Steelcase WorkLife Center
C/ Antonio López, 243
Madrid 28041
Spain

Phone: +34.914.759.000
Email: afinfo@steelcase.com



London, England

Steelcase WorkLife Center
77-79 Farringdon Road
EC1M 3JU
London
United Kingdom

Phone: +44 (0) 207.421.9000
Email: info_uk@steelcase.com



Frankfurt, Germany

Steelcase WorkLife Center
Speicherstraße 57
Frankfurt
Germany

Phone: +49.8031.405.0
Email: tatjana.geiling@steelcase.com



Dubai, United Arab Emirates

Steelcase WorkLife Center
Design House, PO Box 502596
Dubai Media City, Dubai 502596
United Arab Emirates

Phone: +971.4.3697838
Email: info-me@steelcase.com

EMEA Dealership Information

Sales Regi	Country	SITE_TYPE_NA	SITE_NAME	P_CITY	SITE_EMAIL
EMEA South	France	Branch	Blanchet Dhuismes	Villebarou	f-bd@blanchet-dhuismes.fr
EMEA South	France	Headquarters	Actiburo	Le Lamentin	actiburo@sclm.fr
EMEA South	France	Headquarters	Tertia Solutions	Entzheim	jlopez@tertia.fr - jltalmy@tertia.fr
EMEA South	France	Headquarters	Steelcase Solutions	Mulhouse	pmiksa@steelcase.com
EMEA South	France	Headquarters	Guyenne Buro	Condezaygues	g.bouyssonnier@idBuro.com
EMEA South	France	Branch	Actuel Buro	Dax	gcaillouet@actuelburo.fr
EMEA South	France	Headquarters	Atrium	Mérignac	atrium@atrium-sa.com
EMEA South	France	Headquarters	Actuel Buro	Orthez	gcaillouet@actuelburo.fr
EMEA South	France	Branch	3DBuro	Sauvagnon	gcaillouet@actuelburo.fr
EMEA South	France	Headquarters	Espace Bureautique	Aurillac	eb15-bernard@wanadoo.fr
EMEA South	France	Branch	Dactyl Buro Aménagement	Clermont-Ferrand	ldebaure@dactylburo-amenagement.fr
EMEA South	France	Headquarters	Quadrat	Colombelles	contact@quadrat.fr
EMEA South	France	Headquarters	Ergos	Quetigny	pbuonocore@ergos.fr
EMEA South	France	Headquarters	Espace & Fonction	Sancé	espace-et-fonction@wanadoo.fr
EMEA South	France	Branch	OuestBureau	Brest	groupe@ouest-bureau.fr
EMEA South	France	Headquarters	OuestBureau	La Mézière	groupe@ouest-bureau.fr
EMEA South	France	Branch	OuestBureau	Langueux	groupe@ouest-bureau.fr
EMEA South	France	Branch	OuestBureau	Lorient	groupe@ouest-bureau.fr
EMEA South	France	Branch	OuestBureau	Morlaix	groupe@ouest-bureau.fr
EMEA South	France	Branch	OuestBureau	Quimper	groupe@ouest-bureau.fr
EMEA South	France	Branch	OuestBureau	Vannes	groupe@ouest-bureau.fr
EMEA South	France	Headquarters	Dactyl Buro Aménagement	Bourges	ldebaure@dactylburo-amenagement.fr
EMEA South	France	Branch	Blanchet Dhuismes	Chartres	f-bd@blanchet-dhuismes.fr
EMEA South	France	Branch	Dactyl Buro Aménagement	Chateauroux	ldebaure@dactylburo-amenagement.fr
EMEA South	France	Branch	Dactyl Buro Aménagement	Fleury-Les-Aubrais	ldebaure@dactyl-amenagement.fr
EMEA South	France	Branch	Dactyl Buro Aménagement	Nevers	ldebaure@dactylburo-amenagement.fr
EMEA South	France	Headquarters	Blanchet Dhuismes	Parcay Meslay	f-bd@blanchet-dhuismes.fr
EMEA South	France	Headquarters	Steelcase Solutions Champagne	Bezannes	pchaumet@steelcase.com
EMEA South	France	Headquarters	Cors Aménagement- Buromag SA	Afa	buromag@buromag.net
EMEA South	France	Branch	Cors Aménagement - Buro 2B	Biguglia	buro2b@buro2b.net
EMEA South	France	Headquarters	JPL Mobilier	Devecey	contact.jpldm@jplsolutions.fr
EMEA South	France	Headquarters	Dactyl Bureau	Vesoul	jp.bleuchot@dactylbureau.fr
EMEA South	France	Headquarters	Mobipro	Baie Mahault	mobipro@orange.fr
EMEA South	France	Headquarters	Burosys	Franqueville-St-Pierre	infos@burosys.fr
EMEA South	France	Branch	ConceptOceane	Le Havre	contact@conceptoceane.fr
EMEA South	France	Headquarters	Solutions by Steelcase	Nanterre	Emmanuelle ARNAUD, earnaud@steelcase.com
EMEA South	France	Headquarters	3D Concept	Générac	contact@3d-concept.fr
EMEA South	France	Headquarters	RapidBuro Aménagements	Narbonne	calipage.rapidburo@orange.fr
EMEA South	France	Branch	Quadria	Brive La Gaillarde	s.charrieras@quadria.fr
EMEA South	France	Headquarters	Quadria	Limoges	s.charrieras@quadria.fr
EMEA South	France	Branch	SDIB Lorraine Nord	Metz	metz@sdib.fr
EMEA South	France	Headquarters	SDIB Lorraine Sud	Nancy - Pompey	nancy@sdib.fr
EMEA South	France	Headquarters	Safra SA	Albi	contact@safra.fr
EMEA South	France	Headquarters	Bureau Moderne	Auch	mobiler@bureau-moderne.fr
EMEA South	France	Headquarters	Bureaux Evolution	Pamiers	thierry.chetioui@bureaux.fr
EMEA South	France	Headquarters	T.B. Aménagement	Ramonville-Saint-Agne	sromiszv@steelcase.com
EMEA South	France	Headquarters	Abor Distribution	Rodez	direction@abor.fr
EMEA South	France	Headquarters	Delvallé SA	Coquelles	contact@delvalle-sa.fr
EMEA South	France	Headquarters	Steelcase Solutions Nord	Villeneuve d'Ascq	amenu@steelcase-solutions.fr

EMEA Dealership Information

Sales Regi	Country	SITE_TYPE_NAM	SITE_NAME	P_CITY	SITE_EMAIL
EMEA South	France	Headquarters	SICOMEX	Dumbea	Karine@sicomex.nc
EMEA South	France	Headquarters	Industrium SAS	SAINT PIERRE	romuald.derrible@derrible.com
EMEA South	France	Headquarters	CBS	Angers	cbs@cbs.fr
EMEA South	France	Branch	CBS	Cholet	cbs@cbs.fr
EMEA South	France	Headquarters	Equip' Buro	La Roche Sur Yon	equipburo@equip-buro.com
EMEA South	France	Branch	OuestBureau	Laval	groupe@ouest-bureau.fr
EMEA South	France	Branch	Blanchet Dhuismes	Le Mans	f-bd@blanchet-dhuismes.fr
EMEA South	France	Branch	Workhub OuestBureau	Saint Herblain	
EMEA South	France	Branch	Steelcase Solutions Soissons	Soissons	pchaumet@steelcase.com
EMEA South	France	Branch	Marcireau	Angoulême	amenagement@marcireau.fr
EMEA South	France	Branch	Marcireau	Futuroscope Chasseneuil	amenagement@marcireau.fr
EMEA South	France	Branch	Marcireau	La Rochelle	amenagement@marcireau.fr
EMEA South	France	Headquarters	Marcireau	Niort	amenagement@marcireau.fr
EMEA South	France	Headquarters	SICOM	Faa'a - Tahiti	yvon.sic@sicom.pf
EMEA South	France	Branch	Pro Bureau Aménagement	Avignon	astier@probureauamenagement.com
EMEA South	France	Branch	Pro Bureau Alpes du Sud	Gap	arzailler.pbas@wanadoo.fr
EMEA South	France	Branch	Pro Bureau Alpes du Sud	Manosque	arzailler.pbas@wanadoo.fr
EMEA South	France	Headquarters	Ellipse	Sophia Antipolis	xsimon@steelcase.com
EMEA South	France	Headquarters	Pro Bureau Aménagement	Vitrolles	astier@probureauamenagement.com
EMEA South	France	Branch	P.S.AAménagement	GENAS	
EMEA South	France	Branch	Espace & Fonction	Bourg-en-Bresse	espace-et-fonction@wanadoo.fr
EMEA South	France	Branch	P.S.AAménagement	Châteauneuf-sur-Isère	a.gomy@psa-amenagement.fr
EMEA South	France	Headquarters	Alpes Aménagement	Saint Martin D' Heres	nbouyon@steelcase.com
EMEA South	France	Headquarters	P.S.AAménagement	Saint Priest	l.melinand@psa-amenagement.fr
EMEA South	France	Branch	P.S.AAménagement	Valence	
EMEA South	France	Headquarters	Steelcase Solutions Picardie	Amiens	amenu@steelcase-solutions.fr
EMEA South	France	Branch	QUADRIA	CAHORS	
EMEA South	France	Headquarters	SOFRADAM	MUDAISON	benjamin@sofradam.fr
EMEA North	Germany	Headquarters	4d-raumwerk GMBH & Co. KG	Witten	kontakt@4d-raumwerk.de
EMEA North	Germany	Headquarters	Büro-Musterhaus Prickartz GmbH	Aachen	info@prickartz.de
EMEA North	Germany	Headquarters	Mathes GmbH & Co. KG	Aachen	info@mathes.de
EMEA North	Germany	Headquarters	gremerath bürosysteme	Aalen	info@gremerath-aalen.de
EMEA North	Germany	Headquarters	Baumhoer Büroeinrichtungen	Aichtal	info@baumhoerbuero.de
EMEA North	Germany	Headquarters	LHL Bürotechnik & Einrichtung GmbH	Altötting	office@lhl-service.de
EMEA North	Germany	Branch	Büroelektronik Grasenhiller GmbH Kompetenz im Büro	Amberg	info@grasenhiller.de
EMEA North	Germany	Headquarters	Breitinger AG	Aschaffenburg	info@breitinger.de
EMEA North	Germany	Branch	Bürocenter Reich GmbH	Augsburg	info@reich.biz
EMEA North	Germany	Headquarters	Büromöbel Schmid	Augsburg	info@bueromobel-schmid.de
EMEA North	Germany	Headquarters	Höchemer Büro GmbH & Co. KG	Bad Bocklet / Großenbrach	büero@hoechemer.de
EMEA North	Germany	Headquarters	Der BüroFührer GmbH	Bad Kreuznach	info@derbuerofuehrer.de
EMEA North	Germany	Headquarters	Feierabend GmbH	Bad Tölz	info@buerofeierabend.de
EMEA North	Germany	Headquarters	Dillis Innenausbau	Bad Wörishöfen	innenausbau@dillis.de
EMEA North	Germany	Headquarters	2 F Einrichtungen GmbH	Bayreuth	info@2f-einrichtungen.de
EMEA North	Germany	Headquarters	Algonet GmbH	Berlin	info@algonet.de
EMEA North	Germany	Headquarters	Raumhaus GmbH	Berlin	info@raumhaus.de
EMEA North	Germany	Branch	Feha Büro-Technik GmbH	Biberach	biberach@fehade
EMEA North	Germany	Branch	pro office Büro- und Objekteinrichtung Vertriebsgesellschaft mbH	Bielefeld	info.bielefeld@proofoffice.de
EMEA North	Germany	Headquarters	Designfunktion	Bonn	bonn@designfunktion.de
EMEA North	Germany	Headquarters	plan.b Integrierte Raum- und Technikkonzepte GmbH	Bonn	info@plan-b-bonn.de
EMEA North	Germany	Branch	pro office Büro- und Objekteinrichtung Vertriebsgesellschaft mbH	Braunschweig	info.braunschweig@proofoffice.de

EMEA Dealership Information

Sales Regi	Country	SITE_TYPE_NAM	SITE_NAME	P_CITY	SITE_EMAIL
EMEA North	Germany	Branch	pro office Büro- und Objekteinrichtung Vertriebsgesellschaft mbH	Bremen	info.bremen@proofice.de
EMEA North	Germany	Headquarters	BOA GmbH Büro Objekt Ambiente GmbH	Chemnitz	boaGmbH@t-online.de
EMEA North	Germany	Branch	Orga-Plan Beratungs- und Vertriebs GmbH	Cottbus	info@orgaplan-cottbus.de
EMEA North	Germany	Headquarters	RBE GmbH Büro- und Objekteinrichtung	Dachau	info@rbe-gmbh.de
EMEA North	Germany	Headquarters	NKS, Darmstadt	Darmstadt	infoda@nothnagel-gruppe.de
EMEA North	Germany	Branch	Feha Büro-Technik GmbH	Dillingen	info@fehade.de
EMEA North	Germany	Headquarters	Werndl + Schmidt-Keilholz Büro- und Objekteinrichtungen GmbH	Dreieich-Sprendlingen	info@woc-ffm.de
EMEA North	Germany	Headquarters	HUTLOFF GmbH	Dresden	office@hutloff.de
EMEA North	Germany	Headquarters	inside Büro + Objektdesign GmbH	Dresden	inside-dd@t-online.de
EMEA North	Germany	Headquarters	Rouette Eßer GmbH	Düren	info@rouette-ehser.de
EMEA North	Germany	Branch	BOS Raum 3 GmbH	Düsseldorf	info@bos-buero.de
EMEA North	Germany	Branch	Henneveld.office GmbH	Düsseldorf	infodus@henneveld.de
EMEA North	Germany	Headquarters	Büro & Design Georg Greb	Ebelsbach	info@bueroeinrichtung-greb.de
EMEA North	Germany	Headquarters	Schmied Profi Office	Eislingen/Fils	profioffice@aol.com
EMEA North	Germany	Headquarters	Weinrich Erfurt GmbH Büroorganisation	Erfurt	info@weinrich.de
EMEA North	Germany	Headquarters	Quadro Office	Eschborn	info.rheinmain@quadro-office.de
EMEA North	Germany	Headquarters	Quadro Office -die Büroeinrichter- GmbH	Essen	info@quadro-office.de
EMEA North	Germany	Headquarters	Kühnle Büromöbel	Fichtenberg	info@kuehnle-bueroemoebel.de
EMEA North	Germany	Headquarters	Leonhard Büro Gestaltung GmbH	Filderstadt-Bernhausen	info@leonhard-stuttgart.de
EMEA North	Germany	Branch	Büromöbel Sofort-Markt Müller GmbH	Frankfurt	frankfurt@bmsfort.de
EMEA North	Germany	Branch	henneveld.office GmbH	Frankfurt	info@henneveld.de
EMEA North	Germany	Branch	Kist Büro- und Objekteinrichtung GmbH	Freiburg	info@b1o.de
EMEA North	Germany	Headquarters	office plus Erhardt GmbH	Freiburg	info@office-plus.de
EMEA North	Germany	Headquarters	König Bürotechnik	Friedberg	info@koenig-kg.de
EMEA North	Germany	Headquarters	Dyck & Stratemann Büroeinrichtungen GmbH & Co. KG	Garbsen-Berenbostel	info@dyck-stratemann.de
EMEA North	Germany	Headquarters	office4you Büroeinrichtungen GmbH	Garching	info@office4yougmbh.com
EMEA North	Germany	Headquarters	Bürocenter Nienhaus GmbH	Gelsenkirchen	info@buero-center-nienhaus.de
EMEA North	Germany	Headquarters	Büroteam Gera Wildt GmbH	Gera	buero-team-gera@t-online.de
EMEA North	Germany	Headquarters	AD Raumkonzepte	Gevelsberg	info@adraumkonzepte.de
EMEA North	Germany	Branch	merTens AG	Großbeeren	info@mertens.ag
EMEA North	Germany	Branch	pro office Büro- und Objekteinrichtung Vertriebsgesellschaft mbH	Göttingen	info.goettingen@proofice.de
EMEA North	Germany	Headquarters	Feha Büro-Technik GmbH	Günzburg	info@fehade.de
EMEA North	Germany	Headquarters	Otto Blesel GmbH Einrichtung-Planung-Design	Hagen	bb@blesel.de
EMEA North	Germany	Branch	Büromöbel Sofort-Markt Müller GmbH	Hamburg	hamburg@bmsfort.de
EMEA North	Germany	Headquarters	Joppich & Rieckhoff Handelsgesellschaft für Büroeinrichtungen mbH	Hamburg	info@jrbuero.de
EMEA North	Germany	Headquarters	Kirsch & Lütjohann GmbH & Co. KG	Hamburg	info@Kirsch-luetjohann.de
EMEA North	Germany	Branch	Pro Office GmbH	Hamburg	info@proofice.de
EMEA North	Germany	Branch	pro office Büro- und Objekteinrichtung Vertriebsgesellschaft mbH	Hamel	info.hameln@proofice.de
EMEA North	Germany	Branch	pro office Büro- und Objekteinrichtung Vertriebsgesellschaft mbH	Hannover	info.hannover@proofice.de
EMEA North	Germany	Headquarters	Take Office Büroeinrichtungen GmbH	Herne	info@takeoffice.de
EMEA North	Germany	Headquarters	Dyck & Franke Dortmund GmbH	Holzwickede	kontakt@dyck-franke.com
EMEA North	Germany	Headquarters	Marb Büro- & Objekteinrichtungen	Ingolstadt	info@buero-marb.de
EMEA North	Germany	Headquarters	Hennecke GmbH	Itzehoe	info@hennecke-buero.de
EMEA North	Germany	Headquarters	H&K Einrichtungen GmbH	Jena	info@huk-einrichtungen.de
EMEA North	Germany	Headquarters	Römer + Römer OfficeCenter	Kaiserslautern	info@roemer-roemer.de
EMEA North	Germany	Headquarters	Paul Feederle GmbH	Karlsruhe	info@feederle.de
EMEA North	Germany	Headquarters	Offino Büromöbel GmbH	Kempten/Allgäu	info@offino.de
EMEA North	Germany	Headquarters	Stücker Büroeinrichtungen GmbH	Kiel	info@stuecker-kiel.de
EMEA North	Germany	Headquarters	es plant, Kiel	Kiel	info@esplant.de
EMEA North	Germany	Headquarters	Büro-Creativ GmbH	Koblenz	info@buero-creativ.de

EMEA Dealership Information

Sales Regi	Country	SITE_TYPE_NAM	SITE_NAME	P_CITY	SITE_EMAIL
EMEA North	Germany	Branch	Kist Büro- und Objekteinrichtung Konstanz GmbH	Konstanz	info@kist.de
EMEA North	Germany	Headquarters	Kellner - Das Büro aus einer Hand Inh. Sabine Euchler	Kornhochheim	info@Kellner-dasbuero.de
EMEA North	Germany	Headquarters	Offermanns & Partner O. & P. Objekteinrichtungs GmbH	Krefeld	info@offpa.de
EMEA North	Germany	Headquarters	Büro-Organisation heiß GmbH	Kulmbach	info@buero-heiss.de
EMEA North	Germany	Branch	BOS Büro Objekt System GmbH	Köln	info@bos-buero.de
EMEA North	Germany	Headquarters	neueRäume.Gesellschaft für Objekteinrichtung mbH	Köln	info@neuraeume.eu
EMEA North	Germany	Headquarters	Büro Optimal Sneganas Büroeinrichtungshandels GmbH	Landshut	info@buero-optimal.de
EMEA North	Germany	Headquarters	Bienek GmbH	Laubach	support@bienek-gmbh.de
EMEA North	Germany	Headquarters	Buro Albers GmbH & Co. KG	Leer	info@buero-albers.de
EMEA North	Germany	Branch	Kist Büro- und Objekteinrichtung Leipzig GmbH	Leipzig	leipzig@kist.de
EMEA North	Germany	Headquarters	pro office Büro- und Objekteinrichtung Vertriebsgesellschaft mbH	Lemgo	info.lemgo@proofice.de
EMEA North	Germany	Headquarters	Müller & Höhler GmbH & Co. KG	Limburg/Offheim	info@mueller-hoehler.de
EMEA North	Germany	Branch	Feha Büro-Technik GmbH	Lutherstadt Eisleben	eisleben@fehade
EMEA North	Germany	Headquarters	Quadro Office	Lübeck	info@quadro-office.nord.de
EMEA North	Germany	Branch	Büro Complett GmbH	Lüchow	info@buero-complett.de
EMEA North	Germany	Headquarters	Büro-Jung GmbH & Co. KG Der Büroausstatter	Mainz	info@buero-jung.de
EMEA North	Germany	Headquarters	Kantz Bürosysteme GmbH	Mainz	info@kantz-buero.de
EMEA North	Germany	Branch	henneveld.pro office GmbH	Mainz	infomainz@henneveld.de
EMEA North	Germany	Headquarters	officecenter GmbH	Mannheim	info@officecenter.ws
EMEA North	Germany	Headquarters	BBM Büro-Organisation Bucher	Memmingen	info@bucher-buero.de
EMEA North	Germany	Branch	Büro Albers GmbH & Co. KG	Meppen	info.meppen@buero-albers.de
EMEA North	Germany	Headquarters	Bürobedarf Hundegger GmbH & Co. KG	Mindelheim	info@hundegger.biz
EMEA North	Germany	Headquarters	Planqvratr Objekteinrichtungen Meyk Schmidt	Moorgrund-Möhra	info@planqvratr.com
EMEA North	Germany	Headquarters	büroform Mannsperger GmbH	Murr	info@bueroform.net
EMEA North	Germany	Headquarters	Büroorganisation Christian Grentner GmbH	Mülheim a.d. Ruhr	info@grentner.de
EMEA North	Germany	Headquarters	Büroart GmbH	München	info@bueroart.de
EMEA North	Germany	Headquarters	Büromöbel Sofort-Markt Müller GmbH	München	muenchen@bmsosfort.de
EMEA North	Germany	Headquarters	S+W BüroRaumKultur GmbH	München	info@sundw.de
EMEA North	Germany	Headquarters	WIPPER BUERO-DESIGN GmbH	München	info@wipperbueroesign.de
EMEA North	Germany	Headquarters	TON GmbH	Münster	info@ton-objekt.de
EMEA North	Germany	Headquarters	Wahl Büro+Objekt GmbH	Nauen	info@wahl-bo.de
EMEA North	Germany	Headquarters	Büroeinrichtungshaus ASBO Alois Bolch GmbH	Neckarsulm	info@asbo-nsu.de
EMEA North	Germany	Headquarters	Mandt Büro-Organisation GmbH	Neubrandenburg	info@mandt-buero.de
EMEA North	Germany	Headquarters	Büroelektronik Grasenhiller GmbH Kompetenz im Büro	Neumarkt	info@grasenhiller.de
EMEA North	Germany	Branch	es plant, Neumünster	Neumünster	info@esplant.de
EMEA North	Germany	Headquarters	Leonhard Büro Gestaltung GmbH	Nürnberg	info@leo-buero.de
EMEA North	Germany	Headquarters	werndl + wisniewski Büro- und Objekteinrichtungen GmbH	Nürnberg	info@werndl-wisniewski.de
EMEA North	Germany	Headquarters	KIST Büro- und Objekteinrichtung GmbH	Offenburg-Elgersweier	offenburg@kist.de
EMEA North	Germany	Headquarters	BLZ Scherz + Cramer GmbH	Osnabrück	info@blz-sc.de
EMEA North	Germany	Branch	pro office Büro- und Objekteinrichtung Vertriebsgesellschaft mbH	Osnabrück	vertrieb@proofice.de
EMEA North	Germany	Headquarters	planB GmbH & Co. KG	Paderborn	info@planb-einrichtungen.de
EMEA North	Germany	Headquarters	Büro Albers GmbH & Co. KG	Papenburg	info@buero-albers.de
EMEA North	Germany	Branch	fritzoffice GmbH & Co. KG	Passau	info@fritzoffice.de
EMEA North	Germany	Headquarters	stiegele büro + objekt GmbH & Co. KG	Pforzheim	info@stiegele-bo.de
EMEA North	Germany	Headquarters	cb creative büroeinrichtung gmbh	Pliezhausen-Gniebel	info@cb-cb.de
EMEA North	Germany	Headquarters	Unger Design International	Radebeul	info@unger-design.de
EMEA North	Germany	Headquarters	Kranz Das Moderne Büro GmbH	Regensburg	info@kranz-buero.de
EMEA North	Germany	Headquarters	Ludwig Bürosysteme Matthias Ludwig	Reichenbach	post@ludwig-buerosysteme.com
EMEA North	Germany	Headquarters	Hinderer Büro- und Objekteinrichtungen	Remshalden	hinderer-buoeinrichtungen@t-online.de
EMEA North	Germany	Headquarters	Schwadke Büroeinrichtungen Planungs- und Einrichtungs GmbH	Rosenheim	info@schwadke.de

EMEA Dealership Information

Sales Regi	Country	SITE_TYPE_NAM	SITE_NAME	P_CITY	SITE_EMAIL
EMEA North	Germany	Headquarters	KreativBüro GmbH	Rödermark	info@kreativ-buero-gmbh.de
EMEA North	Germany	Headquarters	Maurer Einrichtungen GmbH, Saarbrücken	Saarbrücken	info@maurer-einrichtungen.de
EMEA North	Germany	Headquarters	Büro Complet GmbH	Salzwedel	info@buero-complett.de
EMEA North	Germany	Branch	KIST Büro- und Objekteinrichtung GmbH	Schramberg-Sulgen	schramberg@kist.de
EMEA North	Germany	Headquarters	Bürocenter Reich GmbH	Schrobenhausen	info@reich.biz
EMEA North	Germany	Branch	Christoffel and Friends Planen und Einrichten GmbH & Co. OHG	Schweinfurt	werner@christoffel.de
EMEA North	Germany	Headquarters	Bernd Vorberg, Objekt-Einrichtungen und Möbeltischlerei e.K., Inh. Heiko Körner	Schwerin	info@vorbergobjekt.de
EMEA North	Germany	Headquarters	Thies Bürotechnik GmbH & Co. KG	Stadtlöhn	info@thies-buerotechnik.de
EMEA North	Germany	Branch	fritzoffice GmbH & Co. KG	Straubing	info@fritzoffice.de
EMEA North	Germany	Branch	BüroAmbiente Gesellschaft für Büroeinrichtung mbH: Stuttgart, Germany	Stuttgart	info@bueroambiente.de
EMEA North	Germany	Headquarters	Max Rudolf Pahl KG	Stuttgart	info@pahl-buero.de
EMEA North	Germany	Headquarters	Brüderl GmbH & Co. KG	Traunreut	info@bruederl.de
EMEA North	Germany	Headquarters	Büro & Objekt by ORDNUM e.K.	Trier	info@buerobjekt.de
EMEA North	Germany	Headquarters	Scheurer & Lecher GbR	Ulm	info@scheurer-lecher.de
EMEA North	Germany	Headquarters	fritzoffice GmbH & Co. KG	Viechtach	info@fritzoffice.de
EMEA North	Germany	Branch	Büroelektronik Grasenhiller GmbH Kompetenz im Büro	Weiden	info@grasenhiller.de
EMEA North	Germany	Headquarters	Officin Marketing-und Einrichtungen GmbH	Weilmünster	
EMEA North	Germany	Headquarters	Gessler + Funk GmbH	Weingarten	info@gessler-funk.de
EMEA North	Germany	Headquarters	Gebrüder Möglich GmbH + Co. KG	Wetzlar	info@moeglich-online.de
EMEA North	Germany	Headquarters	BOS Büro Objekt System GmbH	Wiehl	info@bos-buero.de
EMEA North	Germany	Headquarters	henneveld.office GmbH	Wiesbaden	info@henneveld.de
EMEA North	Germany	Headquarters	merTens AG	Wiesbaden	info@mertens.ag
EMEA North	Germany	Headquarters	merTens AG	Willich	info@mertens.ag
EMEA North	Germany	Branch	Dyck & Stratemann Büroeinrichtungen Wolfsburg GmbH	Wolfsburg/ Fallersleben	info@dyck-stratemann.de
EMEA North	Germany	Headquarters	büroforum planen und einrichten GmbH	Würzburg-Heuchelhof	info@bueroforum.net
EMEA North	Netherlands	Headquarters	OCS + Steelcase	's-Hertogenbosch	info@ocs-steelcase.nl
EMEA North	Netherlands	Branch	OCS + Steelcase	Amsterdam	info@ocs-steelcase.nl
EMEA North	Romania	Headquarters	Corporate Office Solutions Bucharest	Bucharest	cweller@cos.ro
Iberia	Spain	Headquarters	INDALOFICINAS, S.L.	Almeria	info@multifocinas.es
Iberia	Spain	Headquarters	Moisés Suministros S.L.	Barbastro	Info@moises-showroom.com
Iberia	Spain	Headquarters	AMABAR	Burgos	administracion@amabar.es
Iberia	Spain	Branch	Cador Espacios	Barcelona	flopez@cador.es
Iberia	Spain	Branch	Vitalis Vida en el Trabajo S.L.	Barcelona	comercial_bcn@vitalis.es
Iberia	Spain	Headquarters	Ofimatic S.A.	Cornellá de Llobregat	ofimatic@ofimatic.es
Iberia	Spain	Headquarters	Dinof S.A.	Bilbao	dinof@dinof.com
Iberia	Spain	Headquarters	MECANIZACION EXTREMENA SA	Badajoz	info@mecaex.com
Iberia	Spain	Branch	Metal Timanfaya S.L.	Arrecife de Lanzarote	metaltimanfaya@metalconfort.com
Iberia	Spain	Headquarters	Metal Confort S.L.	Las Palmas de G. Canaria	comercial@metalconfort.com
Iberia	Spain	Branch	Metal Confort S.L.	Santa Cruz de Tenerife	metalcte@telefonica.net
Iberia	Spain	Headquarters	Cador Espacios S.A.U.	Madrid	villalba@cador.es
Iberia	Spain	Headquarters	Ergodesign S.A.	Madrid	ergodesign@ergodesign.es
Iberia	Spain	Headquarters	Vitalis Vida en el Trabajo S.L.	Pozuelo de Alarcón	comercial@vitalis.es
Iberia	Spain	Headquarters	Tabica	Murcia	mobiliario@tabica.es
Iberia	Spain	Headquarters	J. Antunez S.L.	Pamplona	antunez@antunezequipamiento.es
Iberia	Spain	Headquarters	GREENDOK	Valencia	comercial@greendok.com
Iberia	Spain	Headquarters	QUALITYCHAIR, S.L.	Alicante	info@qualitychair.es
Iberia	Spain	Headquarters	Escala Papelería Técnica S.A.	LOGROÑO	escala@fer.es
Iberia	Spain	Headquarters	Orsal S.L.	Náquera Valencia	orsal@orsal.com
EMEA North	Switzerland	Branch	WSA Office Project	Oftringen	info@wsa.ch
EMEA North	Switzerland	Branch	WSA Office Project	Basel	info@wsa.ch
EMEA North	Switzerland	Branch	WSA Office Project	St. Gallen	info@wsa.ch
EMEA North	Switzerland	Branch	Müller Bürogestaltung	Wittenbach	info@muellerbuero.ch
EMEA North	Switzerland	Headquarters	WSA Office Project	Dietlikon	info@wsa.ch
EMEA North	Switzerland	Branch	Wachter Büro AG	Winterthur	info@wachter.ch
EMEA North	Switzerland	Headquarters	Fabrizio Razzini AG	Bern 14	info@razzini.ch
EMEA North	Switzerland	Headquarters	Büro Vision AG	Buchs	info@buero-vision.ch
EMEA South	Switzerland	Headquarters	New Organisation Systems	CRISSIER	nos@nos-sa.ch
EMEA South	Switzerland	Headquarters	WSA Office Project	Crissier	info@wsa.ch
EMEA South	Switzerland	Headquarters	Villat Meubles S.A.	Delémont	stephane.villat@villat.ch
EMEA South	Switzerland	Headquarters	Merieult-Donze S.A.	La Chaux-de-Fonds	info@merieultdonze.ch
EMEA South	Switzerland	Headquarters	Gimo S.A.	Sion	info@gimo.ch
EMEA South	Switzerland	Branch	New Organisation Systems	Vernier	nos@nos-sa.ch
EMEA North	Switzerland	Branch	WSA Office Project	Zug	info@wsa.ch
EMEA South	Turkey	Headquarters	Klassis	Istanbul	steelcase@klassis.com

EMEA Dealership Information

The Basic Services Available From Most Steelcase Dealers:

Furniture project management	Manages of all aspects of furniture projects from inception through complete furniture installation (normally included with new furniture orders).
Interior design services	Combines creative aesthetics with functional solutions to produce productive and comfortable environments in all interior spaces.
Space planning services	Identifies the key issues that set the parameters of the project for the purpose of space planning, encompassing the following: <ul style="list-style-type: none">CAD space planning services Provides detailed drawings to be used for installation purposes upon receipt of an approved CAD-based block plan from the architect or client.Verification of field dimensions Confirms room dimensions shown on client-provided CAD drawings or plans.
Furniture specification services	Utilizes an automated specification tool to prepare furniture component list and costs.

EMEA Dealership Information

The Basic Services Available From Most Steelcase Dealers:

Installation coordination services

Coordinates the logistical management of furniture installation, such as project management, product installation, coordination of product arrival from manufacturer, verification of site conditions, logistical staging of product and enforcement of quality/safety/code standards.

Punch list coordination services

Identifies any discrepancies to complete furniture installation in compliance to furniture plan, including issuing punch list and updating punch list with resolution and completion

Post-installation evaluation

Provides a team to audit a project for installation quality compliance.

Transportation coordination services

Ensures product delivery meets client requirements and site conditions. Included with these services are: determination of appropriate vehicle type for project site, obtaining appropriate municipal clearances for parking, if necessary and coordination of delivery in compliance with property management requirements. Normal delivery is often included with purchase of new product.

EMEA Dealership Information

The Basic Services Available From Most Steelcase Dealers:

Studies to reduce costs	Reduces costs in products and services through the following activities: continual update of workstation typicals, utilization of existing products, value engineering when performance or function is not sacrificed and recommendations to avoid duplications of services/products.
Alternative office design	Includes workplace performance analysis and related planning services as they relate to business results and facilities issues.
Ergonomic evaluation	Recommendations for improved safety and ergonomics as they relate to furniture. This advantageous service might include providing product for evaluation on a limited basis or providing training on the usage of furniture as it relates to ergonomics.
Furniture disposition	Provides coordination of the removal and liquidation of your surplus furniture through qualified furniture brokers.

EMEA Dealership Information

The Basic Services Available From Most Steelcase Dealers:

Furniture rental	Provides product in the event of project delays.
Maintenance and repair services	Provides maintenance and repair of all furniture products including non-warranty repair, parts supply and emergency repairs after-normal-business hours. These services are typically quoted on a per-project basis.
Furniture refurbishment	Provides maintenance and repair of all furniture products including non-warranty repair, parts supply and emergency repairs after-normal-business hours. These services are typically quoted on a per-project basis.
Reconfiguration	<ul style="list-style-type: none">• Optimizes your furniture assets to meet changing work needs:• Inventorying existing products• Creating over/under balance to specify new product/parts requirements• Dismantling and rebuilding existing products• Applying new, existing, and/or stored products.

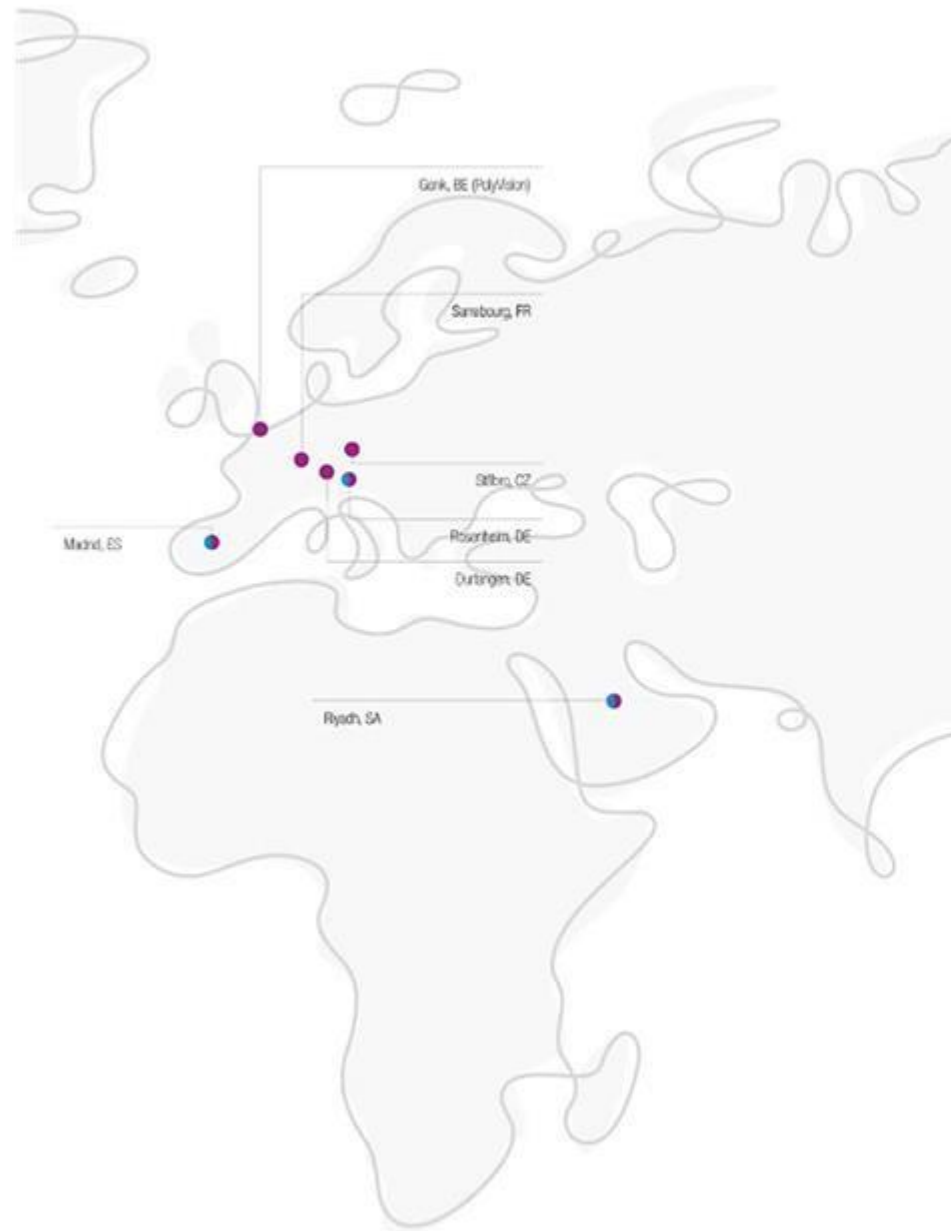
EMEA Dealership Information

The Basic Services Available From Most Steelcase Dealers:

Move coordination	Coordinates relocation services with you and your contracted vendors: <ul style="list-style-type: none">• Move strategy consultation• Supply labels and workstation designation numbers• Floor location map for movers• Labor to implement small internal moves and manage large moves
Inventory asset management	Includes full service customer storage, inventory management, inventory-list maintenance, condition reports, and movement history.
Electronic ordering	Transmits orders, reports, invoices, etc., from your computer to your Steelcase dealers' computer.
Educational seminars	Trains personnel in proper and safe use of furniture.
Emergency services	Provides help for keys locked in desk, electrical failures, broken chair mechanisms, and any condition threatening safety or productivity.

Plant Locations

EUROPE, MIDDLE EAST & AFRICA (EMEA)



Rosenheim, Germany
Steelcase Werndl AG, Georg-Aicher-Str. 7, Rosenheim 83026, DE
1988, 24.000 m², Desks, Panels

Stribro, Czech Republic
Steelcase Střebro D5 Logistic Park 34901, Ostrov u Stribra D5 107
25.969 m² Storage and Panels

Sarrebourg, France
Steelcase S.A., Z.I. rue A. Lumière, Sarrebourg F-57400, FR
29.820m², Seating

Madrid, Spain
AF Steelcase, Antonio Lopez 243, Madrid 28041, ES
23.547m², Steel cupboards/ pedestals, customized and panels

Riyadh, Saudi Arabia
Steelcase Jeraisy Ltd. Industrial City, 3 Street No 310 Post Office No 102
22.760m², Panels, Seating, Desks

Shipping and Lead Times

EUROPE

Disclaimer: Please note that delivery can increase the total lead time depending on location of the project. Especially for Middle East and Africa.

Proposed Ranges	Lead times	Manufacturing plant
Ology	5 weeks	Rosenheim, Germany
OffimaEco Bench	5 weeks	Rosenheim, Germany
Media:scape table	9 weeks	Trade Goods,US
B-Free Softwork	5 weeks	Sarrebourg, France
B-Free Desk	5 weeks	Rosenheim, Germany
cobi	5 weeks	Sarrebourg, France
Eastside	5 weeks	Sarrebourg, France
FlipTop Twin	5 weeks	Rosenheim, Germany
Free Stand	6 weeks	Trade Goods, Poland
FrameOne	6 weeks	Rosenheim, Germany
Gesture	5 weeks	Sarrebourg, France
Implicit	5-6 weeks	Stribro, Czech Republic
Kalidro	5 weeks	Rosenheim, Germany
Lagunitas	7-8 weeks	Trade Goods, Spain
Leap	5 weeks	Sarrebourg, France
media:scape lounge	7 weeks	Trade Goods,US
Milbrae	6 weeks	Trade Goods, Poland
Partito Screen & Wall	4 weeks	Madrid, Spain
Reply Air	5 weeks	Sarrebourg, France
Sebastopol	7 weeks	Trade Goods, Germany
Share It	7 weeks	Stribro, Czech Republic
SW_1 Table	7-8 weeks	Trade Goods, Germany
SW_1 Chair	6-7 weeks	Trade Goods, Hungary
TouchDown	5 weeks	Rosenheim, Germany
Think	5 weeks	Sarrebourg, France
Visalia	6 weeks	Trade Goods, Poland
Westside	4 weeks	Sarrebourg, France

Our Sustainability



Steelcase is in the people business. While it's true we are a global leader in creating products and solutions for offices, schools, healthcare facilities and other workplaces, our larger purpose extends far beyond what we create.

We understand work is a social activity and believe it should be rewarding, fulfilling and give people a deeper sense of meaning and wellbeing. Sustainability plays a vital role in achieving that goal.

We believe sustainability is about creating the economic, social and environmental conditions that allow people and communities to thrive. We also believe it is an innovation lens and a pathway to ensuring our company is positioned to serve all of our stakeholders' needs well into the future.

This perspective influences everything we do – from the products we deliver to the research we conduct, the investments we make to the opportunities we explore. Sustainability is a systems approach to how we do business and it continues to produce results year after year.

HERE ARE SOME HIGHLIGHTS:

- Invested in renewable energy equivalent to 100 percent of our electricity use
- Expanded end of use services to help businesses redeploy assets at end of need or end of life – diverting millions of tons of furniture from the landfill and giving products new life
- Built urban school partnerships to drive educational outcomes and increased graduation rates through innovative approaches grooming tomorrow's leaders through real-world experiences
- Drove down our energy, water, and waste to meet our ambitious 2020 goals – despite expanding global production
- Launched an employee wellbeing platform that includes initiatives such as a dedicated wellbeing hub complete with nurses and coaches, generous parent bonding leave, and innovative training and development programs

Thanks for taking a look at our 2015 Corporate Sustainability Report.

A handwritten signature in black ink, appearing to read 'J. Keane'.

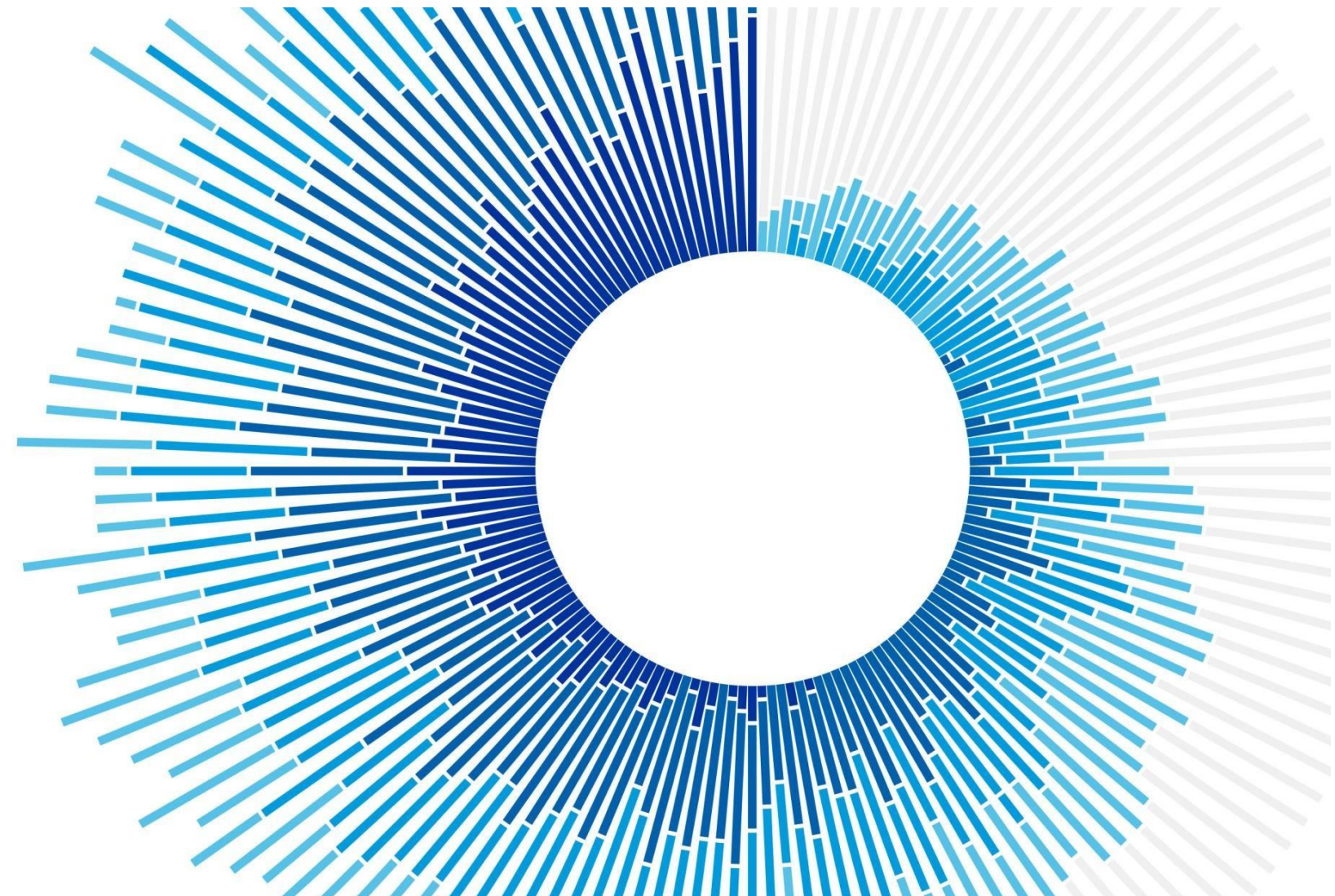
James Keane
President and CEO

Our Sustainability

Recognized Achievements 2015

Highlights from the past year that reflect the company's overall high marks include:

- Achieved a perfect score in the 2015 Corporate Equality Index, a benchmarking tool on policies and practices pertinent to lesbian, gay, bisexual and transgender employees
- Invested in renewable energy equivalent to 100% of global electricity consumption, the company continues to reduce energy, water, and waste consumption to meet ambitious 2020 goals – despite expanding global production.
- Employees offered a corporate record of service hours in the community - more than 12,000 hours.
- Received a Green Power Leadership Award from the U.S. Environmental Protection Agency (EPA) Green Power Partnership



Targets + Performances

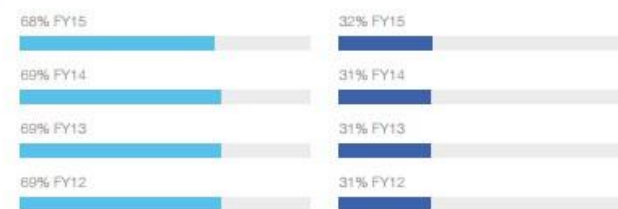
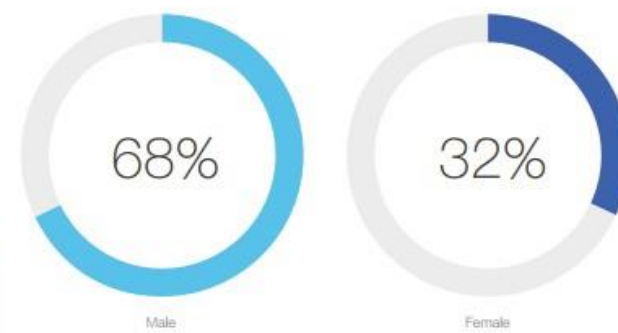
Across our global footprint, we're measuring our progress against our social, environmental and economics goals. We continuously strive to refine our metrics and expand our reporting, improving our focus on sustainability as we move toward global accuracy and amplified performance.

Social

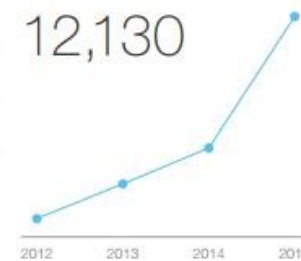
Employee Retention



Gender Distribution



Volunteer Hours Reported



Monetary and In-kind Donations

\$3.2 Million
 Steelcase Foundation
\$1.3 Million
 Steelcase Inc.

Environment

Progress Towards Goal



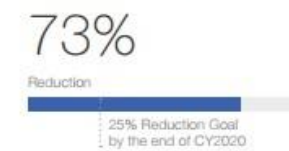
Greenhouse Gas Emissions



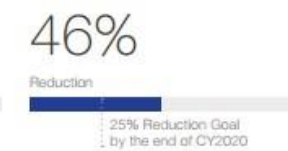
Water Use



VOC Emissions



Waste



Renewable Energy

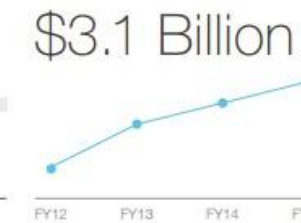
100% Investment in wind and hydroelectric renewable energy credits (RECs)

Economic

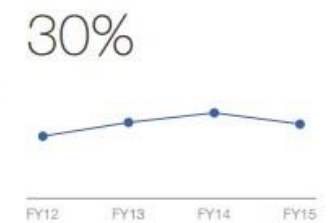
Stock Performance (\$ Dollars)



Revenue



Gross Profit



Net Income



Meeting Sustainability Requirements

SUSTAINABLE PRODUCT CERTIFICATIONS

- **SCS Indoor Advantage Certification** -majority of Steelcase systems and seating are SCS Indoor Advantage Air Quality Certified
- **Cradle to Cradle Certification** - more Cradle to Cradle Certified products than any other company in any industry, globally Over 57 certificates covering 80 products groups (March 2016)
- World's first C2C certifications for the following: workstation (fully powered), chair, compostable fabric, keyboard assemblies, full height wall, and internationally certified product
- **BIFMA e3 level™ Certification** 74 BIFMA level certified products (March 2016)
- Think®-first product certified to level™ 3 (highest BIFMA e3 standard) cobio®-level™ 3 certification
- **FSC Chain of Custody Certified** -wood manufacturing facility is FSC Chain of Custody certified to provide customers with FSC certified products.

SUSTAINABLE BUILDING CERTIFICATIONS AND REGISTRATIONS

Other certifications and registrations:

- ISO 9001 –14 certified facilities
- ISO 14001 –15 certified facilities
- EMAS –2 certified facilities
- OSHAS 18001 –4 certified facilities



Meeting Sustainability Requirements

SUSTAINABLE BUILDING CERTIFICATIONS AND REGISTRATIONS

LEED Certified Facilities

- Wood Products Plant, Grand Rapids, Michigan -first manufacturing facility in the world to be certified under the LEED™ Pilot Program -LEED NC Silver
- WorkLab, Grand Rapids, Michigan -LEED CI Platinum
- Steelcase Showroom, Chicago, Illinois -LEED CI Gold
- Steelcase Showroom, Washington, D.C -LEED CI Gold
- Shared Service Center, Kuala Lumpur, Malaysia -LEED Silver
- Global Headquarters Leadership Collaborative, Grand Rapids, Michigan -LEED CI Silver
- Coalesse Showroom, Chicago, Illinois -LEED CI Gold
- Designtex Showroom, Chicago, Illinois -LEED CI Gold

HEALTHY MATERIALS

Product is constructed free of environmentally hazardous materials such as PVC, CFC, solvent-based adhesives, heavy metals (chrome, lead and mercury) and benzene.

Product is constructed free of environmentally hazardous processes such as those that produce VOC's and deplete ozone.



Certifications & Warranty

We warrant that all Steelcase products are free from defects in materials and workmanship for the life of the product. This warranty is valid from date of delivery, regardless of shift usage, and covers the original purchaser for products delivered. Steelcase will repair or replace with comparable product, at its option and free of charge (for material and components) any product, part or component which fails under normal use. All our warranties are created to reflect cultural expectations for product longevity, and share commonalities in the stated exclusions and exceptions (please refer to the attached documents).

In the event you receive a Steelcase product that is freight-damaged, malfunctions, or requires warranty service, the process for placing a warranty claim is easy. Simply contact your servicing dealer or Steelcase, and we will repair or replace the product to your satisfaction.

SCS Certifications

- SCS IndoorAdvantage™ - Gold certified for indoor air quality
- Cradle to Cradle™ - Silver Product Certification from MBDC
- level 1™ and level 2™ certified to BIFMA e3 standard

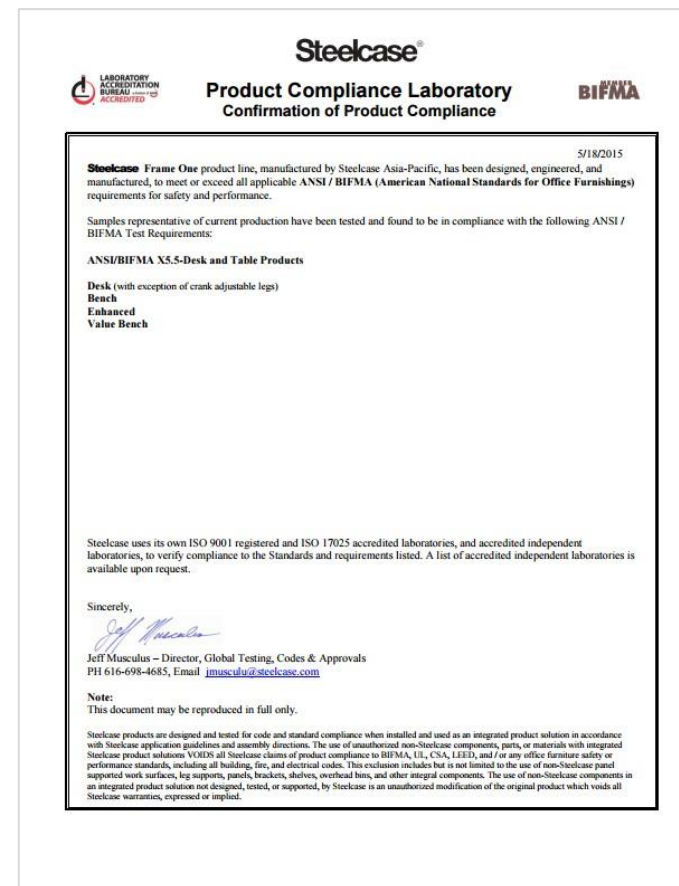
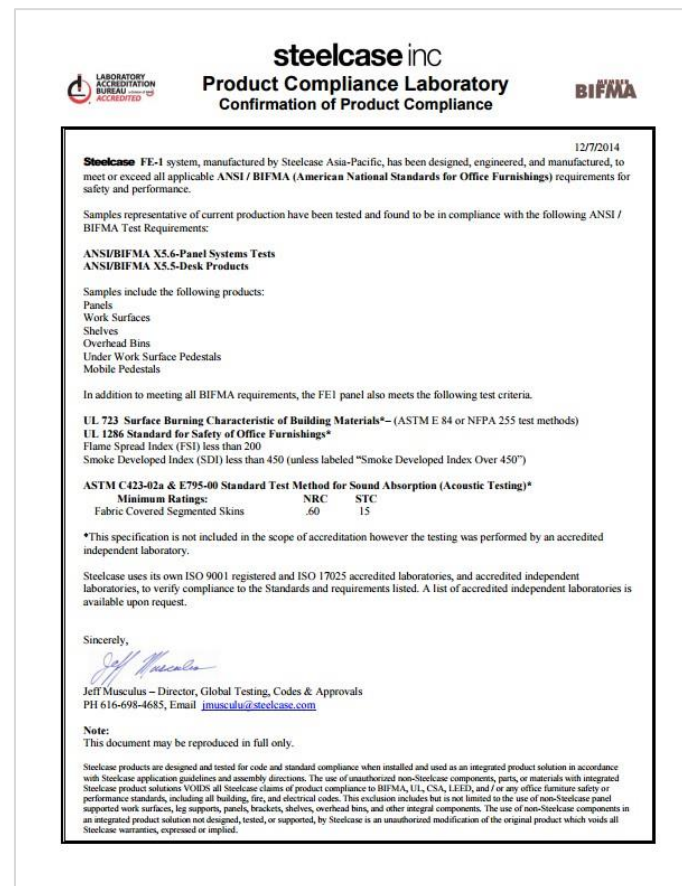


Please refer certifications documents

BIFMA Certifications

Steelcase products are designed and tested for code and standard compliance when installed and used as an integrated product solution in accordance with Steelcase application guidelines and assembly directions.

Steelcase uses its own ISO 9001 registered and ISO 17025 accredited laboratories, and accredited independent laboratories, to verify compliance to the Standards and requirements listed.



Steelcase Warranty

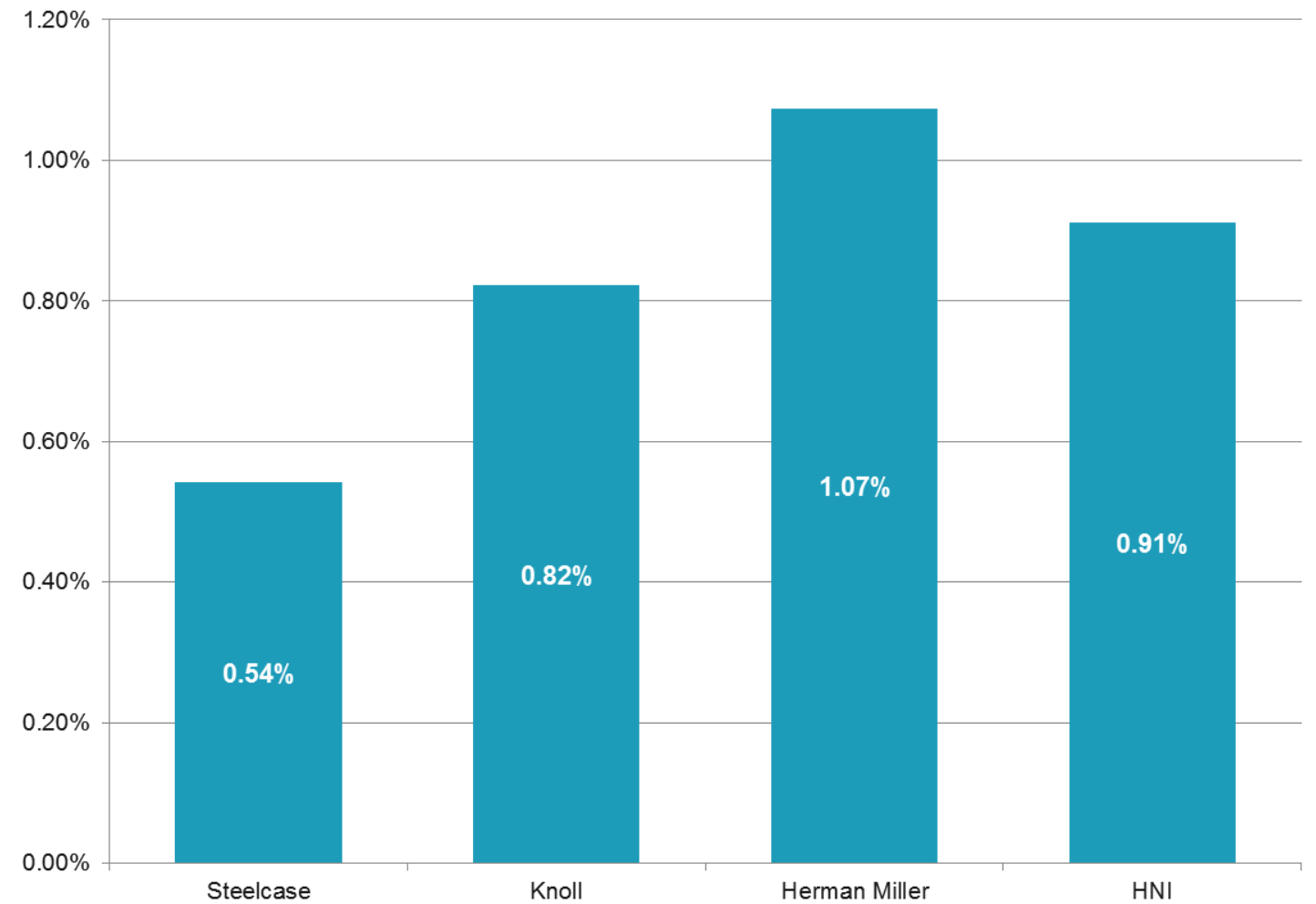
Our rigorous commitment to quality is also exemplified by the Steelcase warranty.

We Continue To Offer The Strongest Warranty In The Industry

Source: FY 2013 & FY 2014 Annual Reports and Quarterly Reports for public U.S. based companies

Methodology: warranty ratio = annual warranty accrual / annual sales revenue. 2013 presentation calculations used settlement data, whereas this slide uses accrual data, which more accurately reflects activity from the most current period.

Sources: Steelcase 2/28/2014 Annual Report, Knoll 12/31/2013 Annual Report, Herman Miller 5/31/2014 Annual Report, HNI 9/27/2014 Quarterly Report (9 months of data)



Global & Regional Warranty Certifications

PAGE 1 of 2
Effective 01/25/2016

STEELCASE WARRANTY for Global Products

YOU CAN DEPEND ON US. OUR PRODUCTS. OUR SERVICES. OUR PEOPLE.

Steelcase Inc. ("Steelcase") Global Products Warranty includes Steelcase® and Coalesse® brand products. Steelcase manufactures products for use around the world in every region. Products available in two or more regions are "Global Products." The regional warranties (the Americas (including the United States, Canada, Mexico, the Caribbean, Central and South America), EMEA (Europe, except UK and Ireland, including Russian Federation, Middle East, Central Asia and Africa), United Kingdom and Ireland, and APAC (Asia Pacific)) continue to apply for any product not included in the Global Products Warranty. Steelcase warrants that Global Products are free from defects in materials and workmanship. This warranty is valid from the date of delivery, regardless of shift usage, to the original purchaser and is non-transferable. Steelcase will repair or replace with comparable product, at its option and free of charge (for materials and components) any product, part or component which fails under normal use. If repair or replacement is not commercially practicable, Steelcase will provide a refund or credit for the affected product.

GLOBAL PRODUCTS - LIMITED WARRANTY

DESKS, TABLES, SCREENS, STORAGE AND BENCHING
 Steelcase: c-scape®, Diviso, FrameOne™, Ology™, and Universal Storage
 Coalesse: CQ_1™, Free Stand, Lagunitas™, Milbrae™, Power Pod, Sebatop™, and SW_1®

Lifetime Warranty
 Frame (except Coalesse), case/carcass, doors (except tambour), drawers (body and fronts), pulls/handles, supports, legs and base (except Coalesse), suspension, modesty panels, wire manager/cable tray, dividers, rails, shelves, hanging folders bar, interlocks and locks

12 Year Warranty
 Modular power/electrical power, mechanisms, casters and glides, Coalesse steel legs, and steel bases

5 Year Warranty
 Tambour doors, height adjustable mechanisms and electronics

3 Year Warranty
 Coalesse PowerPod, Coalesse electrical desktop, table top and rail mounted that houses power and/or data, and/or USB, Coalesse Free Stand mechanism and table, Coalesse SW_1 table tablet including slide mechanism

SEATING
 Steelcase: Amia™, cobi™, Gesture™, D2™, Leap™, Node™, QM™, Reply™, and Think™
 Coalesse: Hosi™, Lagunitas, Massaud, Milbrae, LessThanFive™, SW_1 and Walla™

Lifetime Warranty
 Frame (except Coalesse), seat shell, outerback, arm frame structure, base, stool footing

12 Year Warranty
 Mechanisms, pneumatic cylinder/gas lifts, arm caps, foam, casters and glides, and Node personal workspace, Coalesse lounge wood, bent-ply or steel frames

3 Year Warranty
 Lagunitas articulating back, LessThanFive carbon fiber chair, SW_1 lounge tablet

SURFACE MATERIALS
 Refer to separate regional warranties for surface materials details.

INTEGRATED TECHNOLOGIES
 mediascape®, ScopeSeries™, and RoomWizard™

Lifetime Warranty
 ScopeSeries and mediascape furniture components

3 Year Warranty
 mediascape technology components; RoomWizard

STEELCASE EDUCATION
 Node™, Verb™

Lifetime Warranty
 Frame, seat shell, outerback, arm frame structure, base, stool footing, cup holder, Verb whiteboards, docks, hooks, table legs, easels, wallrack, storage caddy

12 Year Warranty
 Node personal workspace, mechanisms, pneumatic cylinder/gas lifts, casters and glides, Verb teaching station system and plastic components

WORKTOOLS
 SOTO™/1+1 Welcome Tools, Eyselle®/Pluto, CF/FSMA, FY/Foward Arm, Volley, and dash®

Lifetime Warranty
 Mobile caddy, telephone caddy, binder holder, letter trays, launch pad non-powered and screen, functional screen, personal pocket, flat top hanger, wastebasket, forearm, mobile laptop support, laptop shell, motor bridge, ergo edge, and desk pad, cable clip, personal hook, toolbox, set of small tools

12 Year Warranty
 Eyselle®/Pluto, CF Series/FSMA, FY/Foward Arm, Volley, CPU supports and keyboard supports, lighting fixtures for dash and SOTO/1+1 LED

5 Year Warranty
 Launch pad powered, lighting components for dash LED and SOTO/1+1 LED light

3 Year Warranty
 USB charging station

*except Gesture and Leap 24/7 with 24/7 fabric and Frame fabric in 3 shifts

GLOBAL

page 1 of 2
Steelcase Asia Pacific Warranty
effective 7/1/2008
updated 11/15/2012

WE PROMISE.

YOU CAN DEPEND ON US.
 Our products. Our services. Our people.

INTERNATIONAL 8-YEAR MANUFACTURER'S WARRANTY

Without prejudice to the legal warranties provided under national law, Steelcase (Steelcase Inc. and its affiliates and subsidiaries) warrants that its commercial products are free from defects in materials or workmanship for a period of eight (8) years as of date of delivery for Steelcase® brand products (with the exceptions and exclusions specified below).

Steelcase will repair or replace with comparable product, at its option and free of charge (for material and components), any product, part or component which fails under normal use.

EXCEPTIONS

5 years
 All mechanisms (including seating mechanisms and non-electrical user-adjustable workstation mechanisms); foam, wood veneer, imported Coalesse, Details and Furniture brand products; APT chair; Shogun®; Pedestal; and Ultra portfolio products, except as provided below.

3 years
 Standard leather, upholstery, leather and acrylic from Steelcase; armrest covers; mediascape® technology components; Room Wizard®; 14-year parts (covering materials, casters, adjustable arm, pneumatic and Ultra seating mechanisms); and jacket hanger hook button on Personality chair.

2 years
 Electrical desk adjustments; marketboards; replacement parts (on the balance of the original warranty period, whichever is longer); electrical components; lighting elements; Ultra casters; foam, adjustable arms and pneumatic; and APT chair fabric.

1 year
 Ultra surface materials and fabrics; and bell on Personality chair.

Steelcase

APAC

PAGE 1 of 2
Effective 01/25/2016

STEELCASE WARRANTY for Europe – Middle East – Central Asia – Africa (except UK / Ireland)

YOU CAN DEPEND ON US. OUR PRODUCTS. OUR SERVICES. OUR PEOPLE.

Global Products are warranted in accordance with the Steelcase® Global Products Warranty. The list of Global Products are found in the Global Products Warranty. This Regional Warranty applies exclusively to products that are not Global Products. This warranty applies only to products delivered in Europe (except United Kingdom and Ireland) including Russian Federation, in Middle East, in Central Asia and in Africa. Without prejudice to the legal warranties provided under national law, Steelcase Inc. ("Steelcase") warrants that Steelcase® and Coalesse® brand products are free from defects in materials or workmanship for a period of eight (8) years except as set forth below. The warranty is valid from the date of delivery to the original purchaser and is non-transferable. Steelcase will repair or replace with comparable product, at its option and free of charge (for material and components) any product, part or component which fails under normal use. If repair or replacement is not commercially practicable, Steelcase will provide a refund or credit for the affected product.

EXCEPTIONS

SYSTEMS, STORAGE, DESKS, TABLES AND BENCHING

5 years
 All non-electrical mechanisms; foam

2 years
 Electrical desk adjustments; marketboards

SEATING

5 years
 Chair gas lifts, Gesture™ and Leap™ 24/7 Chair with 24/7 fabric with shells use, foam

3 years
 Gesture and Leap 24/7 Chair with Frame fabric in 3 shifts use

IMAGE & MANAGEMENT

3 years
 Image and Management products, except electrical components, electronic components and light elements

2 years
 Image and Management electrical components, electronic components and light elements

WORKTOOLS

2 years
 Special products, electrical components, electronic components and lighting elements

SURFACES

5 years
 Textiles, decors and other coverings (excluding wood veneer)

3 years
 Wood veneer, leather (excluding armrest covers), Coalesse glass, Fusion surfaces, Coalesse Lagunitas® and SW_1® knit, Elmotique Leather

EMEA

PAGE 1 of 2
Effective 11/5/2012
Updated 12/18/2014

STEELCASE LIMITED LIFETIME WARRANTY for Americas

YOU CAN DEPEND ON US. OUR PRODUCTS. OUR SERVICES. OUR PEOPLE.

Steelcase Inc. ("Steelcase") warrants that Steelcase®, Turnstone®, Steelcase® Health, and Details® brand products are free from defects in materials and workmanship for the life of the product, except as set forth below. This warranty is valid from the date of delivery, regardless of shift usage, and covers the original purchaser for products delivered in the Americas, United States, Canada, Mexico, Latin America and the Caribbean.

EXCEPTIONS TO THE LIFETIME COVERAGE

SYSTEMS AND STORAGE SOLUTIONS

12 years
 Modular Power, mechanisms, Post and Beam textile in-tilt, casters and glides, lighting fixtures

5 years
 Architectural doors, office systems doors, Steelcase Health overhead tables, height adjustable mechanisms, articulating and adjustable arms, lighting power supplies, ballasts and LED lighting components

3 years
 Personal caddy pad

SEATING

12 years
 Mechanisms, pneumatic cylinders, arm caps, foam, casters and glides, Max Stacker®, Max Stacker® L, Domino, wood frame side chairs, tablet arms, Node™ personal workspace, Verb™ teaching station lectern and plastic components, Steelcase Health recliner components and optional accessories other than internal structure

5 years
 Steelcase Health recliner, sleeper and central locking and trolley/luggage mechanisms and associated levers and pedals, Steelcase Health heat and massage units

INTERACTIVE AND ACOUSTIC SOLUTIONS

12 years
 60" film and brackets

5 years
 60" Play and 60" projector mounts

3 years
 60" technology components and accessories, 60" stylus, and 60" receiver; mediascape® technology components; RoomWizard™, On PRO sound masking control module

1 year
 Certified refurbished RoomWizard™

BOARDS AND EASELS

5 years
 Premium Taskboards

3 years
 Huddleboard™, Answer™ marketboard surfaces

DETAILS®

12 years
 Keyboard mechanisms, flat panel monitor arms, lighting fixtures, vertical cable carrier

5 years
 Height Adjustable mechanisms, lighting power supplies, ballasts and LED lighting components, launch pad power components, and urethane edge treatments

3 years
 Executive office tools, palm rests, Kybur® Power Recliner™, USB charging station, Workstation treadmill mats and wear items (1 year service and labor)

SURFACES

12 years
 Laminates, wood veneer and solid surface, RTI Steelcase Health components, all standard/vertical surface textiles (except Cognet™, Goode and Spritz) and the following seating textiles: BuzzZ, Chairman, Cognet, Connect, and Cognet Talk; Ology, Closeback, Hampstead, Playground, Reply, Shogun, Seating Wyl, Connect 3D, 3D Kiva, Jersey® Mesh, Owl Net, Reply™ Air Mesh, Elmotique and Elmotique Leather, Steelcase Leather

5 years
 Bio Prep, Dura, Cognet Goode Seating, Cognet Vertical and Cognet Table, Curaker™, Cappi-Cradle to Cradle™, Justice, Line™, Nighthawk, Reskern, Flexion, Restive, Sorbis, Spyder, Steelcase Y6s, Turnstone Collection by Design™, Zee®, glass surfaces, paint colorfastness, Steelcase Health wood finish

3 years
 Vinyl wrapped surfaces and acrylic

AMERICAS

Thank You

Steelcase